

RUBICON
LIGHTING

MIRA SURFACE





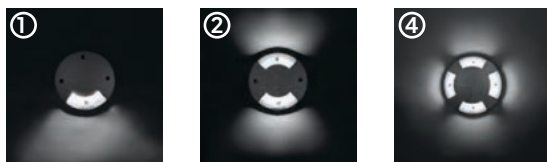
Features:

- Efficacy Of Up To 112lm/W*
- Multiple Light Distribution Options
- Minimum Lumen Maintenance: 50 000h (L70B30)



Power Supply:	220-240V AC 50 - 60Hz					
Colour Rendering Index:	CRI 75+					
Colour Consistency:	3-Step MacAdam					
Colour Temperature: (Kelvin / CCT)	● 3000K ● 4000K					
Installation Type:	Surface Mounted					
IK Rating:	IK10					
Ingress Protection:	IP65					
Luminaire Colour:	● Grey					
Material:	Body - Aluminium Diffuser - Polycarbonate					
	Dimensions	Light Distribution	Wattage (System)	CRI	Kelvin	Luminous Flux (Effective)
	Ø130mm x 20mm	1	1.5W	75+	4000K	168Lm*
	Ø130mm x 20mm	2	3W	75+	4000K	336Lm*
	Ø130mm x 20mm	4	6W	75+	4000K	670Lm*

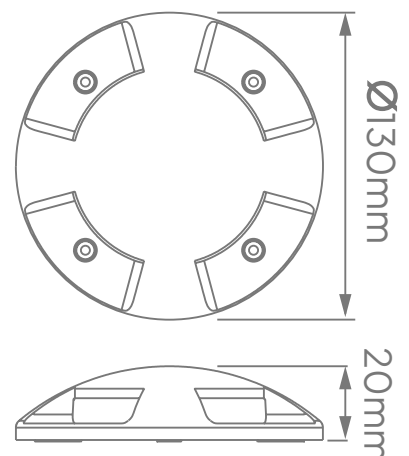
Light Distribution Options:



3000K Diffuser



Dimensions:



*E & O.E (Errors And Omissions Excepted)

*Due to the rapid development in LED technology the performance values, power consumption and lumen output levels stated above are subject to change without prior notice.

*All lumen outputs stated above are based a nominal output that included a 10% light loss, this can vary depending on the optic used.

Contact

Cape Town

1B Hansen Close,
Richmond Park,
Cape Town
T. +27 21 555 0570

Durban

Unit L, Nandi Park,
34 Brickworks Way
Briardene
T. +27 31 001 2964

Namibia – Windhoek

Unit 2, Tesoro Building,
31 TV More Street
Windhoek
T. +264 61 40 0339

Johannesburg

17 Galaxy Road,
Unit 5A Galaxy Park,
Linbro Park
T. +27 11 262 5179

Port Elizabeth

216 Main Road,
Walmer
Port Elizabeth
T. +27 41 451 4359