

RUBICON
LIGHTING

MINI LEAN





Features:

- Efficacy Of Up To 122lm/W*
- Tilt And Rotate Action
- New Gen-6 COB
- Passive Cooling
- Minimum Lumen Maintenance: 50 000h (L80B10)



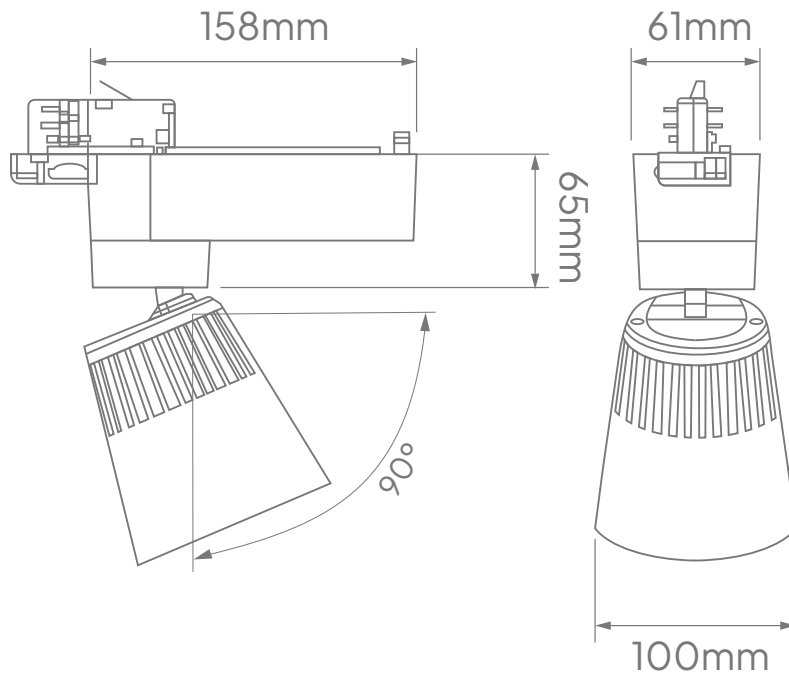
Power Supply:	220-240V AC 50 - 60Hz					
Operating Temperature Range: (Ta - Ambient)	- 20°C to 35°C					
Dimming:	Dali (On Request)					
Colour Rendering Index:	CRI 80+ _ CRI 90+					
Colour Consistency:	2-Step MacAdam					
Colour Temperature: (Kelvin / CCT)	<input type="radio"/> 2700K <input type="radio"/> 3500K <input type="radio"/> 5000K <input type="radio"/> 3000K <input type="radio"/> 4000K					
Beam Angle:	15° _ 20° _ 30° _ 50°					
Installation Type:	3-Phase Track					
Ingress Protection:	IP20					
Luminaire Colour:	<input type="radio"/> White <input type="radio"/> Black <input type="radio"/> Silver					
Material:	Housing - Powder Coated Die-Cast Aluminium Diffuser - Clear Protective Glass					
	Dimensions		Wattage (System)	CRI	Kelvin	Luminous Flux (Effective)
	158mm x 100mm	450mA	17W	80+	3000K	2425Lm*
	158mm x 100mm	450mA	17W	90+	4000K	2125Lm*
	158mm x 100mm	650mA	25W	80+	3000K	3350Lm*
	158mm x 100mm	650mA	25W	90+	4000K	2925Lm*
	158mm x 100mm	900mA	35W	80+	3000K	4300Lm*
	158mm x 100mm	900mA	35W	90+	4000K	3750Lm*

*E & O.E (Errors And Omissions Excepted)

*Due to the rapid development in LED technology the performance values, power consumption and lumen output levels stated above are subject to change without prior notice.

*All lumen outputs stated above are based a nominal output that included a 10% light loss, this can vary depending on the optic used.

Dimensions:



*E & O.E (Errors And Omissions Excepted)

*Due to the rapid development in LED technology the performance values, power consumption and lumen output levels stated above are subject to change without prior notice.

*All lumen outputs stated above are based a nominal output that included a 10% light loss, this can vary depending on the optic used.

Contact

Cape Town

1B Hansen Close,
Richmond Park,
Cape Town
T. +27 21 555 0570

Durban

Unit L, Nandi Park,
34 Brickworks Way
Briardene
T. +27 31 001 2964

Namibia – Windhoek

Unit 2, Tesoro Building,
31 TV More Street
Windhoek
T. +264 61 40 0339

Johannesburg

17 Galaxy Road,
Unit 5A Galaxy Park,
Linbro Park
T. +27 11 262 5179

Port Elizabeth

216 Main Road,
Walmer
Port Elizabeth
T. +27 41 451 4359