

RUBICON
LIGHTING

Metropolis WeatherProof





Features:

- Efficacy Of Up To 138lm/W*
- Interchangeable SMD Led Gear Tray
- THD At Full Power: < 10%
- Chemical And Impact Resistance
- Emergency Backup Option Available (On Request)
- Minimum Lumen Maintenance: 50 000h (L80B10)



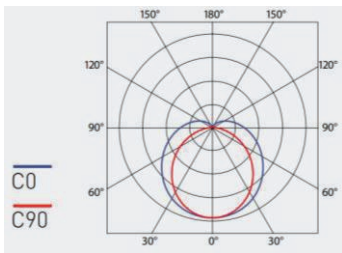
Power Supply:	207 - 253V AC 50 - 60Hz				
Operating Temperature Range: (Ta - Ambient)	- 20°C to 35°C				
Colour Rendering Index:	CRI 80+				
Dimming:	Dali_1-10V (On Request)				
Colour Consistency:	3-Step MacAdam				
Colour Temperature: (Kelvin / CCT)	<input checked="" type="radio"/> 3000K <input type="radio"/> 5000K <input type="radio"/> 4000K				
Beam Angle:	110°				
Installation Type:	Suspended - Chain or wire rope Surface - Surface mount clip or wall mount swivel bracket				
Ingress Protection:	IP66				
IK Rating:	IK08				
Luminaire Colour:	<input checked="" type="radio"/> Light Grey				
Material:	Diffuser - Translucent polycarbonate (PC), UV stable, impact resistant Body - Grey polycarbonate (PC), UV stable, impact resistant Clips - Polyamide (PA) + 15 % glass fibre or stainless steel & polyamide (PA) Body Seal - Polyurethane (PUR), foamed body groove Cable Glands: Screwed PG 13,5, or rubber (SBS)				
	Dimensions	Wattage (System)	CRI	Kelvin	Luminous Flux (Effective)
	1272mm x 100mm x 100mm	36W	80+	4000K	4805Lm*
	1272mm x 100mm x 100mm	53W	80+	4000K	6676Lm*
	1572mm x 100mm x 100mm	45W	80+	4000K	6008Lm*
	1572mm x 100mm x 100mm	66W	80+	4000K	8346Lm*

*E & O.E (Errors And Omissions Excepted)

*Due to the rapid development in LED technology the performance values, power consumption and lumen output levels stated above are subject to change without prior notice.

*All lumen outputs stated above are based a nominal output that included a 10% light loss, this can vary depending on the optic used.

Light Distribution:



Installation Options:

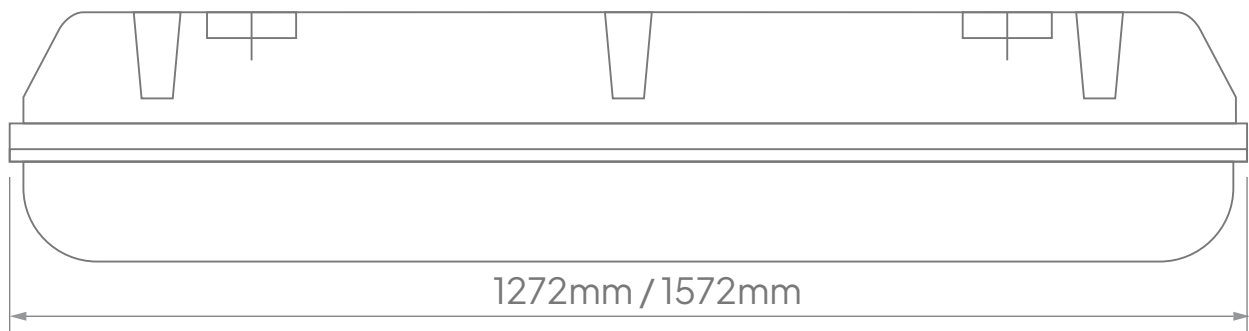
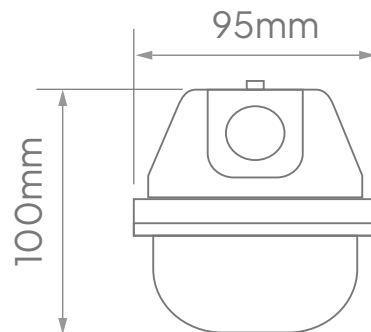


Surface & Suspension



Wall Mount

Dimensions:



*E & O.E (Errors And Omissions Excepted)

*Due to the rapid development in LED technology the performance values, power consumption and lumen output levels stated above are subject to change without prior notice.

*All lumen outputs stated above are based a nominal output that included a 10% light loss, this can vary depending on the optic used.

Contact

Cape Town

1B Hansen Close,
Richmond Park,
Cape Town
T. +27 21 555 0570

Durban

Unit L, Nandi Park,
34 Brickworks Way
Briardene
T. +27 31 001 2964

Namibia – Windhoek

Unit 2, Tesoro Building,
31 TV More Street
Windhoek
T. +264 61 40 0339

Johannesburg

17 Galaxy Road,
Unit 5A Galaxy Park,
Linbro Park
T. +27 11 262 5179

Port Elizabeth

216 Main Road,
Walmer
Port Elizabeth
T. +27 41 451 4359