

RUBICON
LIGHTING

METEOR





Features:

- Efficacy Of Up To 144lm/W*
- Bluetooth Control Option Available (On Request)
- Emergency Backup Option Available (On Request)
- New Gen-6 COB
- Passive Cooling
- Adjustable mA Driver (Dip Switches)
- Minimum Lumen Maintenance: 50 000h (L80B10)



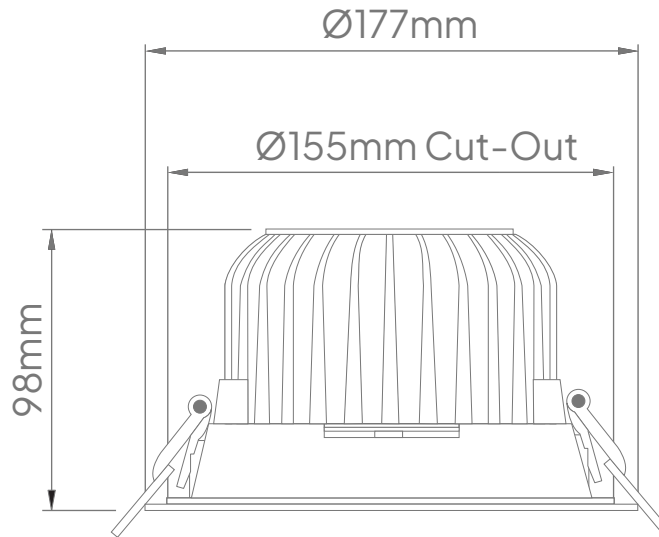
Power Supply:	220-240V AC 50 - 60Hz					
Operating Temperature Range: (Ta - Ambient)	- 20°C to 35°C					
Dimming:	Dali_1-10V (On Request)					
Colour Rendering Index:	CRI 80+ _ CRI 90+ _ CRI 97+					
Colour Consistency:	2-Step MacAdam					
Colour Temperature: (Kelvin / CCT)	<input type="radio"/> 2700K <input type="radio"/> 3500K <input type="radio"/> 5000K <input type="radio"/> 3000K <input type="radio"/> 4000K					
Beam Angle:	20° _ 24° _ 40° _ 60°					
Installation Type:	Recessed, Ceiling Mounted Luminaire					
Ingress Protection:	IP20					
Luminaire Colour:	<input type="radio"/> White <input type="radio"/> Black <input type="radio"/> Silver					
Material:	Housing - Powder Coated Aluminium Diffuser - Clear Protective Glass					
	Dimensions		Wattage (System)	CRI	Kelvin	Luminous Flux (Effective)
	Ø177mm x 98mm (Ø155mm Cut-Out)	650mA	25W	80+	3000K	3700Lm*
	Ø177mm x 98mm (Ø155mm Cut-Out)	650mA	25W	80+	4000K	3800Lm*
	Ø177mm x 98mm (Ø155mm Cut-Out)	650mA	25W	90+	3500K	3050Lm*
	Ø177mm x 98mm (Ø155mm Cut-Out)	1050mA	40W	80+	3000K	5625Lm*
	Ø177mm x 98mm (Ø155mm Cut-Out)	1050mA	40W	80+	4000K	5775Lm*
	Ø177mm x 98mm (Ø155mm Cut-Out)	1050mA	40W	90+	3500K	4650Lm*

*E & O.E (Errors And Omissions Excepted)

*Due to the rapid development in LED technology the performance values, power consumption and lumen output levels stated above are subject to change without prior notice.

*All lumen outputs stated above are based a nominal output that included a 10% light loss, this can vary depending on the optic used.

Dimensions:



*E & O.E (Errors And Omissions Excepted)

*Due to the rapid development in LED technology the performance values, power consumption and lumen output levels stated above are subject to change without prior notice.

*All lumen outputs stated above are based a nominal output that included a 10% light loss, this can vary depending on the optic used.

Contact

Cape Town

1B Hansen Close,
Richmond Park,
Cape Town
T. +27 21 555 0570

Durban

Unit L, Nandi Park,
34 Brickworks Way
Briardene
T. +27 31 001 2964

Namibia – Windhoek

Unit 2, Tesoro Building,
31 TV More Street
Windhoek
T. +264 61 40 0339

Johannesburg

17 Galaxy Road,
Unit 5A Galaxy Park,
Linbro Park
T. +27 11 262 5179

Port Elizabeth

216 Main Road,
Walmer
Port Elizabeth
T. +27 41 451 4359