

**RUBICON**  
LIGHTING

**MAXIMUS  
SQUARE  
RGB**





**Features:**

- Inox AISI 316 Stainless Steel
- Coastal Quality
- Adjustable Beam Tilt
- Minimum Lumen Maintenance: 50 000h (L70B30)



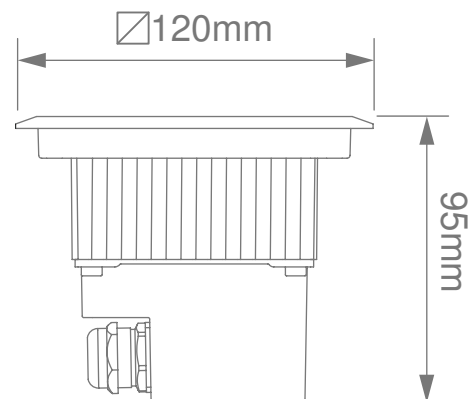
<b>Power Supply:</b>	24V DC		
<b>LED-Module</b>	RGB		
<b>Installation Type:</b>	Recessed, Ground		
<b>Beam Angle:</b>	16° _ 34° Diffuser Filter		
<b>Ingress Protection:</b>	IP67		
<b>IK Rating:</b>	IK10		
<b>Dimensions:</b>	120mm x 120mm x 95mm		
<b>Material:</b>	Body - Stainless Steel & Aluminium Diffuser - Tempered Glass		
	<b>Dimensions</b>	<b>Wattage (System)</b>	<b>Luminous Flux (Effective)</b>
	120mm x 120mm x 95mm	6W	240Lm*

***\*RGB control unit required, please see next page.***

**Includes:**



**Dimensions:**



*\*E & O.E ( Errors And Omissions Excepted )*

*\*Due to the rapid development in LED technology the performance values, power consumption and lumen output levels stated above are subject to change without prior notice.*

*\*All lumen outputs stated above are based a nominal output that included a 10% light loss, this can vary depending on the optic used.*

**MASTER RGB**

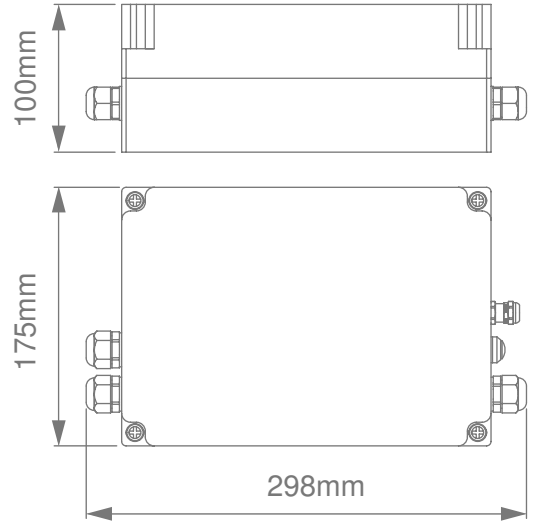
IP56  
rating

**Features:**

- Multi-Voltage Electronic Gear Included
- Colour Selection Remote Control Included



**Dimensions:**



**150W**

**SLAVE RGB**

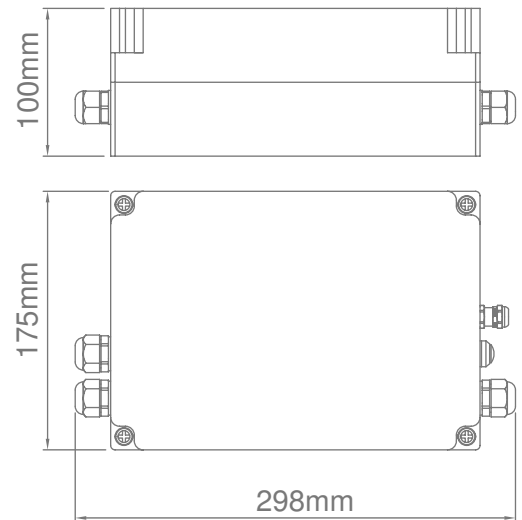
IP56  
rating

**Features:**

- Multi-Voltage Electronic Gear Included
- Colour Selection Remote Control Included



**Dimensions:**



**150W**

\*E & O.E ( Errors And Omissions Excepted )

\*Due to the rapid development in LED technology the performance values, power consumption and lumen output levels stated above are subject to change without prior notice.

# Contact

## Cape Town

1B Hansen Close,  
Richmond Park,  
Cape Town  
T. +27 21 555 0570

## Durban

Unit L, Nandi Park,  
34 Brickworks Way  
Briardene  
T. +27 31 001 2964

## Namibia - Windhoek

Unit 2, Tesoro Building,  
31 TV More Street  
Windhoek  
T. +264 61 40 0339

## Johannesburg

17 Galaxy Road,  
Unit 5A Galaxy Park,  
Linbro Park  
T. +27 11 262 5179

## Port Elizabeth

216 Main Road,  
Walmer  
Port Elizabeth  
T. +27 41 451 4359