

RUBICON
LIGHTING

**MAXIMUS ROUND
RGB 180**





Features:

- Inox AISI 316 Stainless Steel
- Coastal Quality
- Adjustable Beam Tilt
- Minimum Lumen Maintenance: 50 000h (L70B30)



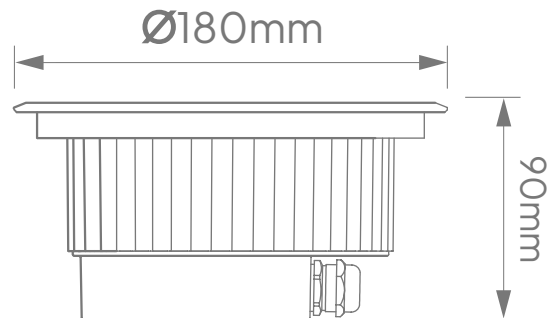
Power Supply:	24V DC		
LED-Module	RGB		
Installation Type:	Recessed, Ground		
Beam Angle:	16° _ 34° Diffuser Filter		
Ingress Protection:	IP67		
IK Rating:	IK10		
Dimensions:	Ø180mm x 90mm		
Material:	Body - Stainless Steel & Aluminium Diffuser - Tempered Glass		
	Dimensions	Wattage (System)	Luminous Flux (Effective)
	Ø180mm x 90mm	11W	490Lm*

**RGB control unit required, please see next page.*

Includes:



Dimensions:



*E & O.E (Errors And Omissions Excepted)

*Due to the rapid development in LED technology the performance values, power consumption and lumen output levels stated above subject to change without prior notice.

*All lumen outputs stated above are based a nominal output that included a 10% light loss, this can vary depending on the op

MASTER RGB

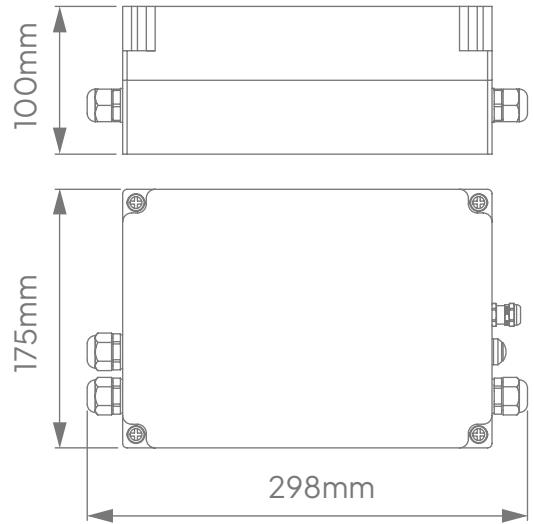
IP56
rating

Features:

- Multi-Voltage Electronic Gear Included
- Colour Selection Remote Control Included



Dimensions:



150W

SLAVE RGB

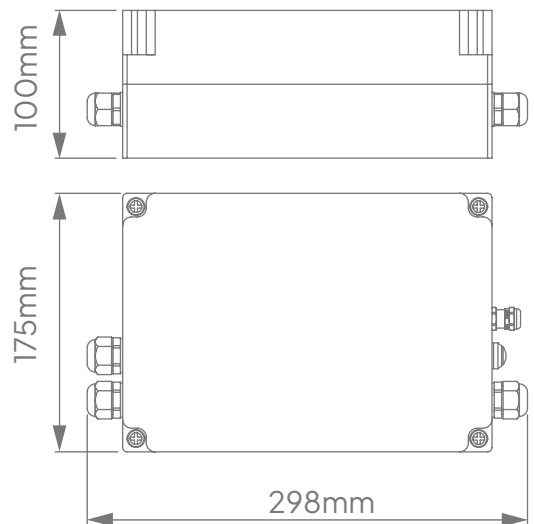
IP56
rating

Features:

- Multi-Voltage Electronic Gear Included
- Colour Selection Remote Control Included



Dimensions:



150W

*E & O.E (Errors And Omissions Excepted)

*Due to the rapid development in LED technology the performance values, power consumption and lumen output levels stated above are subject to change without prior notice.

*All lumen outputs stated above are based a nominal output that included a 10% light loss, this can vary depending on the optic used.

Contact

Cape Town

1B Hansen Close,
Richmond Park,
Cape Town
T. +27 21 555 0570

Durban

Unit L, Nandi Park,
34 Brickworks Way
Briardene
T. +27 31 001 2964

Namibia – Windhoek

Unit 2, Tesoro Building,
31 TV More Street
Windhoek
T. +264 61 40 0339

Johannesburg

17 Galaxy Road,
Unit 5A Galaxy Park,
Linbro Park
T. +27 11 262 5179

Port Elizabeth

216 Main Road,
Walmer
Port Elizabeth
T. +27 41 451 4359