

RUBICON
LIGHTING

MARIA





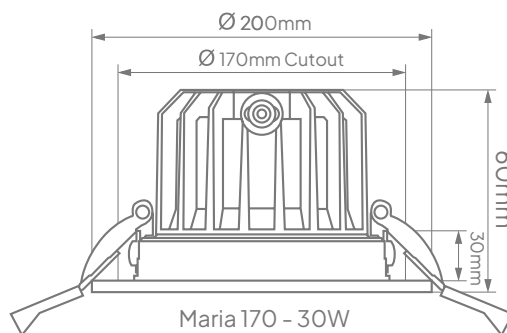
Features:

- Efficacy Of Up To 90lm/W*
- Passive Cooling
- External Driver
- Die-Cast Housing Heatsink
- Power Factor > 0.9
- Minimum Lumen Maintenance: 50 000h (L80B10)



Power Supply:	220 - 240V AC 50 - 60Hz				
Operating Temperature Range: (Ta - Ambient)	- 20°C to 35°C				
Dimming:	Dali_1-10V (On Request)				
Colour Rendering Index:	CRI 80+ _ CRI 90+				
Colour Consistency:	3-Step MacAdam				
Colour Temperature: (Kelvin / CCT)	<input checked="" type="radio"/> 3000K <input type="radio"/> 4000K				
Beam Angle:	45°(10 - 20W)_ 60°(30 - 40W)				
Installation Type:	Recessed, Ceiling Mounted Luminaire				
Ingress Protection:	IP20				
Luminaire Colour:	<input type="radio"/> White				
Material:	Housing - Powder Coated Aluminium				
	Dimensions	Wattage (System)	CRI	Kelvin	Luminous Flux (Effective)
	Ø100mm x 60mm (Ø80mm Cut-Out)	10W	80+	4000K	800Lm*
	Ø130mm x 60mm (Ø110mm Cut-Out)	15W	80+	4000K	1200Lm*
	Ø170mm x 60mm (Ø150mm Cut-Out)	20W	80+	4000K	1850Lm*
	Ø200mm x 60mm (Ø170mm Cut-Out)	30W	80+	4000K	2700Lm*
	Ø230mm x 60mm (Ø200mm Cut-Out)	40W	80+	4000K	3500Lm*

Dimensions:



*E & O.E (Errors And Omissions Excepted)

*Due to the rapid development in LED technology the performance values, power consumption and lumen output levels stated above are subject to change without prior notice.

*All lumen outputs stated above are based a nominal output that included a 10% light loss, this can vary depending on the optic used.

Contact

Cape Town

1B Hansen Close,
Richmond Park,
Cape Town
T. +27 21 555 0570

Durban

Unit L, Nandi Park,
34 Brickworks Way
Briardene
T. +27 31 001 2964

Namibia – Windhoek

Unit 2, Tesoro Building,
31 TV More Street
Windhoek
T. +264 61 40 0339

Johannesburg

17 Galaxy Road,
Unit 5A Galaxy Park,
Linbro Park
T. +27 11 262 5179

Port Elizabeth

216 Main Road,
Walmer
Port Elizabeth
T. +27 41 451 4359