

RUBICON
LIGHTING

LUCIA





Features:

- Efficacy Of Up To 122lm/W*
- 30° Adjustable Body Tilt
- Dali Control Available (On Request)
- Minimum Lumen Maintenance: 50 000h (L80B10)



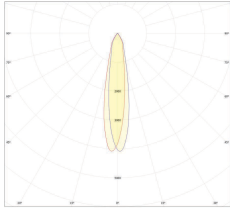
Power Supply:	207 - 253V AC 50 - 60Hz				
Operating Temperature Range: (Ta - Ambient)	-20°C to 35°C				
Colour Rendering Index:	CRI 80+ _ CRI 90+				
Dimming:	Dali (On Request)				
Colour Temperature: (Kelvin / CCT)	<input checked="" type="radio"/> 3000K <input type="radio"/> 5000K <input type="radio"/> 4000K				
Beam Angle:	15° _ 30°(standard)_ 45°				
Installation Type:	Recessed, Ceiling Mounted Luminaire				
Ingress Protection:	IP44				
Baffle Colour Options:	<input type="radio"/> Gloss White <input type="radio"/> Matt White <input type="radio"/> Matt Silver <input checked="" type="radio"/> Black				
Luminaire Colour:	<input type="radio"/> White <input checked="" type="radio"/> Black <input type="radio"/> Custom Colours Available On Request				
Material:	Housing - Powder coated die-cast aluminium housing Reflector - Faceted metalized injection moulded reflector				
	Dimensions	Wattage (System)	CRI	Kelvin	Luminous Flux (Effective)
	Ø90mm x 80mm (Ø72mm Cut-Out)	10W	80+	4000K	1586Lm*
	Ø110mm x 110mm (Ø93mm Cut-Out)	20W	80+	4000K	2459Lm*
	Ø140mm x 132mm (Ø117mm Cut-Out)	30W	80+	4000K	4116Lm*

*E & O.E (Errors And Omissions Excepted)

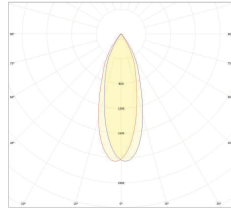
*Due to the rapid development in LED technology the performance values, power consumption and lumen output levels stated above are subject to change without prior notice.

*All lumen outputs stated above are based a nominal output that included a 10% light loss, this can vary depending on the optic used.

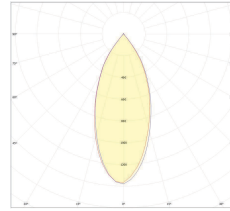
Light Distribution:



15°

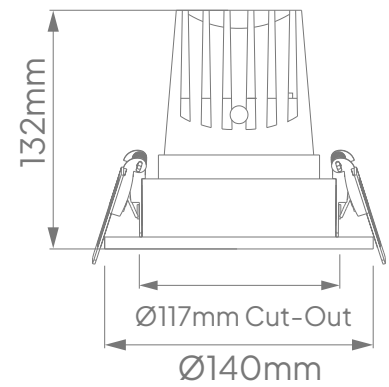
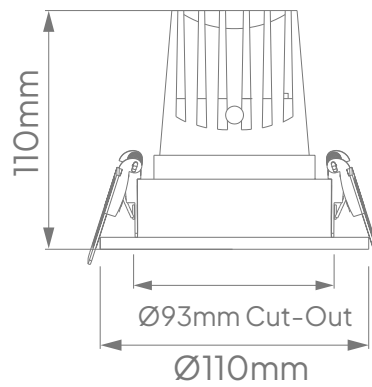
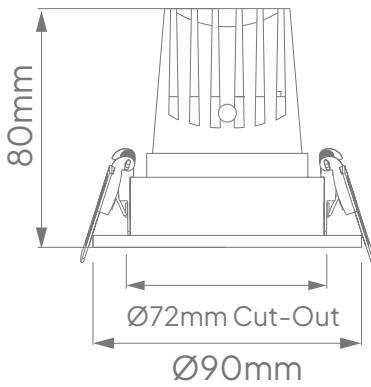


30° (Standard)



45°

Dimensions:



*E & O.E (Errors And Omissions Excepted)

*Due to the rapid development in LED technology the performance values, power consumption and lumen output levels stated above are subject to change without prior notice.

*All lumen outputs stated above are based a nominal output that included a 10% light loss, this can vary depending on the optic used.

Contact

Cape Town

1B Hansen Close,
Richmond Park,
Cape Town
T. +27 21 555 0570

Durban

Unit L, Nandi Park,
34 Brickworks Way
Briardene
T. +27 31 001 2964

Namibia - Windhoek

Unit 2, Tesoro Building,
31 TV More Street
Windhoek
T. +264 61 40 0339

Johannesburg

17 Galaxy Road,
Unit 5A Galaxy Park,
Linbro Park
T. +27 11 262 5179

Port Elizabeth

216 Main Road,
Walmer
Port Elizabeth
T. +27 41 451 4359