

RUBICON
LIGHTING

Linear Lighting



CONTENTS

Linear Lighting (3-21)



Arosa II



Proximus



Light Frame 40
Surface & Suspension



Light Frame 40
Recessed



Light Frame 55
Recessed



Light Frame 55
Surface & Suspension



Light Frame 55x80
Surface & Suspension



Light Frame 80
Recessed



Light Frame 80
Surface & Suspension



Light Frame 100
Surface & Suspension

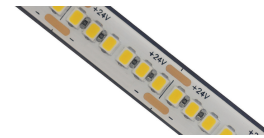


Hexo



Phobos

Plug And Play (22-30)



600LM
LED Strip



1200LM
LED Strip



2000LM
LED Strip



LF 5



LF5 HP



LF 18



LF 18
FLAT



LF 18 Flat
Recessed



LF 20



LF 45



LF 45 Tab



Features:

- Efficacy Of Up To 105Lm/W*
- Innovative Lighting Solution For A T Grid Ceiling System
- Compatible With Various Tile Edges On 15mm And 24mm T Bars
- Lightweight & Easy Installation
- UGR<16 (Black Reflector)
- Constant Voltage
- Minimum Lumen Maintenance: 50 000h (L80B10)

Ordering Example: Product Name/CRI/Kelvin/Length/Reflector/Wattage (e.g. ArosaII/80/3000/600/BR/13W)



Input Power	LED-Modules	Reflector	Installation Type	Material	Beam Angles	Kelvin
DC 48V	CRI 80+	Prismatic Diffuser (PD) Black Reflector (BR) White Reflector (WR)	T-Grid Suspension	Extruded Aluminium	Standard (PD) - 90° Optional (BR & WR) - 30° 60°	3000K 4000K

Product Code	Length	K	W (System)	LM (System)
Arosa/PD/600/3000/13W	600mm	3000K	13W	1200Lm*
Arosa/PD/600/4000/13W	600mm	4000K	13W	1280Lm*
Arosa/PD/1200/3000/26W	1200mm	3000K	26W	2400Lm*
Arosa/PD/1200/4000/26W	1200mm	4000K	26W	2600Lm*
Arosa/BR/600/3000/13W	600mm	3000K	13W	1200Lm*
Arosa/BR/600/4000/13W	600mm	4000K	13W	1280Lm*
Arosa/BR/1200/3000/26W	1200mm	3000K	26W	2400Lm*
Arosa/BR/1200/4000/26W	1200mm	4000K	26W	2600Lm*
Arosa/WR/600/3000/13W	600mm	3000K	13W	1300Lm*
Arosa/WR/600/4000/13W	600mm	4000K	13W	1400Lm*
Arosa/WR/1200/3000/26W	1200mm	3000K	26W	2600Lm*
Arosa/WR/1200/4000/26W	1200mm	4000K	26W	2800Lm*

REFLECTOR OPTIONS:



Prismatic Diffuser (PD)



Black Reflector (BR)



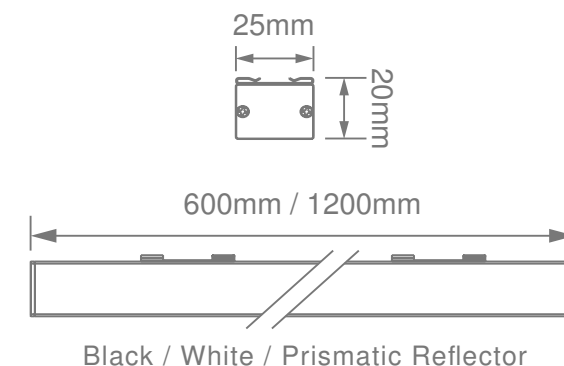
White Reflector (WR)

Maximum Running Length Per Driver

 Arosa 600mm:
6 Fittings From One PSU (120W)

 Arosa 1200mm:
4 Fittings From One PSU (120W)

Dimensions:



Black / White / Prismatic Reflector

*All Lumen Outputs Stated Above Are Based A Nominal Output That Included A 10% Light Loss, This Can Vary Depending On The Optic Used.



Features:

- High Efficacy Of Up To 170Lm/W*
- Operating Range: -20~+40°
- UGR <16
- Variety Of Beam Patterns Available
- Modular Design And Easy Installation
- Minimum Lumen Maintenance: 50 000h (L80B10)

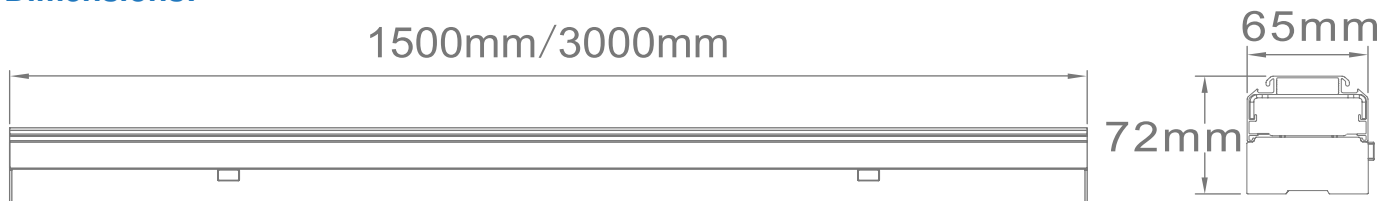


Ordering Example: Product Name/CRI/Kelvin/Length/Beam Angle/Luminaire Colour/Wattage (e.g. Proximus/80/4000/1500//90/W/48W)

Input Power	LED-Modules	Colour Consistency	Installation Type	Material	Beam Angles	Luminaire Colour	Kelvin
200-240 V	CRI 80+	4-Step MacAdam	Surface Mount Suspension Mount	Powder Coated Extruded Aluminium PMMA Diffuser	25° 60° 90° Asymmetric Double- Asymmetric	○ White (W)	● 3000K ● 4000K ● 5000K

Product Code	Dimensions	CRI	K	W (System)	LM (System)
Proximus/80/4000/33W	1500mm x 65mm x 72mm	80+	4000K	33W	5500Lm*
Proximus/80/4000/48W	1500mm x 65mm x 72mm	80+	4000K	48W	8000Lm*
Proximus/80/4000/97W	3000mm x 65mm x 72mm	80+	4000K	97W	16000Lm*
Proximus/80/4000/127W	3000mm x 65mm x 72mm	80+	4000K	127W	21000Lm*

Dimensions:



*All Lumen Outputs Stated Above Are Based A Nominal Output That Included A 10% Light Loss, This Can Vary Depending On The Optic Used.



Features:

- UV Stable PMMA Opal Diffuser
- Minimum Lumen Maintenance: 54 000h (L90B10)



Ordering Example: Product Name/CRI/Kelvin/Length/Installation/Luminaire Colour/Beam Angle/Wattage (e.g. LightFrame40/80/4000/600/SUS/B/110/19W)

Input Power	LED-Modules	Colour Consistency	Installation Type	Material	Beam Angle	Luminaire Colour
220-240 V	CRI 80+	3-Step MacAdam	Surface Mounted (SUR) Suspension Mounted (SUS)	Powder Coated Extruded Aluminium PMMA Opal Diffuser	110°	<input type="radio"/> White (W) <input checked="" type="radio"/> Black (B) <input type="radio"/> Alu Anodised (A) (Custom Colours Available On Request)

Product Code	Dimensions	CRI	K	W (System)	LM (System)
--------------	------------	-----	---	------------	-------------

Low Power

LightFrame40/80/600/4000/13W	600mm x 40mm x 40mm	80+	4000K	13W	2042Lm*
LightFrame40/80/880/4000/19W	880mm x 40mm x 40mm	80+	4000K	19W	3063Lm*
LightFrame40/80/1160/4000/26W	1160mm x 40mm x 40mm	80+	4000K	26W	4084Lm*
LightFrame40/80/1440/4000/33W	1440mm x 40mm x 40mm	80+	4000K	33W	5240Lm*

Medium Power

LightFrame40/80/600/4000/19W	600mm x 40mm x 40mm	80+	4000K	19W	2785Lm*
LightFrame40/80/880/4000/29W	880mm x 40mm x 40mm	80+	4000K	29W	4178Lm*
LightFrame40/80/1160/4000/38W	1160mm x 40mm x 40mm	80+	4000K	38W	5570Lm*
LightFrame40/80/1440/4000/48W	1440mm x 40mm x 40mm	80+	4000K	48W	6963Lm*

Kelvin Options Available:

- 3000K
- 4000K
- 5000K

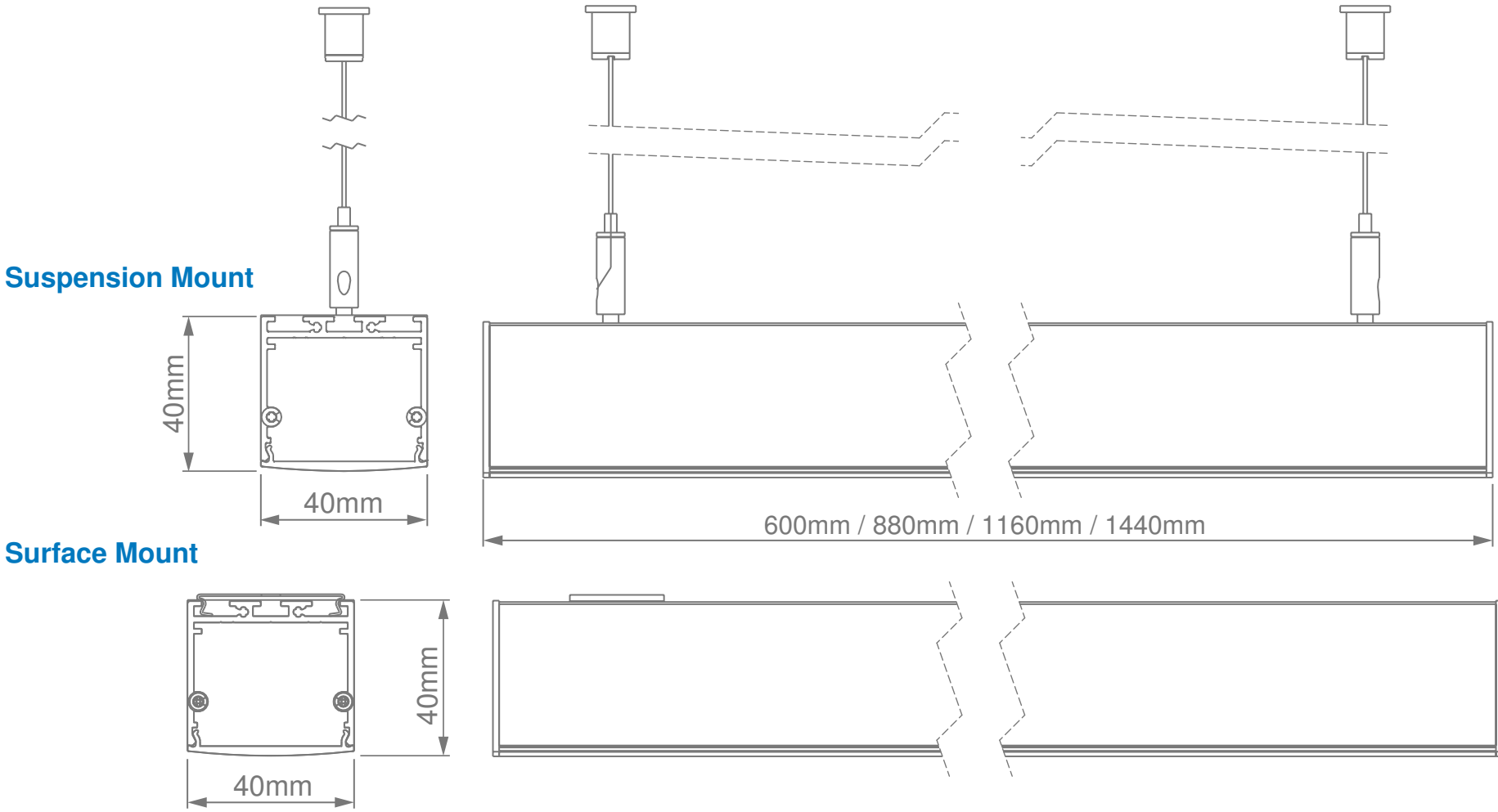
*All Lumen Outputs Stated Above Are Based A Nominal Output That Included A 10% Light Loss, This Can Vary Depending On The Optic Used.

Product Code	Dimensions	CRI	K	W (System)	LM (System)
--------------	------------	-----	---	------------	-------------

High Power

LightFrame40/600/4000/24W	600mm x 40mm x 40mm	80+	4000K	24W	4100Lm*
LightFrame40/880/4000/36W	880mm x 40mm x 40mm	80+	4000K	36W	6150Lm*
LightFrame40/1160/4000/48W	1160mm x 40mm x 40mm	80+	4000K	48W	8200Lm*
LightFrame40/1440/4000/56W	1440mm x 40mm x 40mm	80+	4000K	56W	10250Lm*

Dimensions:



*All Lumen Outputs Stated Above Are Based A Nominal Output That Included A 10% Light Loss, This Can Vary Depending On The Optic Used.



Features:

- UV Stable PMMA Opal Diffuser
- Minimum Lumen Maintenance: 50 000h (L80B10)



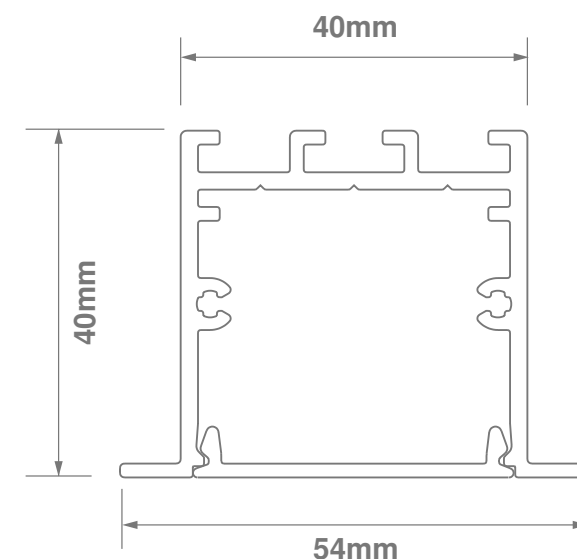
Ordering Example: Product Name/CRI/Length/Kelvin/Luminaire Colour/Wattage (e.g. LightFrame40R/80/600/4000/B/35W)

Input Power	LED- Modules	Colour Consistency	Installation Type	Material	Luminaire Colour	Kelvin
220 - 240V	CRI 80+ Constant Current	3-Step MacAdam	Recessed Mount	Extruded Aluminium	<input type="radio"/> White(W) <input type="radio"/> Black (B) <input type="radio"/> Alu Anodised (A)	<input type="radio"/> 3000K <input type="radio"/> 3500K <input type="radio"/> 4000K

(Custom Colours Available On Request)

Product Code	Dimensions	CRI	K	W (System)	LM (System)
LightFrame40R/600/4000/16W	600mm x 54mm x 40mm	80+	4000K	16W	2920Lm*
LightFrame40R/600/4000/24W	600mm x 54mm x 40mm	80+	4000K	24W	4100Lm*
LightFrame40R/880/4000/24W	880mm x 54mm x 40mm	80+	4000K	24W	4380Lm*
LightFrame40R/880/4000/36W	880mm x 54mm x 40mm	80+	4000K	36W	6150Lm*
LightFrame40R/1160/4000/32W	1160mm x 54mm x 40mm	80+	4000K	32W	5840Lm*
LightFrame40R/1160/4000/48W	1160mm x 54mm x 40mm	80+	4000K	48W	8200Lm*
LightFrame40R/1440/4000/40W	1440mm x 54mm x 40mm	80+	4000K	40W	7300Lm*
LightFrame40R/1440/4000/56W	1440mm x 54mm x 40mm	80+	4000K	56W	10250Lm*

Dimensions:



*Various Kelvin and CRI options available to suit project requirements, available on request.

*All Lumen Outputs Stated Above Are Based A Nominal Output That Included A 10% Light Loss, This Can Vary Depending On The Optic Used.



Features:

- UV Stable PMMA Opal Diffuser
- Minimum Lumen Maintenance: 54 000h (L90B10)

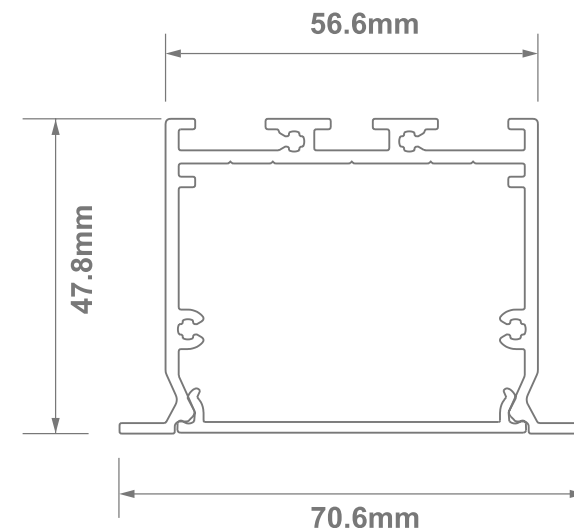


Ordering Example: Product Name/CRI/Length/Kelvin/Luminaire Colour/Wattage (e.g. LightFrame55R/80/600/4000/B/19W)

Input Power	LED-Modules	Colour Consistency	Installation	Material	Luminaire Colour	Kelvin
220-240 V	CRI 80+ Constant Current	3-Step MacAdam	Recessed Mount	Extruded Aluminium	<input type="radio"/> White(W) <input type="radio"/> Black (B) <input type="radio"/> Alu Anodised (A) (Custom Colours Available On Request)	<input type="radio"/> 3000K <input type="radio"/> 3500K <input type="radio"/> 4000K

Product Code	Dimensions	CRI	K	W (System)	LM (System)
LightFrame55R/600/4000/16W	600mm x 70.6mm x 47.8mm	80+	4000K	16W	2920Lm*
LightFrame55R/600/4000/24W	600mm x 70.6mm x 47.8mm	80+	4000K	24W	4100Lm*
LightFrame55R/880/4000/24W	880mm x 70.6mm x 47.8mm	80+	4000K	24W	4380Lm*
LightFrame55R/880/4000/36W	880mm x 70.6mm x 47.8mm	80+	4000K	36W	6150Lm*
LightFrame55R/1160/4000/32W	1160mm x 70.6mm x 47.8mm	80+	4000K	32W	5840Lm*
LightFrame55R/1160/4000/48W	1160mm x 70.6mm x 47.8mm	80+	4000K	48W	8200Lm*
LightFrame55R/1440/4000/40W	1440mm x 70.6mm x 47.8mm	80+	4000K	40W	7300Lm*
LightFrame55R/1440/4000/56W	1440mm x 70.6mm x 47.8mm	80+	4000K	56W	10250Lm*

Dimensions:



*Various Kelvin and CRI options available to suit project requirements, available on request.

*All Lumen Outputs Stated Above Are Based A Nominal Output That Included A 10% Light Loss, This Can Vary Depending On The Optic Used.



Features:

- UV Stable PMMA Opal Diffuser
- Minimum Lumen Maintenance: 54 000h (L90B10)



Ordering Example: Product Name/CRI/Length/Kelvin/Installation/Luminaire Colour/Wattage (e.g. LightFrame55/80/600/4000/SUS/B/16W)

Input Power	LED-Modules	Colour Consistency	Installation	Material	Luminaire Colour	Kelvin
220-240 V	CRI 80+ Constant Current	3-Step MacAdam	Surface Mounted (SUR) Suspension Mounted (SUS)	Extruded Aluminium	<input type="radio"/> White(W) <input type="radio"/> Black (B) <input type="radio"/> Alu Anodised (A)	<input type="radio"/> 3000K <input type="radio"/> 3500K <input type="radio"/> 4000K

(Custom Colours Available On Request)

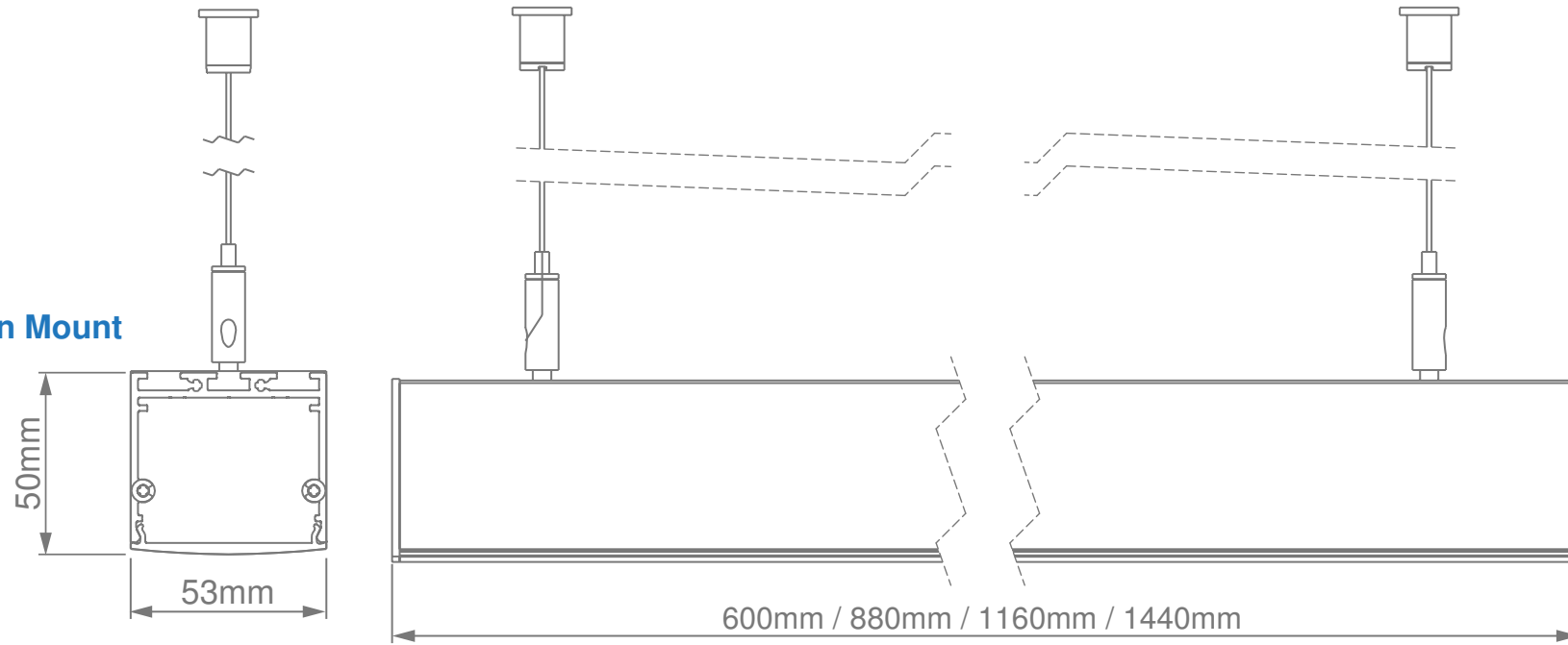
Product Code	Dimensions	CRI	K	W (System)	LM (System)
LightFrame55/600/4000/16W	600mm x 50mm x 53mm	80+	4000K	16W	2920Lm*
LightFrame55/600/4000/24W	600mm x 50mm x 53mm	80+	4000K	24W	4100Lm*
LightFrame55/880/4000/24W	880mm x 50mm x 53mm	80+	4000K	24W	4380Lm*
LightFrame55/880/4000/36W	880mm x 50mm x 53mm	80+	4000K	36W	6150Lm*
LightFrame55/1160/4000/32W	1160mm x 50mm x 53mm	80+	4000K	32W	5840Lm*
LightFrame55/1160/4000/48W	1160mm x 50mm x 53mm	80+	4000K	48W	8200Lm*
LightFrame55/1440/4000/40W	1440mm x 50mm x 53mm	80+	4000K	40W	7300Lm*
LightFrame55/1440/4000/56W	1440mm x 50mm x 53mm	80+	4000K	56W	10250Lm*

*Various Kelvin and CRI options available to suit project requirements, available on request.

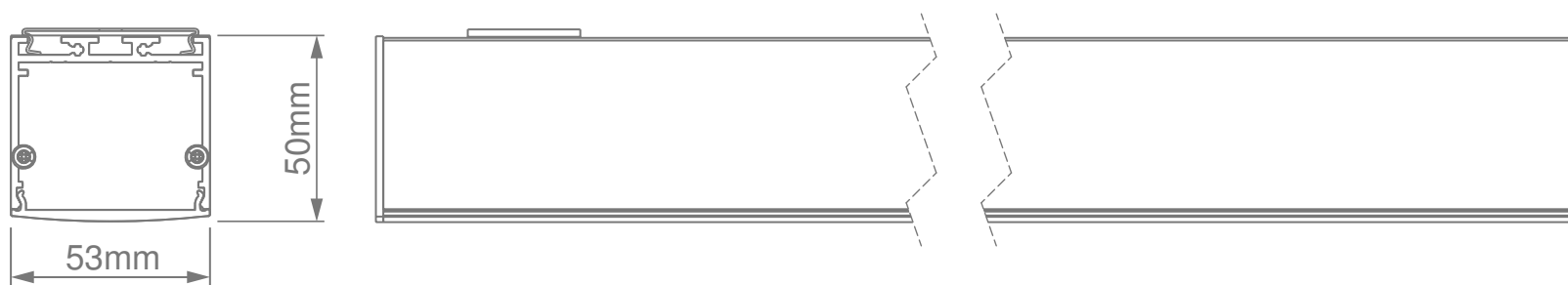
*All Lumen Outputs Stated Above Are Based A Nominal Output That Included A 10% Light Loss, This Can Vary Depending On The Optic Used.

Dimensions:

Suspension Mount



Surface Mount





Features:

- UV Stable PMMA Opal Diffuser
- Minimum Lumen Maintenance: 54 000h (L90B10)



Ordering Example: Product Name/CRI/Kelvin/Length/Mounting/Luminaire Colour/Wattage (e.g. LightFrame55x80/80/4000/600/SUS/B/13W)

Input Power	LED-Modules	Colour Consistency	Installation Type	Material	Beam Angle	Luminaire Colour
220-240 V	CRI 80+ Constant Current	3-Step MacAdam	Surface Mounted (SUR) Suspension Mounted (SUS)	Powder Coated Extruded Aluminium PMMA Opal Diffuser	110°	<input type="radio"/> White (W) <input checked="" type="radio"/> Black (B) <input type="radio"/> Alu Anodised (A) (Custom Colours Available On Request)

Product Code	Dimensions	CRI	K	W (System)	LM (System)
--------------	------------	-----	---	------------	-------------

Low Power

LightFrame55x80/600/4000/13W	600mm x 55mm x 80mm	80+	4000K	13W	2042Lm*
LightFrame55x80/880/4000/19W	880mm x 55mm x 80mm	80+	4000K	19W	3063Lm*
LightFrame55x80/1160/4000/26W	1160mm x 55mm x 80mm	80+	4000K	26W	4084Lm*
LightFrame55x80/1440/4000/33W	1440mm x 55mm x 80mm	80+	4000K	33W	5240Lm*

Medium Power

LightFrame55x80/600/4000/19W	600mm x 55mm x 80mm	80+	4000K	19W	2785Lm*
LightFrame55x80/880/4000/29W	880mm x 55mm x 80mm	80+	4000K	29W	4178Lm*
LightFrame55x80/1160/4000/38W	1160mm x 55mm x 80mm	80+	4000K	38W	5570Lm*
LightFrame55x80/1440/4000/48W	1440mm x 55mm x 80mm	80+	4000K	48W	6963Lm*

Kelvin Options Available:

- 3000K
- 4000K
- 5000K

*All Lumen Outputs Stated Above Are Based A Nominal Output That Included A 10% Light Loss, This Can Vary Depending On The Optic Used.

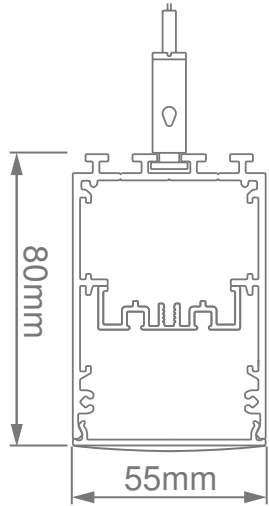
Product Code	Dimensions	CRI	K	W (System)	LM (System)
--------------	------------	-----	---	------------	-------------

High Power

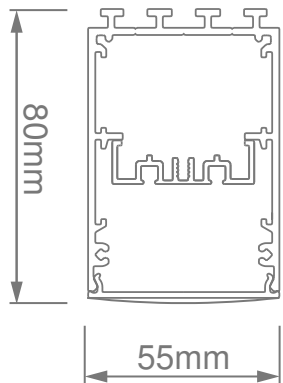
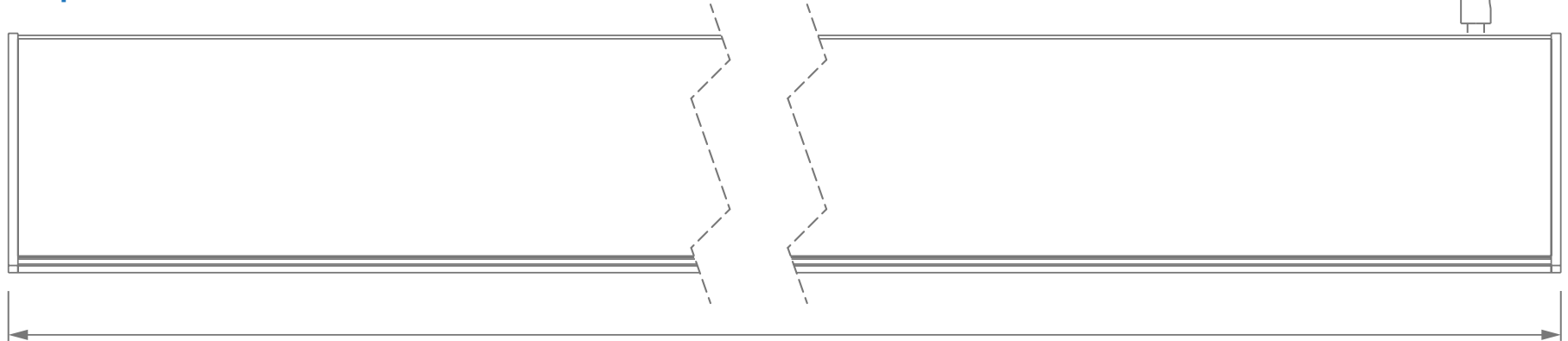
LightFrame55x80/600/4000/24W	600mm x 55mm x 80mm	80+	4000K	24W	4100Lm*
LightFrame55x80/880/4000/36W	880mm x 55mm x 80mm	80+	4000K	36W	6150Lm*
LightFrame55x80/1160/4000/48W	1160mm x 55mm x 80mm	80+	4000K	48W	8200Lm*
LightFrame55x80/1440/4000/56W	1440mm x 55mm x 80mm	80+	4000K	56W	10250Lm*

**All Lumen Outputs Stated Above Are Based A Nominal Output That Included A 10% Light Loss, This Can Vary Depending On The Optic Used.*

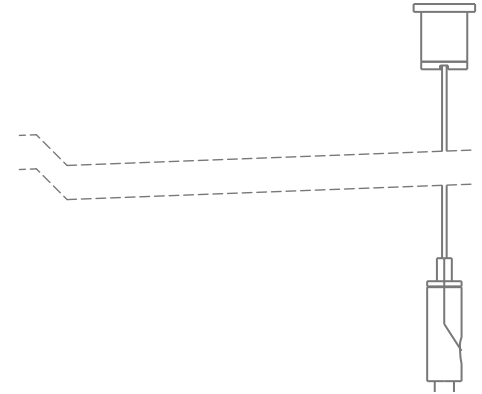
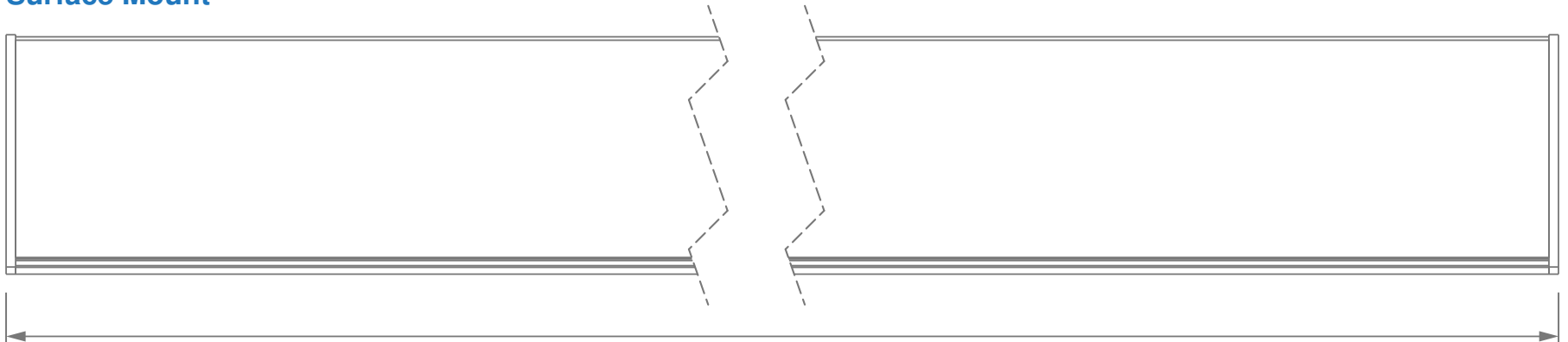
Dimensions:



Suspension Mount



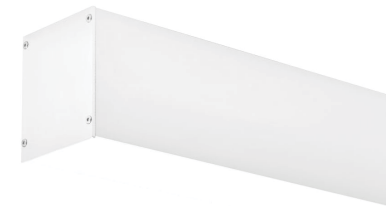
Surface Mount





Features:

- UV Stable PMMA Opal Diffuser
- Minimum Lumen Maintenance: 54 000h (L90B10)



Ordering Example: Product Name/CRI/Kelvin/Length/Mounting/Luminaire Colour/Wattage (e.g. LightFrame80H/80/4000/580/SUS/B/13W)

Input Power	LED-Modules	Colour Consistency	Installation Type	Material	Beam Angle	Luminaire Colour
220-240 V	CRI 80+ Constant Current	3-Step MacAdam	Surface Mounted (SUR) Suspension Mounted (SUS)	Powder Coated Extruded Aluminium PMMA Opal Diffuser	110°	<input type="radio"/> White (W) <input type="radio"/> Black (B) <input type="radio"/> Alu Anodised (A) (Custom Colours Available On Request)

Product Code	Dimensions	CRI	K	W (System)	LM (System)
--------------	------------	-----	---	------------	-------------

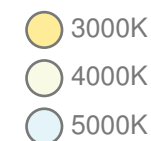
Low Power

LightFrame80H/580/4000/13W	580mm x 93mm x 80mm	80+	4000K	13W	2042Lm*
LightFrame80H/860/4000/19W	860mm x 93mm x 80mm	80+	4000K	19W	3063Lm*
LightFrame80H/1180/4000/26W	1180mm x 93mm x 80mm	80+	4000K	26W	4084Lm*
LightFrame80H/1420/4000/33W	1420mm x 93mm x 80mm	80+	4000K	33W	5240Lm*

Medium Power

LightFrame80H/580/4000/19W	580mm x 93mm x 80mm	80+	4000K	19W	2785Lm*
LightFrame80H/860/4000/29W	860mm x 93mm x 80mm	80+	4000K	29W	4178Lm*
LightFrame80H/1180/4000/38W	1180mm x 93mm x 80mm	80+	4000K	38W	5570Lm*
LightFrame80H/1420/4000/48W	1420mm x 93mm x 80mm	80+	4000K	48W	6963Lm*

Kelvin Options Available:



*All Lumen Outputs Stated Above Are Based A Nominal Output That Included A 10% Light Loss, This Can Vary Depending On The Optic Used.

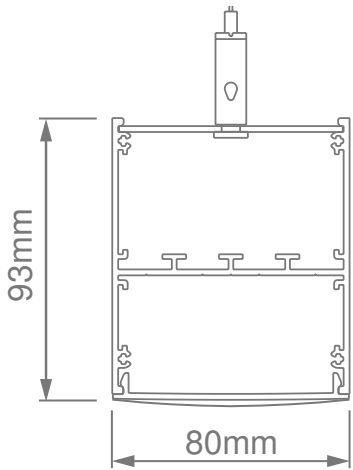
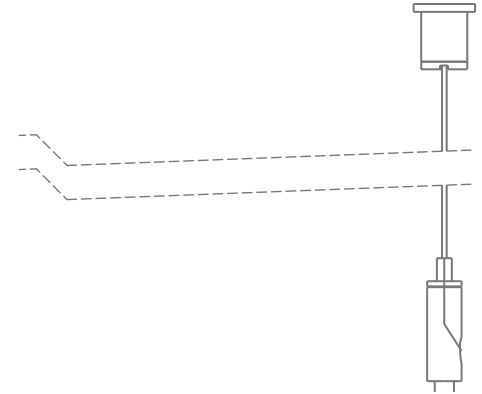
Product Code	Dimensions	CRI	K	W (System)	LM (System)
--------------	------------	-----	---	------------	-------------

High Power

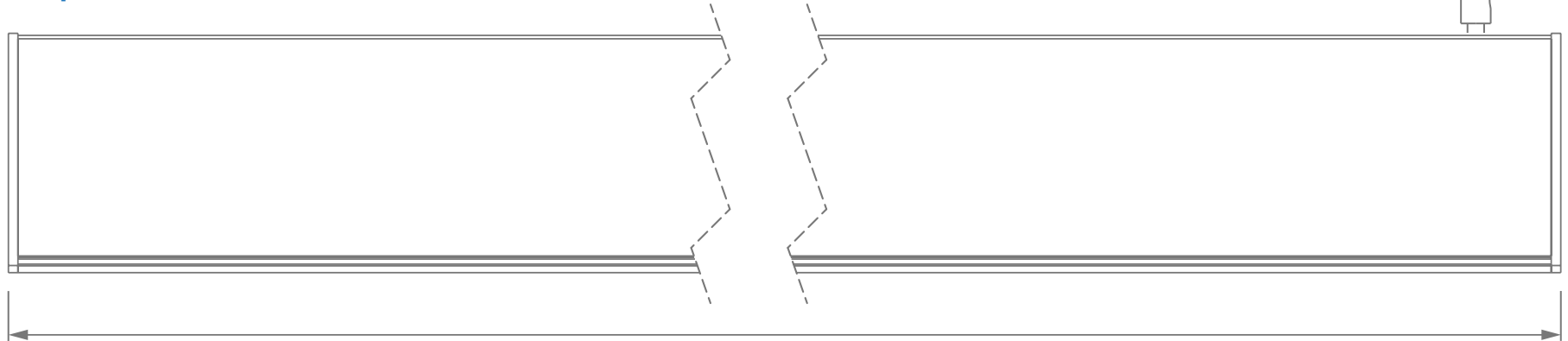
LightFrame80H/580/4000/24W	580mm x 93mm x 80mm	80+	4000K	24W	4100Lm*
LightFrame80H/860/4000/36W	860mm x 93mm x 80mm	80+	4000K	36W	6150Lm*
LightFrame80H/1180/4000/48W	1180mm x 93mm x 80mm	80+	4000K	48W	8200Lm*
LightFrame80H/1420/4000/56W	1420mm x 93mm x 80mm	80+	4000K	56W	10250Lm*

*All Lumen Outputs Stated Above Are Based A Nominal Output That Included A 10% Light Loss, This Can Vary Depending On The Optic Used.

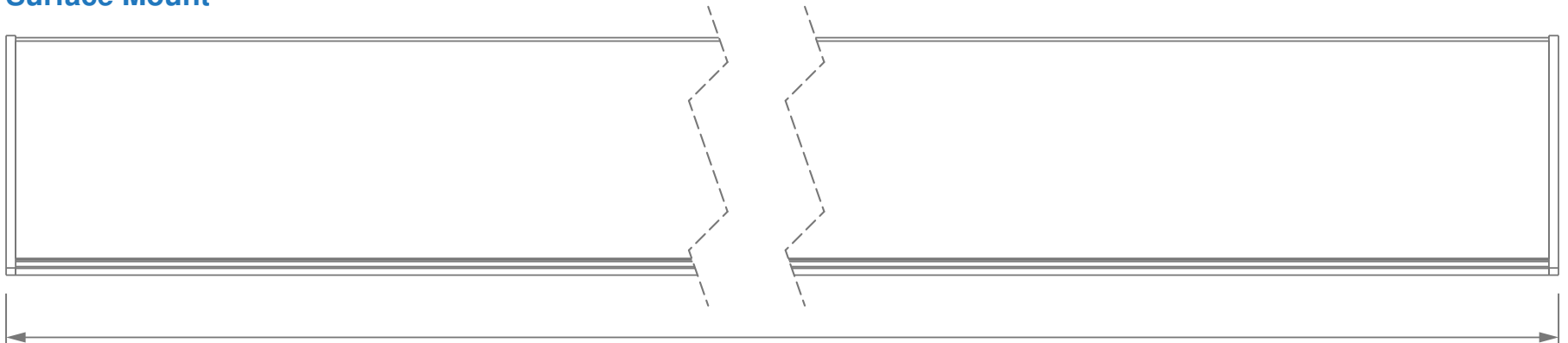
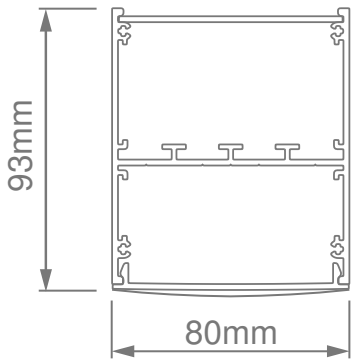
Dimensions:



Suspension Mount



Surface Mount



580mm / 860mm / 1180mm / 1420mm

580mm / 860mm / 1180mm / 1420mm



Features:

- UV Stable PMMA Opal Diffuser
- Minimum Lumen Maintenance: 54 000h (L90B10)



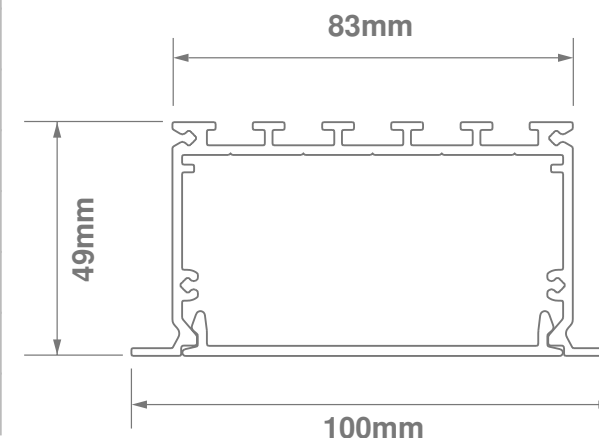
Ordering Example: Product Name/CRI/Kelvin/Length/Luminaire Colour/Wattage (e.g. LightFrame80R/80/4000/600/B/24W)

Input Power	LED-Modules	Colour Consistency	Installation Type	Material	Luminaire Colour	Kelvin
220-240 V	CRI 80+ Constant Current	3-Step MacAdam	Recessed Mount	Extruded Aluminium	<input type="radio"/> White (W) <input checked="" type="radio"/> Black (B) <input type="radio"/> Alu Anodised (A)	<input type="radio"/> 3000K <input checked="" type="radio"/> 3500K <input type="radio"/> 4000K

(Custom Colours Available On Request)

Product Code	Dimensions	CRI	K	W (System)	LM (System)
LightFrame80R/600/40/16W	600mm x 100mm x 49mm	80+	4000K	16W	2920Lm*
LightFrame80R/600/40/24W	600mm x 100mm x 49mm	80+	4000K	24W	4100Lm*
LightFrame80R/880/40/24W	880mm x 100mm x 49mm	80+	4000K	24W	4380Lm*
LightFrame80R/880/40/36W	880mm x 100mm x 49mm	80+	4000K	36W	6150Lm*
LightFrame80R/1160/40/32W	1160mm x 100mm x 49mm	80+	4000K	32W	5840Lm*
LightFrame80R/1160/40/48W	1160mm x 100mm x 49mm	80+	4000K	48W	8200Lm*
LightFrame80R/1440/40/40W	1440mm x 100mm x 49mm	80+	4000K	40W	7300Lm*
LightFrame80R/1440/40/56W	1440mm x 100mm x 49mm	80+	4000K	56W	10250Lm*

Dimensions:



*Various Kelvin and CRI options available to suit project requirements, available on request.

*All Lumen Outputs Stated Above Are Based A Nominal Output That Included A 10% Light Loss, This Can Vary Depending On The Optic Used.



Features:

- UV Stable PMMA Opal Diffuser
- Minimum Lumen Maintenance: 54 000h (L90B10)



Ordering Example: Product Name/CRI/Kelvin/Length/Mounting/Beam Angle/Luminaire Colour/Wattage (e.g. LightFrame80/80/4000/600/SUS/110/B/13W)

Input Power	LED-Modules	Colour Consistency	Installation Type	Material	Beam Angle	Luminaire Colour
220-240 V	CRI 80+ Constant Current	3-Step MacAdam	Surface Mounted (SUR) Suspension Mounted (SUS)	Powder Coated Extruded Aluminium PMMA Opal Diffuser	110°	<input type="radio"/> White (W) <input type="radio"/> Black (B) <input type="radio"/> Alu Anodised (A) (Custom Colours Available On Request)

Product Code	Dimensions	CRI	K	W (System)	LM (System)
--------------	------------	-----	---	------------	-------------

Low Power

LightFrame80/600/4000/13W	600mm x 48mm x 80mm	80+	4000K	13W	2042Lm*
LightFrame80/880/4000/19W	880mm x 48mm x 80mm	80+	4000K	19W	3063Lm*
LightFrame80/1160/4000/26W	1160mm x 48mm x 80mm	80+	4000K	26W	4084Lm*
LightFrame80/1440/4000/33W	1440mm x 48mm x 80mm	80+	4000K	33W	5240Lm*

Medium Power

LightFrame80/600/4000/19W	600mm x 48mm x 80mm	80+	4000K	19W	2785Lm*
LightFrame80/880/4000/29W	880mm x 48mm x 80mm	80+	4000K	29W	4178Lm*
LightFrame80/1160/4000/38W	1160mm x 48mm x 80mm	80+	4000K	38W	5570Lm*
LightFrame80/1440/4000/48W	1440mm x 48mm x 80mm	80+	4000K	48W	6963Lm*

Kelvin Options Available:

- 3000K
- 4000K
- 5000K

*All Lumen Outputs Stated Above Are Based A Nominal Output That Included A 10% Light Loss, This Can Vary Depending On The Optic Used.

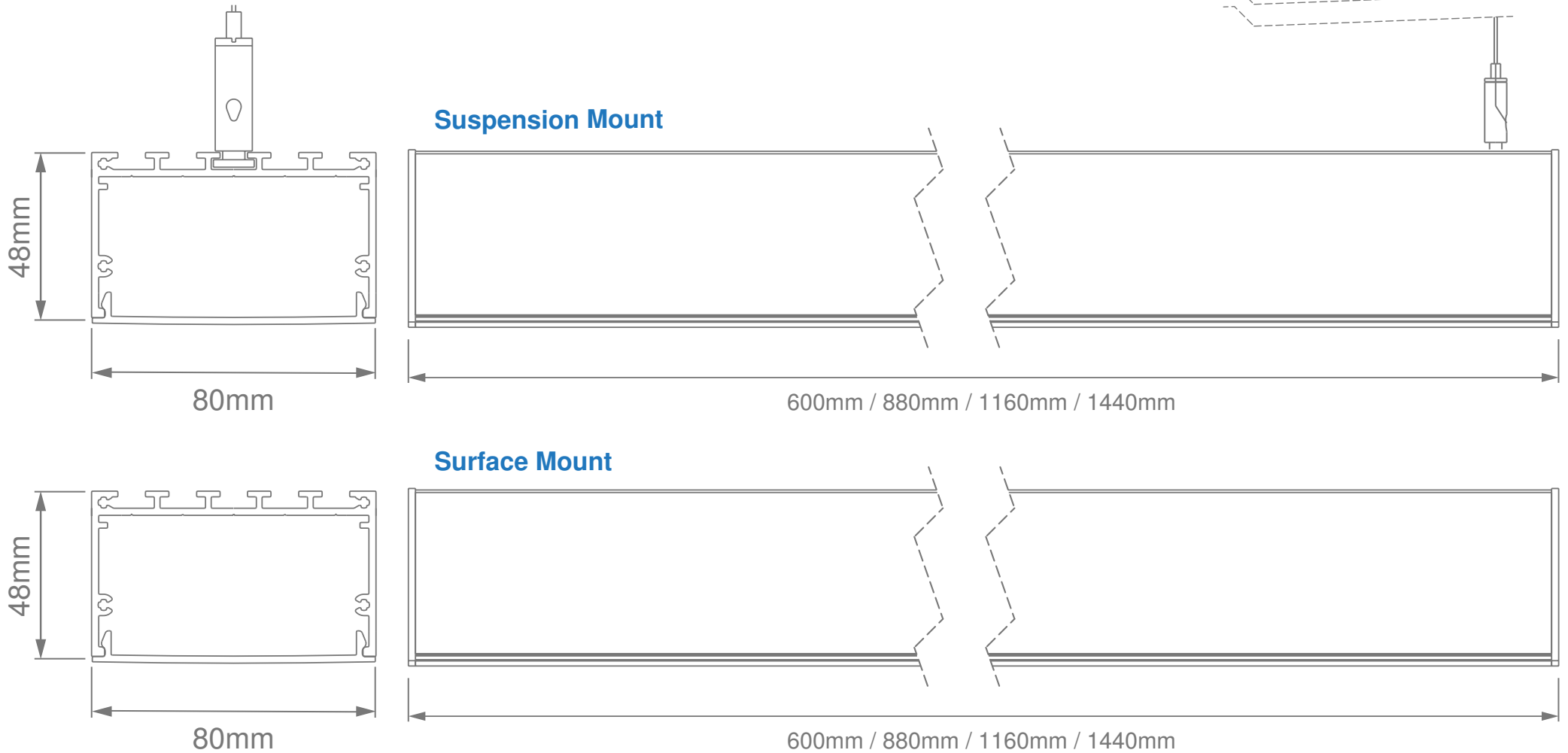
Product Code	Dimensions	CRI	K	W (System)	LM (System)
--------------	------------	-----	---	------------	-------------

High Power

LightFrame80/600/4000/24W	600mm x 48mm x 80mm	80+	4000K	24W	4100Lm*
LightFrame80/880/4000/36W	880mm x 48mm x 80mm	80+	4000K	36W	6150Lm*
LightFrame80/1160/4000/48W	1160mm x 48mm x 80mm	80+	4000K	48W	8200Lm*
LightFrame80/1440/4000/56W	1440mm x 48mm x 80mm	80+	4000K	56W	10250Lm*

*All Lumen Outputs Stated Above Are Based A Nominal Output That Included A 10% Light Loss, This Can Vary Depending On The Optic Used.

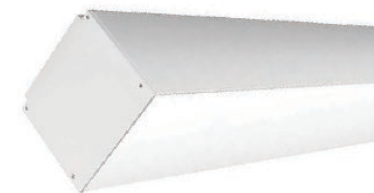
Dimensions:





Features:

- UV Stable PMMA Opal Diffuser
- Minimum Lumen Maintenance: 54 000h (L90B10)



Ordering Example: Product Name/CRI/Kelvin/Length/Mounting/Beam Angle/Luminaire Colour/Wattage (e.g. LightFrame100/80/4000/580/SUS/110/B/13W)

Input Power	LED-Modules	Colour Consistency	Installation Type	Material	Beam Angle	Luminaire Colour
220-240 V	CRI 80+ Constant Current	3-Step MacAdam	Surface Mounted (SUR) Suspension Mounted (SUS)	Powder Coated Extruded Aluminium PMMA Opal Diffuser	110°	<input type="radio"/> White (W) <input type="radio"/> Black (B) <input type="radio"/> Alu Anodised (A) (Custom Colours Available On Request)

Product Code	Dimensions	CRI	K	W (System)	LM (System)
--------------	------------	-----	---	------------	-------------

Low Power

LightFrame100/580/4000/13W	580mm x 100mm x 88mm	80+	4000K	13W	2042Lm*
LightFrame100/860/4000/19W	860mm x 100mm x 88mm	80+	4000K	19W	3063Lm*
LightFrame100/1140/4000/26W	1140mm x 100mm x 88mm	80+	4000K	26W	4084Lm*
LightFrame100/1420/4000/33W	1420mm x 100mm x 88mm	80+	4000K	33W	5240Lm*

Medium Power

LightFrame100/580/4000/19W	580mm x 100mm x 88mm	80+	4000K	19W	2785Lm*
LightFrame100/860/4000/29W	860mm x 100mm x 88mm	80+	4000K	29W	4178Lm*
LightFrame100/1140/4000/38W	1140mm x 100mm x 88mm	80+	4000K	38W	5570Lm*
LightFrame100/1420/4000/48W	1420mm x 100mm x 88mm	80+	4000K	48W	6963Lm*

Kelvin Options Available:

- 3000K
- 4000K
- 5000K

*All Lumen Outputs Stated Above Are Based A Nominal Output That Included A 10% Light Loss, This Can Vary Depending On The Optic Used.

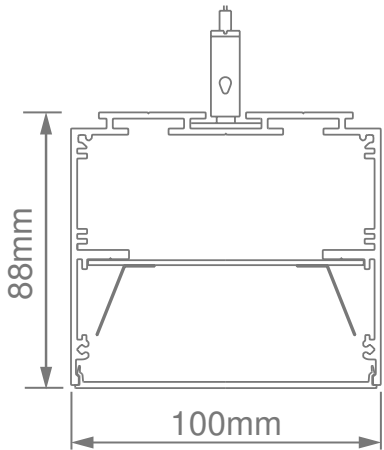
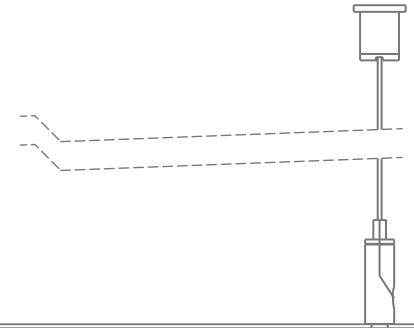
Product Code	Dimensions	CRI	K	W (System)	LM (System)
--------------	------------	-----	---	------------	-------------

High Power

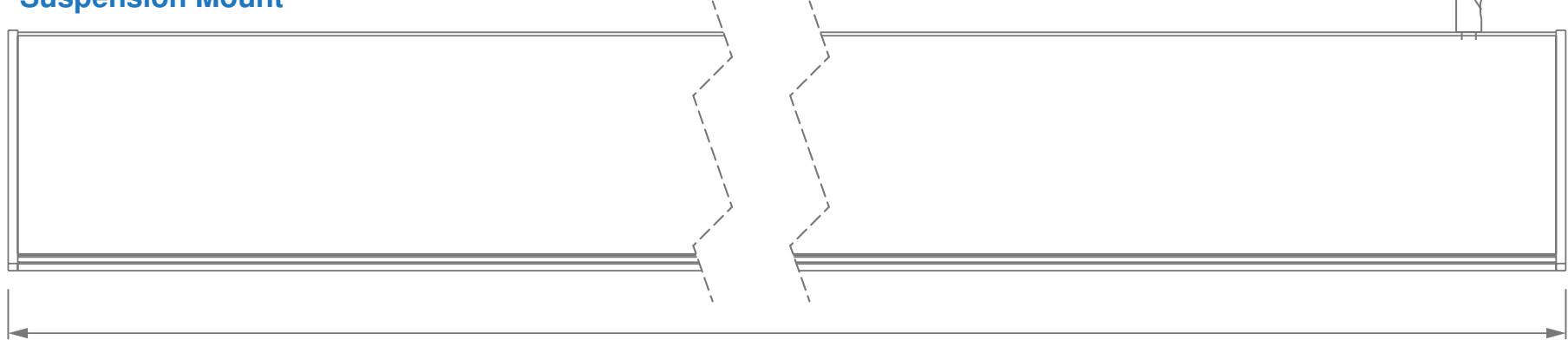
LightFrame100/580/4000/24W	580mm x 100mm x 88mm	80+	4000K	24W	4100Lm*
LightFrame100/860/4000/36W	860mm x 100mm x 88mm	80+	4000K	36W	6150Lm*
LightFrame100/1140/4000/48W	1140mm x 100mm x 88mm	80+	4000K	48W	8200Lm*
LightFrame100/1420/4000/56W	1420mm x 100mm x 88mm	80+	4000K	56W	10250Lm*

All Lumen Outputs Stated Above Are Based A Nominal Output That Included A 10% Light Loss, This Can Vary Depending On The Optic

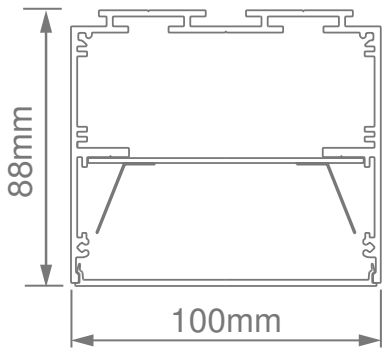
Dimensions:



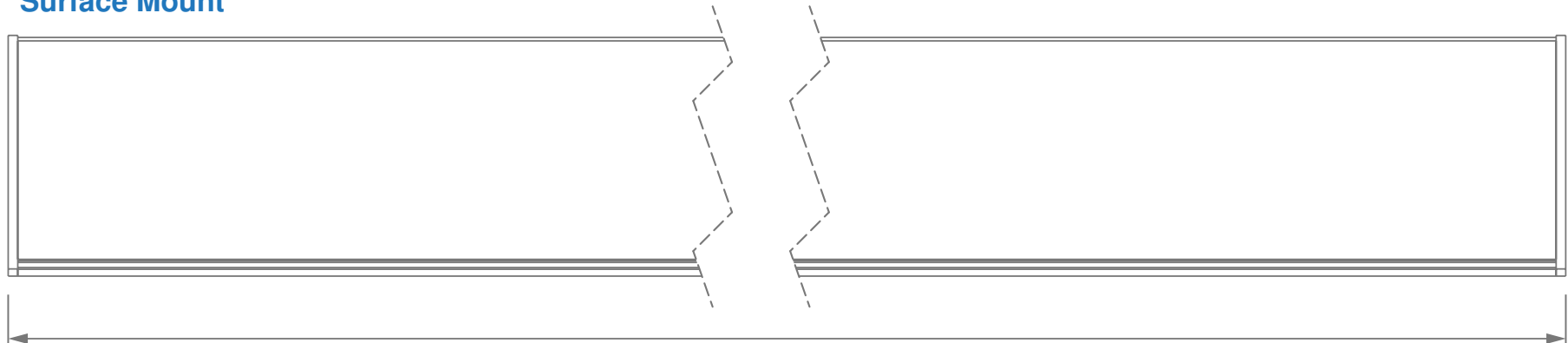
Suspension Mount



580mm / 860mm / 1140mm / 1420mm



Surface Mount



580mm / 860mm / 1140mm / 1420mm



Features:

- Power Factor > 0.98
- Optional Built-In Sensor (On Request)
- Minimum Lumen Maintenance: 50 000h (L80B10)

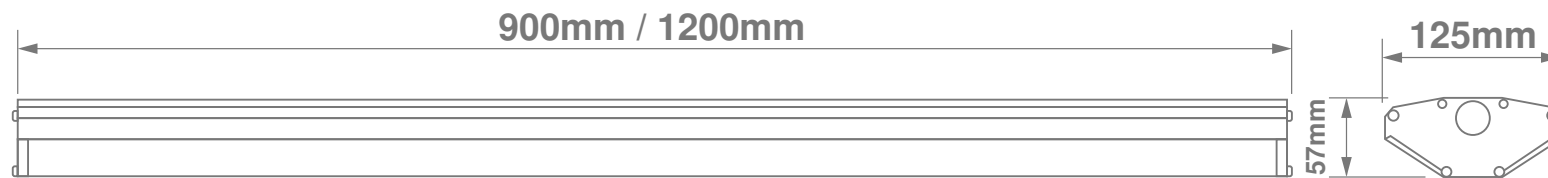


Ordering Example: Product Name/CRI/Kelvin/Length/Mounting Option/Beam Angle/Luminaire Colour/Wattage (e.g. Hexo/80/4000/1200/SUSP/86x130°/W/40W)

Input Power	LED-Modules	Colour Consistency	Installation Type	Material	Beam Angles	Luminaire Colour	Kelvin
220-240 V	CRI 80+ CRI 90+ (On Request)	3-Step MacAdam	Surface Mounted Suspension Mounted	Powder Coated Extruded Aluminium PMMA Optical Lens	86° x 130°	<input type="radio"/> White (S) (Standard) <input checked="" type="radio"/> Black (B) Non-Standard Colours Available On Request	<input checked="" type="radio"/> 3000K <input type="radio"/> 4000K

Product Code	Dimensions	CRI	K	W (System)	LM (System)
Hexo/80/4000/900/40W	900mm x 125mm x 57mm	80+	4000K	40W	4070Lm*
Hexo/80/4000/900/63W	900mm x 125mm x 57mm	80+	4000K	63W	6420Lm*
Hexo/80/4000/1200/40W	1200mm x 125mm x 57mm	80+	4000K	40W	4132Lm*
Hexo/80/4000/1200/61W	1200mm x 125mm x 57mm	80+	4000K	61W	6064Lm*

Dimensions:



Mounting Options:

- SPR - Spring Clip Mount
- BD - Bolt Down
- SUSP - Suspension Kit



Spring Clip Mount

*Various Kelvin and CRI options available to suit project requirements, available on request.

*All Lumen Outputs Stated Above Are Based A Nominal Output That Included A 10% Light Loss, This Can Vary Depending On The Optic Used.



Features:

- Power Factor > 0.95
- Min.1 Hour Emergency Version Available On Request
- Minimum Lumen Maintenance: 50 000h (L80B10)



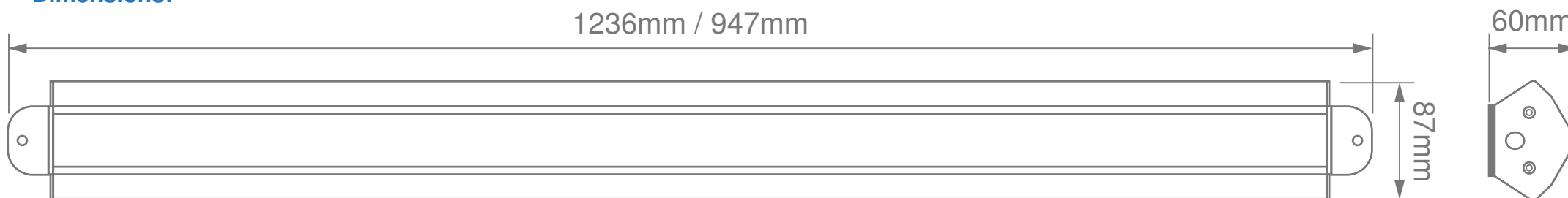
Ordering Example: Product Name/CRI/Kelvin/Length/Beam Angles/Luminaire Colour/Wattage (e.g. Phobos/80/4000/1200/120x95/W/61W)

Input Power	LED-Modules	Colour Consistency	Installation Type	Material	Beam Angles	Luminaire Colour	Kelvin
220-240 V	CRI 80+ CRI 90+ (On Request)	3-Step MacAdam	Surface Mount	Powder Coated Aluminium PMMA Optical Lens	120° x 95°	○ White (W) (Custom Colours Available On Request)	● 3000K ● 4000K

Product Code	Dimensions	CRI	K	W (System)	LM (System)
Phobos/80/4000/900/40W	900mm x 87mm x 60mm	80+	4000K	40W	4105Lm*
Phobos/80/4000/900/63W	900mm x 87mm x 60mm	80+	4000K	63W	6477Lm*
Phobos/80/4000/1200/40W	1236mm x 87mm x 60mm	80+	4000K	40W	4169Lm*
Phobos/80/4000/1200/61W	1236mm x 87mm x 60mm	80+	4000K	61W	6117Lm*

**Various Kelvin and CRI options available to suit project requirements, available on request.*

Dimensions:

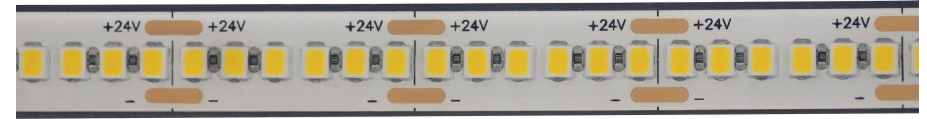


**All Lumen Outputs Stated Above Are Based A Nominal Output That Included A 10% Light Loss, This Can Vary Depending On The Optic Used.*



Features:

- 70 LED P/M
- 120° Beam Angle
- 100mm Cut Sections
- Capable Of Operating Up To 10M In Either Direction Without A Voltage Drop
- Minimum Lumen Maintenance: 50 000h (L80B10)

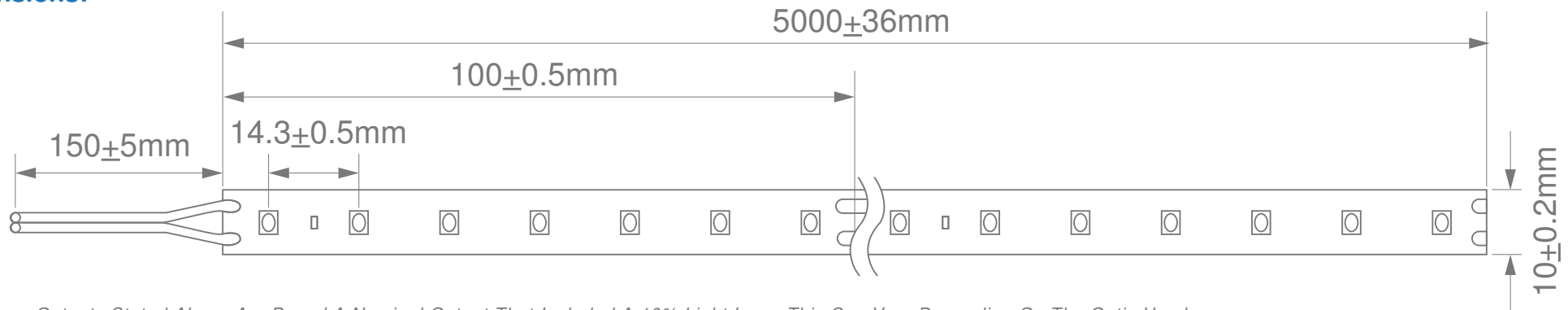


Ordering Example: Product Name/CRI/Kelvin/Wattage (e.g.600LMLEDStrip/80/4000/4.8WPM)

Input Power	LED-Modules	Colour Consistency	Installation Type	Material	Beam Angle	Kelvin
24V	CRI 80+	3-Step MacAdam	Fitted Into Aluminium Profile: - LF5HP - LF45 - LF45T	-	120°	● 3000K ● 4000K

Product Code	Dimensions	CRI	K	W (System)	LM (System)
600LMLEDStrip/80/4000/4.8Wp/m	10mm x 100mm Increments	80+	4000K	4.8W P/M	650Lm* P/M
600LMLEDStrip/80/4000/4.8Wp/m	10mm x 100mm Increments	80+	4000K	4.8W P/M	650Lm* P/M

Dimensions:



*All Lumen Outputs Stated Above Are Based A Nominal Output That Included A 10% Light Loss, This Can Vary Depending On The Optic Used.



Features:

- 240 LED P/M
- 120° Beam Angle
- 100mm Cut Sections
- Capable Of Operating Up To 5M In Either Direction Without A Voltage Drop
- Minimum Lumen Maintenance: 50 000h (L80B10)

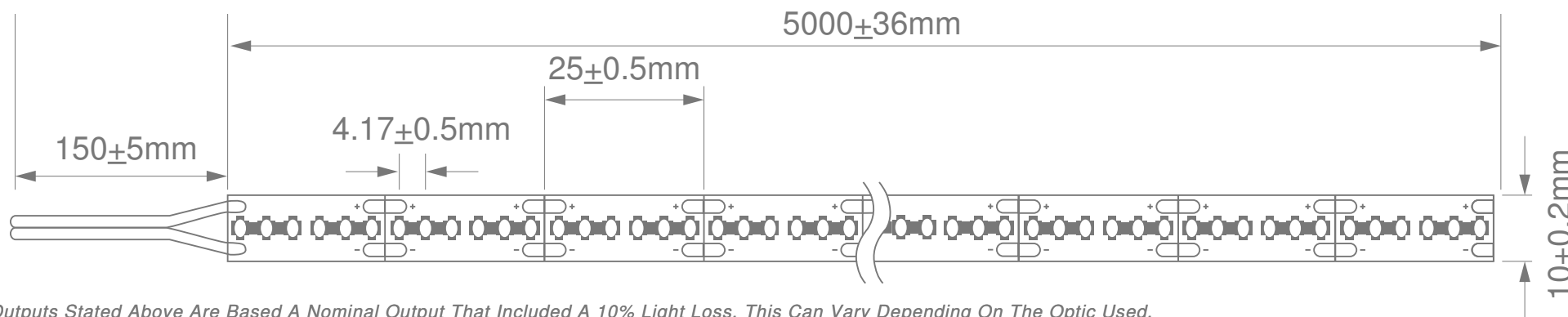


Ordering Example: Product Name/CRI/Kelvin/Wattage (e.g.1200LMLEDStrip/80/4000/9.6WPM)

Input Power	LED-Modules	Colour Consistency	Installation Type	Material	Beam Angle	Kelvin
24V	CRI 80+	3-Step MacAdam	Fitted Into Aluminium Profile: - LF5HP - LF45 - LF45T	-	120°	● 3000K ● 4000K

Product Code	Dimensions	CRI	K	W (System)	LM (System)
1200LMLEDStrip/80/4000/9.6Wp/m	10mm x 100mm Increments	80+	4000K	9.6W P/M	1310Lm* P/M
1200LMLEDStrip/80/3000/9.6Wp/m	10mm x 100mm Increments	80+	3000K	9.6W P/M	1200Lm* P/M

Dimensions:



*All Lumen Outputs Stated Above Are Based A Nominal Output That Included A 10% Light Loss, This Can Vary Depending On The Optic Used.



Features:

- 240 LED P/M
- 120° Beam Angle
- 100mm Cut Sections
- Capable Of Operating Up To 3M In Either Direction Without A Voltage Drop
- Minimum Lumen Maintenance: 50 000h (L80B10)

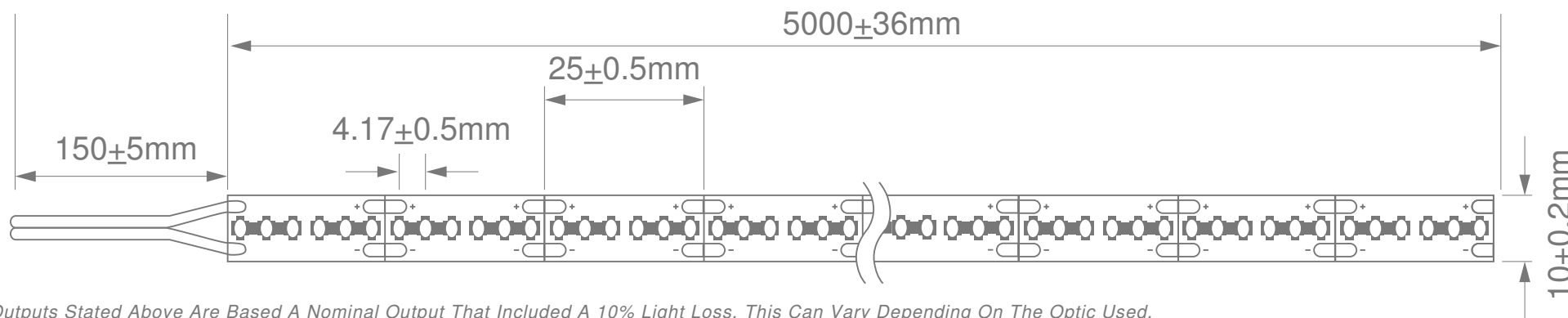


Ordering Example: Product Name/CRI/Kelvin/Wattage (e.g.2000LMLEDStrip/80/4000/19.2WPM)

Input Power	LED-Modules	Colour Consistency	Installation Type	Material	Beam Angle	Kelvin
24V	CRI 80+	3-Step MacAdam	Fitted Into Aluminium Profile: - LF5HP - LF45 - LF45T	-	120°	● 3000K ● 4000K

Product Code	Dimensions	CRI	K	W (System)	LM (System)
2000LMLEDStrip/80/4000/19.2Wp/m	10mm x 100mm Increments	80+	4000K	19.2W P/M	2110Lm* P/M
2000LMLEDStrip/80/3000/19.2Wp/m	10mm x 100mm Increments	80+	3000K	19.2W P/M	2010Lm* P/M

Dimensions:



*All Lumen Outputs Stated Above Are Based A Nominal Output That Included A 10% Light Loss, This Can Vary Depending On The Optic Used.

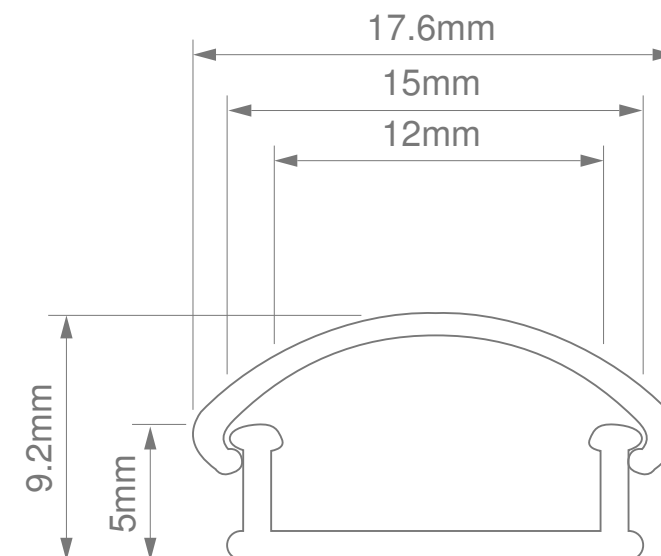


Installation Type	Dimensions	Material	Luminaire Colour
Surface Mounted	17.6mm x 9.2mm (In Length Increments Of 100mm)	Aluminium Opal Diffuser	<input type="radio"/> Natural Anodised

LED Strips Available:

- 600Lm LED Strip 4.8W
- 1200Lm LED Strip 9.6W
- 2000Lm LED Strip 19.2W

Dimensions:



*For detailed lighting data please refer to the LED strip light datasheets

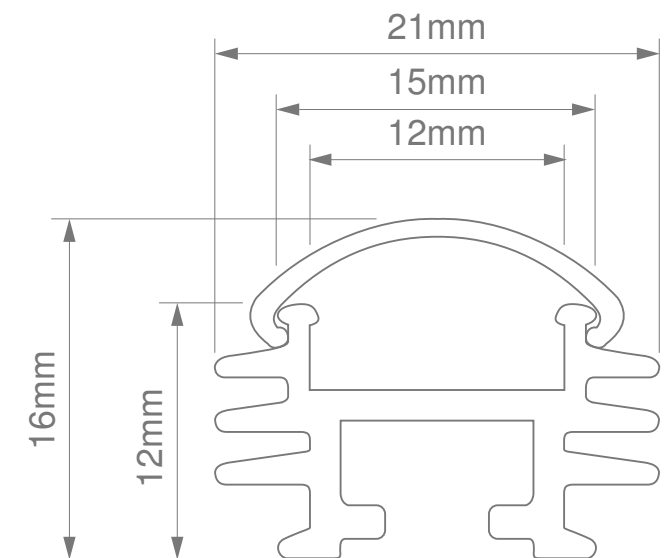


Installation Type	Dimensions	Material	Luminaire Colour
Surface Mounted	21mm x 16mm (In Length Increments Of 100mm)	Aluminium Opal Diffuser	<input type="radio"/> Natural Anodised

LED Strips Available:

- 600Lm LED Strip 4.8W
- 1200Lm LED Strip 9.6W
- 2000Lm LED Strip 19.2W

Dimensions:



*For detailed lighting data please refer to the LED strip light datasheets.

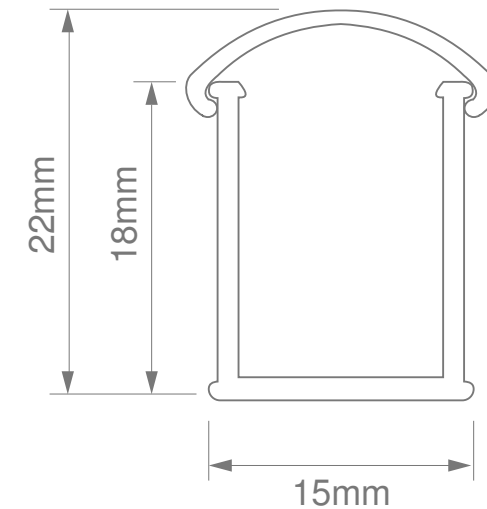


Installation Type	Dimensions	Material	Luminaire Colour
Surface Mounted Suspension Mounted	22mm x 15mm (In Length Increments Of 100mm)	Aluminium Opal Diffuser	<input type="radio"/> Natural Anodised

LED Strips Available:

- 600Lm LED Strip 4.8W
- 1200Lm LED Strip 9.6W
- 2000Lm LED Strip 19.2W

Dimensions:



*For detailed lighting data please refer to the LED strip light datasheets.

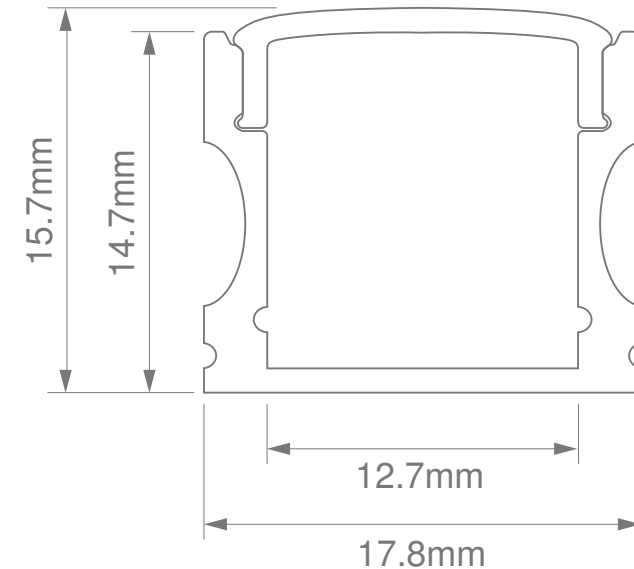


Installation Type	Dimensions	Material	Luminaire Colour
Surface Mounted Suspension Mounted	17.8mm x 15.7mm (In Length Increments Of 100mm)	Aluminium Opal Diffuser	<input type="radio"/> Natural Anodised

LED Strips Available:

- 600Lm LED Strip 4.8W
- 1200Lm LED Strip 9.6W
- 2000Lm LED Strip 19.2W

Dimensions:



*For detailed lighting data please refer to the LED strip light datasheets



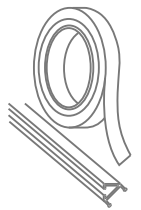
Ordering Example: Product Name (e.g.LF18FlatRecessed)

Installation Type	Material	Dimensions	Luminaire Colour
Recessed	Anodised Aluminium Opal Pmma Diffuser	17.8mm x 15.8mm (In Length Increments Of 100mm)	<input type="radio"/> Natural Anodised

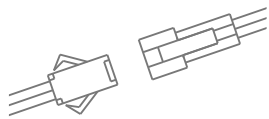
LED Strips Available:

- 600Lm LED Strip 4.8W
- 1200Lm LED Strip 9.6W
- 2000Lm LED Strip 19.2W

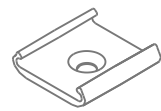
Mounting Options:



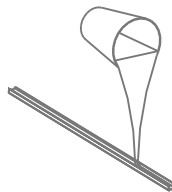
Double-Sided
Tape



Connector
Clips

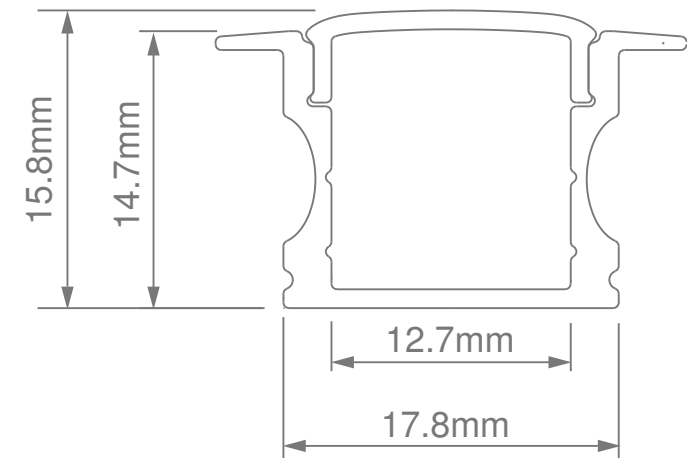


Flat Mounting
Clips



Resin

Dimensions:



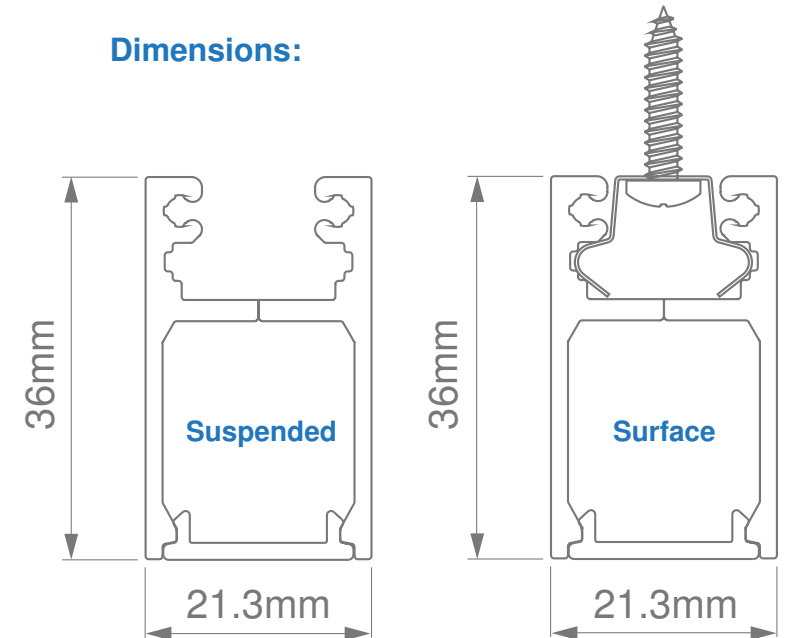


Installation Type	Dimensions	Material	Luminaire Colour
Surface Mounted Suspension Mounted	36mm x 21.3mm (In Length Increments Of 100mm)	Aluminium Opal Diffuser	<input type="radio"/> Natural Anodised

LED Strips Available:

- 600Lm LED Strip 4.8W
- 1200Lm LED Strip 9.6W
- 2000Lm LED Strip 19.2W

Dimensions:



*For detailed lighting data please refer to the LED strip light datasheets.

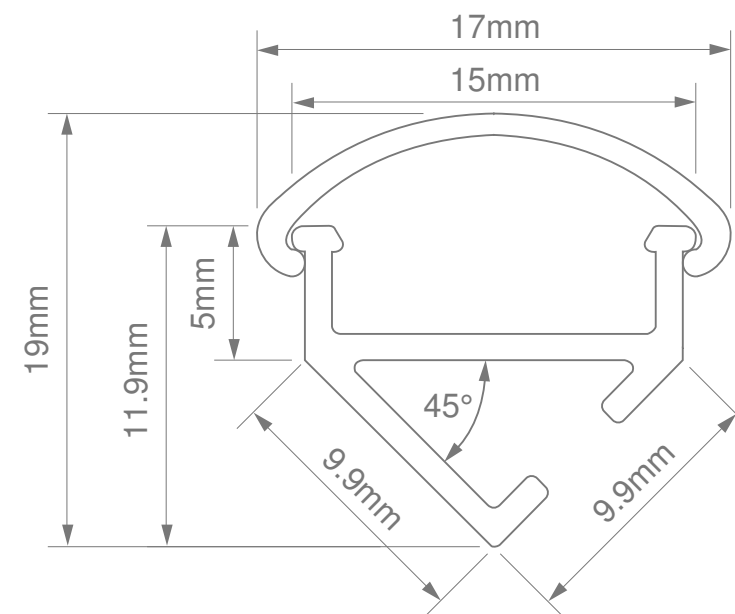


Installation Type	Dimensions	Material	Luminaire Colour
Surface Mounted	19mm x 17mm (In Length Increments Of 100mm)	Aluminium Opal Diffuser	<input type="radio"/> Natural Anodised

LED Strips Available:

- 600Lm LED Strip 4.8W
- 1200Lm LED Strip 9.6W
- 2000Lm LED Strip 19.2W

Dimensions:



*For detailed lighting data please refer to the LED strip light datasheets.



Installation Type	Dimensions	Material	Luminaire Colour
Surface Mounted	(In Length Increments Of 100mm)	Aluminium Opal Diffuser	<input type="radio"/> Natural Anodised

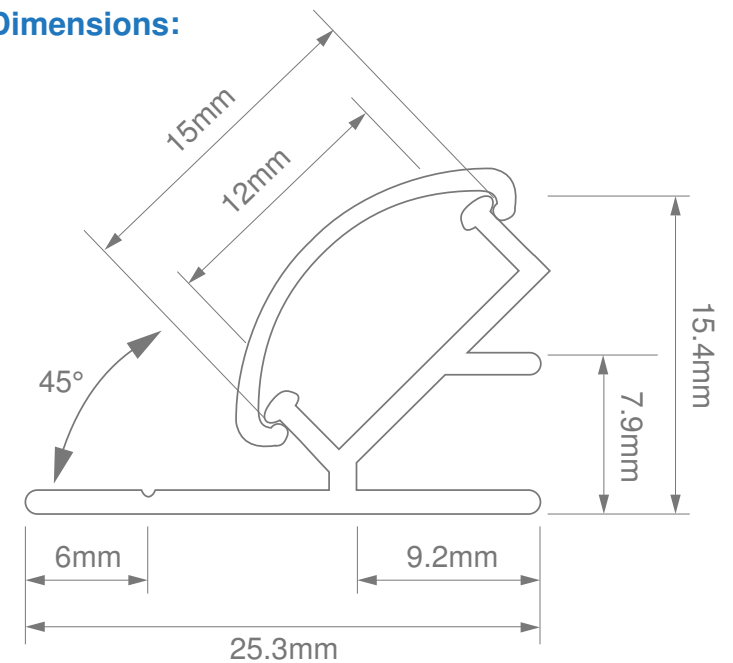
LED Strip:

- 1200Lm LED Strip 9.6W

Kelvin:

- 3000K

Dimensions:



*For detailed lighting data please refer to the LED strip light datasheets.

A nighttime cityscape featuring a prominent skyscraper with the Comcast logo illuminated at the top. The building is surrounded by other lit-up structures, creating a vibrant urban scene.

Contact

Cape Town

1B Hansen Close,
Richmond Park,
Cape Town
T. +27 21 555 0570

Durban

Unit L, Nandi Park,
34 Brickworks Way
Briardene
T. +27 31 001 2964

Namibia - Windhoek

Unit 2, Tesoro Building,
31 TV More Street
Windhoek
T. +264 61 40 0339

Johannesburg

17 Galaxy Road,
Unit 5A Galaxy Park,
Linbro Park
T. +27 11 262 5179

Port Elizabeth

216 Main Road,
Walmer
Port Elizabeth
T. +27 41 451 4359