

RUBICON
LIGHTING

LIGHT FRAME 80
Surface & Suspension





Features:

- Constant Current
- Minimum Lumen Maintenance: 54 000h (L90B10)



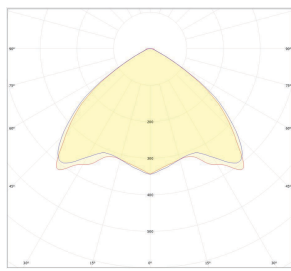
Power Supply:	207 - 253V AC 50 - 60Hz					
Operating Temperature Range: (Ta - Ambient)	- 20°C to 35°C					
Dimming:	Dali_1-10V (On Request)					
Colour Rendering Index:	CRI 80+					
Colour Consistency:	3-Step MacAdam					
Colour Temperature: (Kelvin / CCT)	<input type="radio"/> 3000K <input type="radio"/> 5000K <input type="radio"/> 4000K					
Beam Angle:	110°					
Installation Type:	• Surface Mounted • Suspension Mounted					
Ingress Protection:	IP20					
Luminaire Colour:	<input type="radio"/> White <input checked="" type="radio"/> Black <input type="radio"/> Alu Anodised <input type="radio"/> Custom Colours Available (On Request)					
Material:	Housing - Powder Coated Extruded Aluminium Diffuser - Opal PMMA					
	Dimensions		Wattage (System)	CRI	Kelvin	Luminous Flux (Effective)
	600mm x 48mm x 80mm	Low Power	13W	80+	4000K	2042Lm*
	880mm x 48mm x 80mm	Low Power	19W	80+	4000K	3063Lm*
	1160mm x 48mm x 80mm	Low Power	26W	80+	4000K	4084Lm*
	1440mm x 48mm x 80mm	Low Power	33W	80+	4000K	5240Lm*
	600mm x 48mm x 80mm	Med Power	19W	80+	4000K	2785Lm*
	880mm x 48mm x 80mm	Med Power	29W	80+	4000K	4178Lm*
	1160mm x 48mm x 80mm	Med Power	38W	80+	4000K	5570Lm*
	1440mm x 48mm x 80mm	Med Power	48W	80+	4000K	6963Lm*
	600mm x 48mm x 80mm	High Power	24W	80+	4000K	4100Lm*
	880mm x 48mm x 80mm	High Power	36W	80+	4000K	6150Lm*
	1160mm x 48mm x 80mm	High Power	48W	80+	4000K	8200Lm*
	1440mm x 48mm x 80mm	High Power	56W	80+	4000K	10250Lm*

*E & O.E (Errors And Omissions Excepted)

*Due to the rapid development in LED technology the performance values, power consumption and lumen output levels stated above are subject to change without prior notice.

*All lumen outputs stated above are based a nominal output that included a 10% light loss, this can vary depending on the optic used.

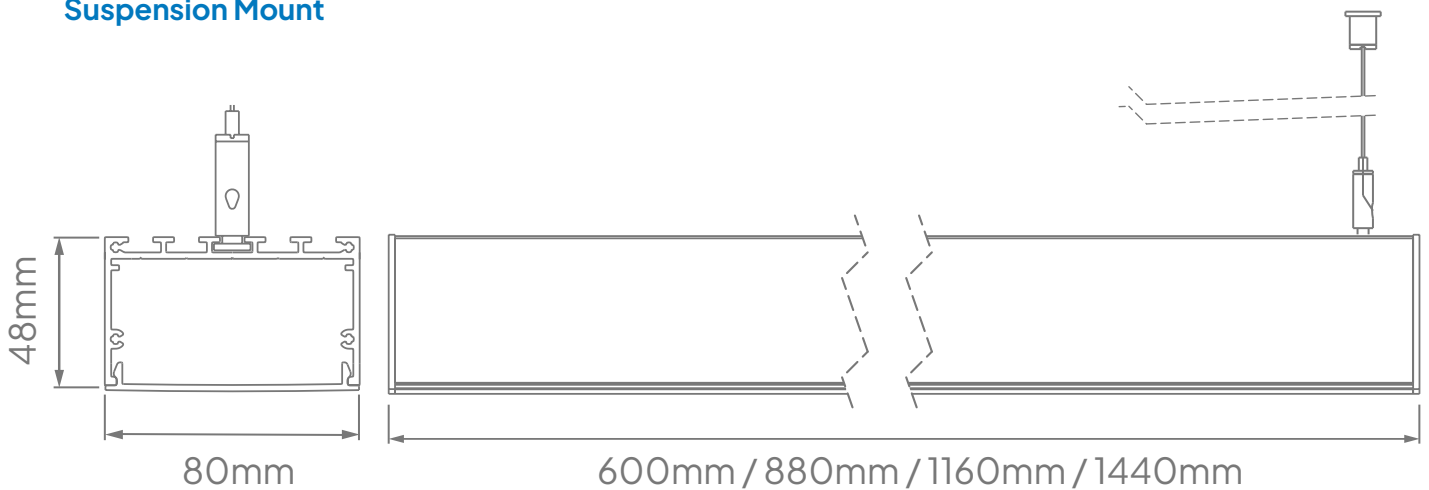
Light Distribution:



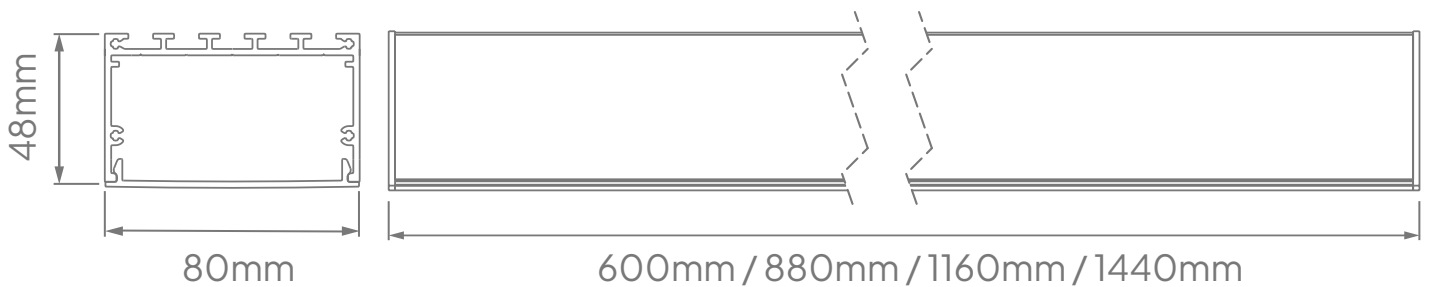
110°

Dimensions:

Suspension Mount



Surface Mount



*E & O.E (Errors And Omissions Excepted)

*Due to the rapid development in LED technology the performance values, power consumption and lumen output levels stated above are subject to change without prior notice.

*All lumen outputs stated above are based a nominal output that included a 10% light loss, this can vary depending on the optic used.

Contact

Cape Town

1B Hansen Close,
Richmond Park,
Cape Town
T. +27 21 555 0570

Durban

Unit L, Nandi Park,
34 Brickworks Way
Briardene
T. +27 31 001 2964

Namibia – Windhoek

Unit 2, Tesoro Building,
31 TV More Street
Windhoek
T. +264 61 40 0339

Johannesburg

17 Galaxy Road,
Unit 5A Galaxy Park,
Linbro Park
T. +27 11 262 5179

Port Elizabeth

216 Main Road,
Walmer
Port Elizabeth
T. +27 41 451 4359