

RUBICON
LIGHTING

LIGHT FRAME 55
Surface & Suspension





Features:

- Constant Current
- Minimum Lumen Maintenance: 54 000h (L90B10)



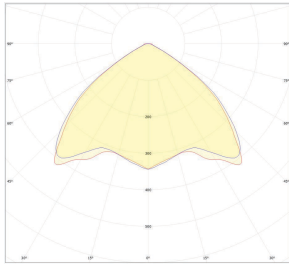
Power Supply:	207 - 253V AC 50 - 60Hz				
Operating Temperature Range: (Ta - Ambient)	- 20°C to 35°C				
Dimming:	Dali_1-10V (On Request)				
Colour Rendering Index:	CRI 80+				
Colour Consistency:	3-Step MacAdam				
Colour Temperature: (Kelvin / CCT)	<input checked="" type="radio"/> 3000K <input type="radio"/> 4000K <input checked="" type="radio"/> 3500K				
Beam Angle:	110°				
Installation Type:	Recessed Mount				
Ingress Protection:	IP20				
IK Rating:	IP08				
Luminaire Colour:	<input type="radio"/> White <input checked="" type="radio"/> Black <input type="radio"/> Alu Anodised <input type="radio"/> Custom Colours Available (On Request)				
Material:	Housing - Powder Coated Extruded Aluminium Diffuser - Opal PMMA				
	Dimensions	Wattage (System)	CRI	Kelvin	Luminous Flux (Effective)
	600mm x 50mm x 53mm	16W	80+	4000K	2920Lm*
	600mm x 50mm x 53mm	24W	80+	4000K	4100Lm*
	880mm x 50mm x 53mm	24W	80+	4000K	4380Lm*
	880mm x 50mm x 53mm	36W	80+	4000K	6150Lm*
	1160mm x 50mm x 53mm	32W	80+	4000K	5840Lm*
	1160mm x 50mm x 53mm	48W	80+	4000K	8200Lm*
	1440mm x 50mm x 53mm	40W	80+	4000K	7300Lm*
	1440mm x 50mm x 53mm	56W	80+	4000K	10250Lm*

*E & O.E (Errors And Omissions Excepted)

*Due to the rapid development in LED technology the performance values, power consumption and lumen output levels stated above are subject to change without prior notice.

*All lumen outputs stated above are based a nominal output that included a 10% light loss, this can vary depending on the optic used.

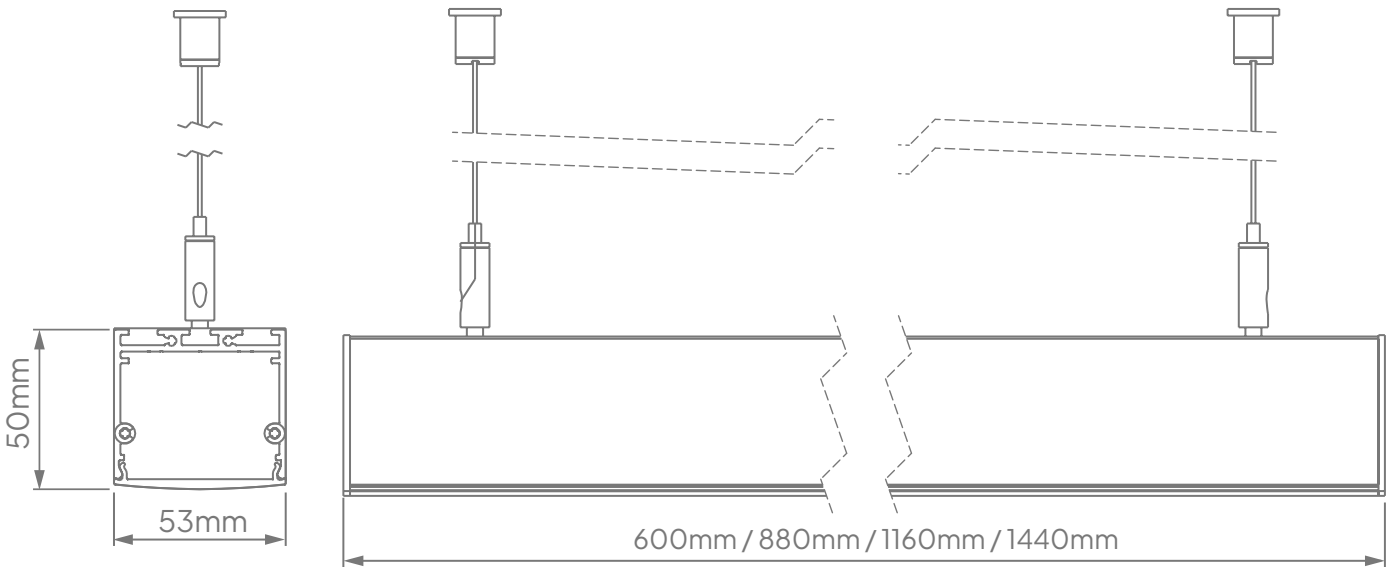
Light Distribution:



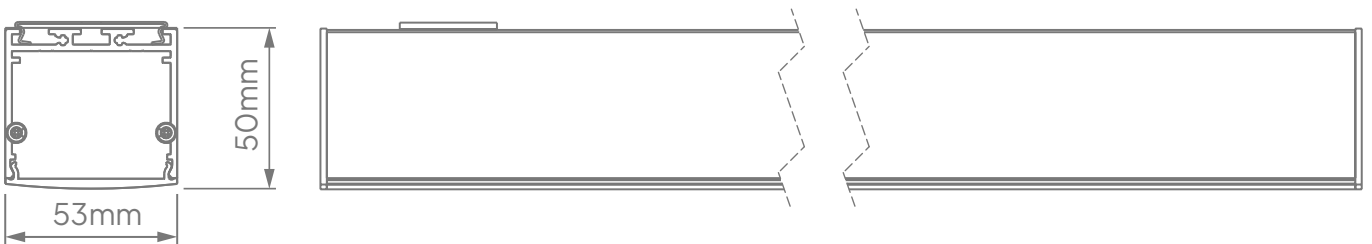
110°

Dimensions:

Suspension Mount



Surface Mount



*E & O.E (Errors And Omissions Excepted)

*Due to the rapid development in LED technology the performance values, power consumption and lumen output levels stated above are subject to change without prior notice.

*All lumen outputs stated above are based a nominal output that included a 10% light loss, this can vary depending on the optic used.

Contact

Cape Town

1B Hansen Close,
Richmond Park,
Cape Town
T. +27 21 555 0570

Durban

Unit L, Nandi Park,
34 Brickworks Way
Briardene
T. +27 31 001 2964

Namibia – Windhoek

Unit 2, Tesoro Building,
31 TV More Street
Windhoek
T. +264 61 40 0339

Johannesburg

17 Galaxy Road,
Unit 5A Galaxy Park,
Linbro Park
T. +27 11 262 5179

Port Elizabeth

216 Main Road,
Walmer
Port Elizabeth
T. +27 41 451 4359