

**RUBICON**  
LIGHTING

## LEX 160





**Features:**

- Efficacy Of Up To 110lm/W\*
- Multi-Protection Constant Current Driver
- Designed For Zones 1, 2, 21 And 22 Hazardous Areas
- Emergency Backup Option Available (On Request)
- Explosion Protection: Ex d IIC T6 Gb / Ex tb IIIB T85°C Db
- Minimum Lumen Maintenance: 50 000h (L70B10)



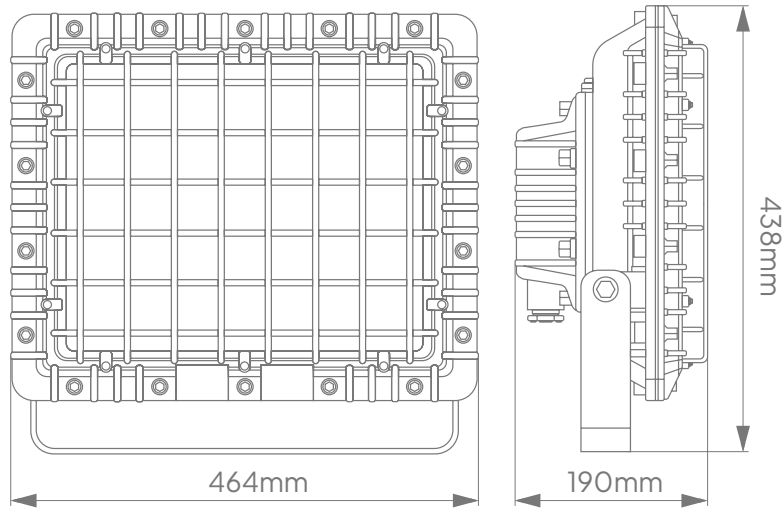
<b>Power Supply:</b>	220-240V AC   50 - 60Hz				
<b>Colour Rendering Index:</b>	CRI 80+				
<b>Colour Consistency:</b>	4-Step MacAdam				
<b>Colour Temperature: (Kelvin / CCT)</b>	<input type="radio"/> 4500K				
<b>Beam Angle:</b>	30° _ 45° _ 60°				
<b>Installation Type:</b>	• Suspension Mounted Pendant • Wall Mounted				
<b>Ingress Protection:</b>	IP66				
<b>IK Rating:</b>	IK10				
<b>Luminaire Colour:</b>	<input checked="" type="radio"/> Grey				
<b>Material:</b>	Aluminium Housing Tempered Glass Stainless Steel Guard				
	<b>Dimensions</b>	<b>Wattage (System)</b>	<b>CRI</b>	<b>Kelvin</b>	<b>Luminous Flux (Effective)</b>
	464mm x 438mm x 190mm	80W	80+	4500K	8800Lm*
	464mm x 438mm x 190mm	100W	80+	4500K	11000Lm*
	464mm x 438mm x 190mm	120W	80+	4500K	13200Lm*
	464mm x 438mm x 190mm	160W	80+	4500K	17600Lm*

\*E & O.E (Errors And Omissions Excepted)

\*Due to the rapid development in LED technology the performance values, power consumption and lumen output levels stated above are subject to change without prior notice.

\*All lumen outputs stated above are based a nominal output that included a 10% light loss, this can vary depending on the optic used.

**Dimensions:**



\*E & O.E (Errors And Omissions Excepted)

\*Due to the rapid development in LED technology the performance values, power consumption and lumen output levels stated above are subject to change without prior notice.

\*All lumen outputs stated above are based a nominal output that included a 10% light loss, this can vary depending on the optic used.

# Contact

## Cape Town

1B Hansen Close,  
Richmond Park,  
Cape Town  
T. +27 21 555 0570

## Durban

Unit L, Nandi Park,  
34 Brickworks Way  
Briardene  
T. +27 31 001 2964

## Namibia – Windhoek

Unit 2, Tesoro Building,  
31 TV More Street  
Windhoek  
T. +264 61 40 0339

## Johannesburg

17 Galaxy Road,  
Unit 5A Galaxy Park,  
Linbro Park  
T. +27 11 262 5179

## Port Elizabeth

216 Main Road,  
Walmer  
Port Elizabeth  
T. +27 41 451 4359