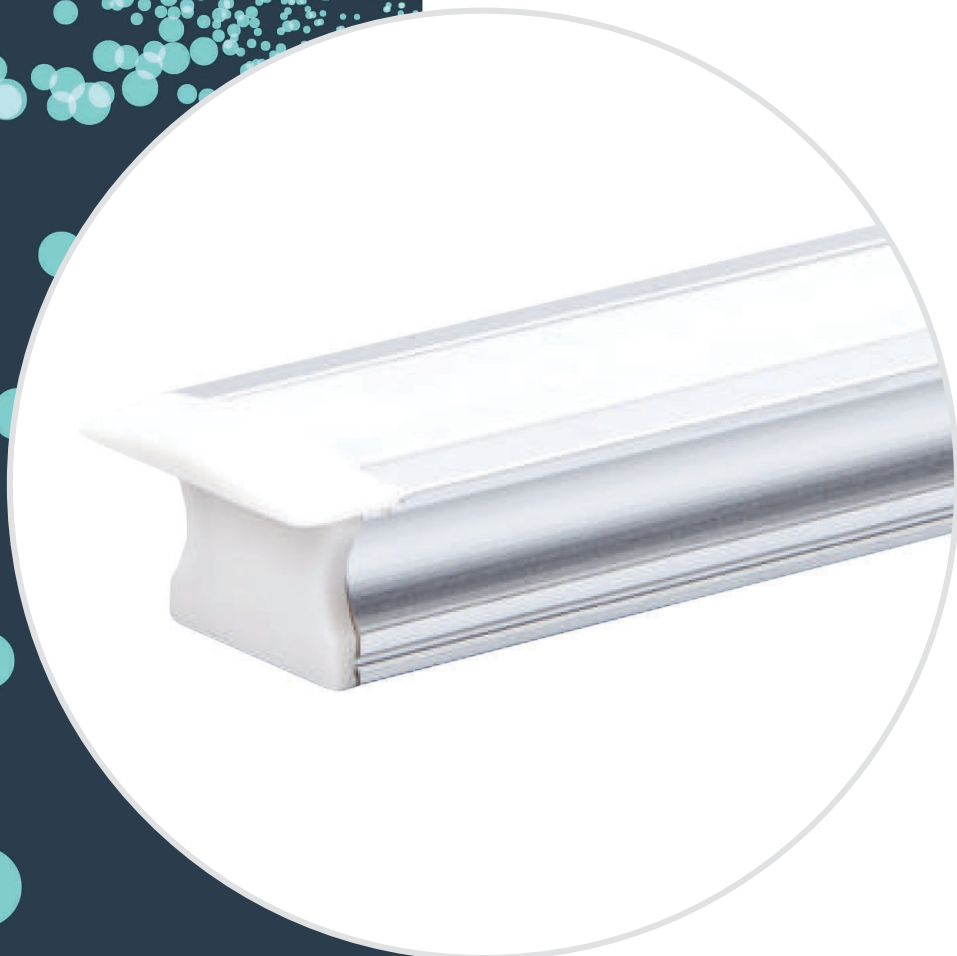
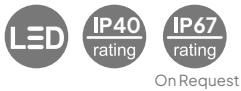


RUBICON
LIGHTING

**LF18 FLAT
RECESSED**

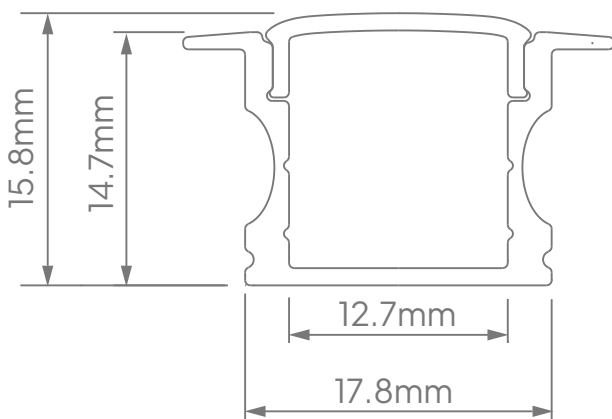




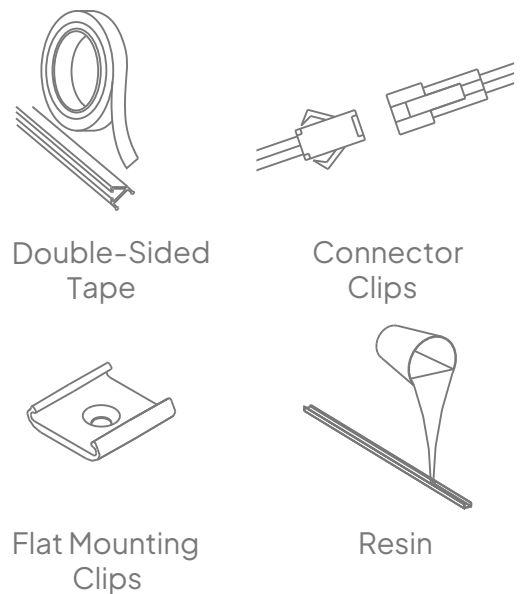
*For detailed lighting data please refer to the LED strip light datasheets.

Power Supply:	24VDC
LED Strips Available:	<ul style="list-style-type: none"> • IP20 LED 600lm/m (4.8W/m) • IP20 LED 1200lm/m (9.6W/m) • IP20 LED 2000lm/m (19.2W/m) • IP67 LED 600lm/m (4.8W/m) • IP67 LED 1200lm/m (9.6W/m) • IP67 LED 2000lm/m (19.2W/m)
Dimensions:	17.8mm x 15.8mm (In Length Increments Of 100mm From 120mm To 3020mm)
Luminaire Colour:	<input type="radio"/> Natural Anodized
Ingress Protection:	IP40 / IP67(On Request)
Installation Type:	Surface (Clip Or VHB DS Tape)
Material:	Body – Anodized Extruded Aluminium Diffuser – Extruded Diffused PMMA

Dimensions:



Mounting Options:



*E & O.E (Errors And Omissions Excepted)

*Due to the rapid development in LED technology the performance values, power consumption and lumen output levels stated above are subject to change without prior notice.

*All lumen outputs stated above are based a nominal output that included a 10% light loss, this can vary depending on the optic used.

Contact

Cape Town

1B Hansen Close,
Richmond Park,
Cape Town
T. +27 21 555 0570

Durban

Unit L, Nandi Park,
34 Brickworks Way
Briardene
T. +27 31 001 2964

Namibia – Windhoek

Unit 2, Tesoro Building,
31 TV More Street
Windhoek
T. +264 61 40 0339

Johannesburg

17 Galaxy Road,
Unit 5A Galaxy Park,
Linbro Park
T. +27 11 262 5179

Port Elizabeth

216 Main Road,
Walmer
Port Elizabeth
T. +27 41 451 4359