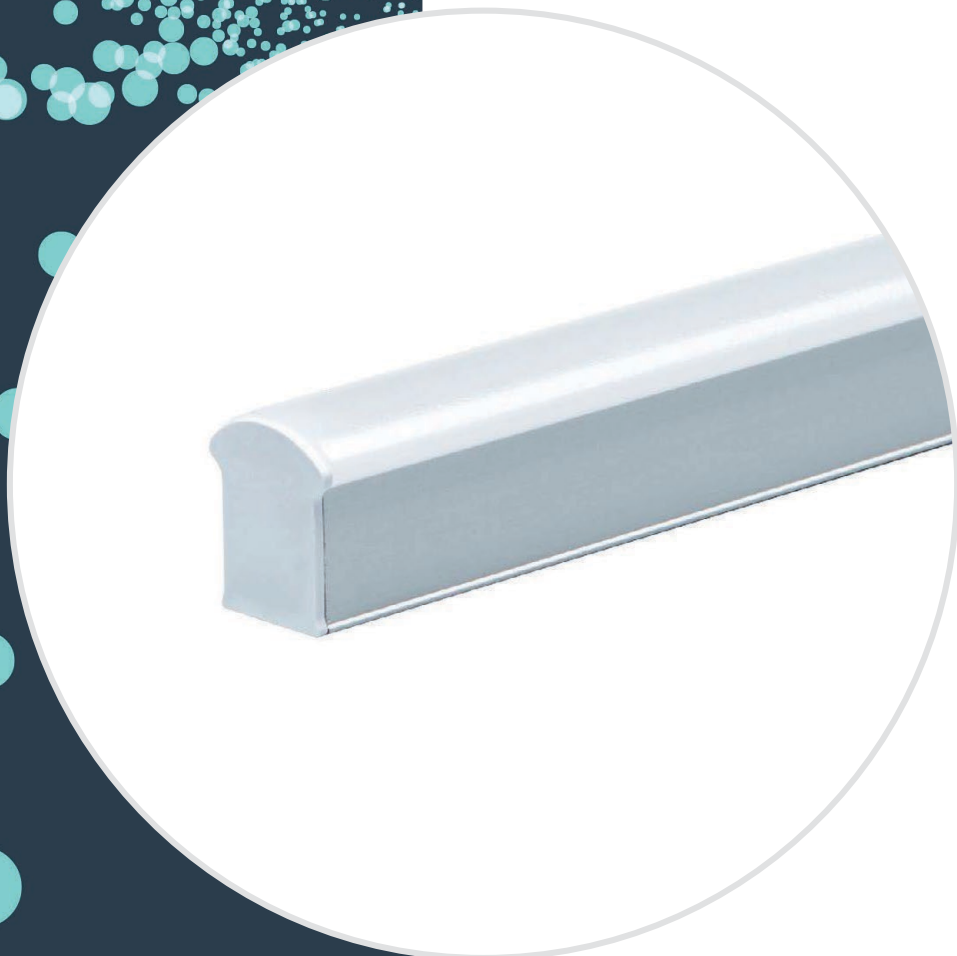


**RUBICON**  
LIGHTING

**LF18**

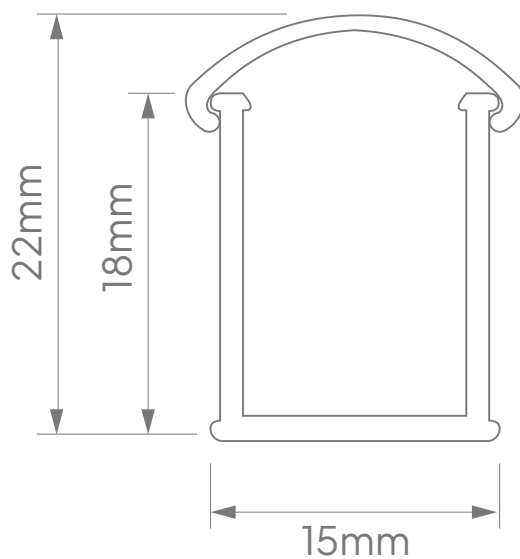




\*For detailed lighting data please refer to the LED strip light datasheets.

<b>Power Supply:</b>	24VDC
<b>LED Strips Available:</b>	<ul style="list-style-type: none"> <li>• IP20 LED 600lm/m (4.8W/m)    • IP67 LED 600lm/m (4.8W/m)</li> <li>• IP20 LED 1200lm/m (9.6W/m)    • IP67 LED 1200lm/m (9.6W/m)</li> <li>• IP20 LED 2000lm/m (19.2W/m)    • IP67 LED 2000lm/m (19.2W/m)</li> </ul>
<b>Dimensions:</b>	22mm x 15mm ( In Length Increments Of 100mm From 120mm To 3020mm )
<b>Luminaire Colour:</b>	<input type="radio"/> Natural Anodized
<b>Ingress Protection:</b>	IP40 / IP67 (On Request)
<b>Installation Type:</b>	<ul style="list-style-type: none"> <li>• Surface (Clip Or VHB DS Tape)    • Suspension Mounted</li> </ul>
<b>Material:</b>	<p>Body – Anodized Extruded Aluminium</p> <p>Diffuser – Extruded Diffused PMMA</p>

**Dimensions:**



\*E & O.E ( Errors And Omissions Excepted )

\*Due to the rapid development in LED technology the performance values, power consumption and lumen output levels stated above are subject to change without prior notice.

\*All lumen outputs stated above are based a nominal output that included a 10% light loss, this can vary depending on the optic used.

# Contact

## Cape Town

1B Hansen Close,  
Richmond Park,  
Cape Town  
T. +27 21 555 0570

## Durban

Unit L, Nandi Park,  
34 Brickworks Way  
Briardene  
T. +27 31 001 2964

## Namibia – Windhoek

Unit 2, Tesoro Building,  
31 TV More Street  
Windhoek  
T. +264 61 40 0339

## Johannesburg

17 Galaxy Road,  
Unit 5A Galaxy Park,  
Linbro Park  
T. +27 11 262 5179

## Port Elizabeth

216 Main Road,  
Walmer  
Port Elizabeth  
T. +27 41 451 4359