

RUBICON
LIGHTING

LED BATON





Features:

- THD at full power: <10%
- Dali Control Available (On Request)
- Surge Protection: Primary (On board) 4 kV fast transient (IEC 61000 4 4)
- Optional Reflector Available (On Request)
- Min 20% - 1 Hour Emergency Operation Function Available (On Request)
- Fully Removable Light Engine Assembly For Easy Installation And Servicing
- Minimum Lumen Maintenance: 50 000h (L80B10)

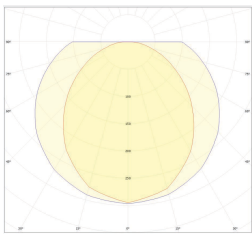
Power Supply:	207 - 253V AC 50 - 60Hz				
Operating Temperature Range: (Ta - Ambient)	- 20°C to 35°C				
Colour Rendering Index:	CRI 80+				
Dimming:	Dali_1-10V (On Request)				
Colour Consistency:	3-Step MacAdam				
Colour Temperature: (Kelvin / CCT)	<input checked="" type="radio"/> 4000K				
Beam Angle:	120°				
Installation Types:	<ul style="list-style-type: none"> • Surface • Suspension - Wire rope with height adjustability (On Request) 				
Ingress Protection:	IP40				
Luminaire Colour:	<input type="radio"/> White				
Material:	Housing - Powder coated CNC punched and formed sheet metal Diffuser - Linear extruded, UV stabilised, frosted, PMMA (Acrylic) diffuser				
	Dimensions	Wattage (System)	CRI	Kelvin	Luminous Flux (Effective)
	600mm x 50mm x 62mm	18W	80+	4000K	2154Lm*
	600mm x 50mm x 62mm	27W	80+	4000K	2992Lm*
	600mm x 50mm x 62mm	33W	80+	4000K	3499Lm*
	1140mm x 50mm x 62mm	36W	80+	4000K	4308Lm*
	1140mm x 50mm x 62mm	53W	80+	4000K	5985Lm*
	1140mm x 50mm x 62mm	65W	80+	4000K	6999Lm*
	1500mm x 50mm x 62mm	45W	80+	4000K	5385Lm*
	1500mm x 50mm x 62mm	66W	80+	4000K	7486Lm*
	1500mm x 50mm x 62mm	81W	80+	4000K	8750Lm*

*E & O.E (Errors And Omissions Excepted)

*Due to the rapid development in LED technology the performance values, power consumption and lumen output levels stated above are subject to change without prior notice.

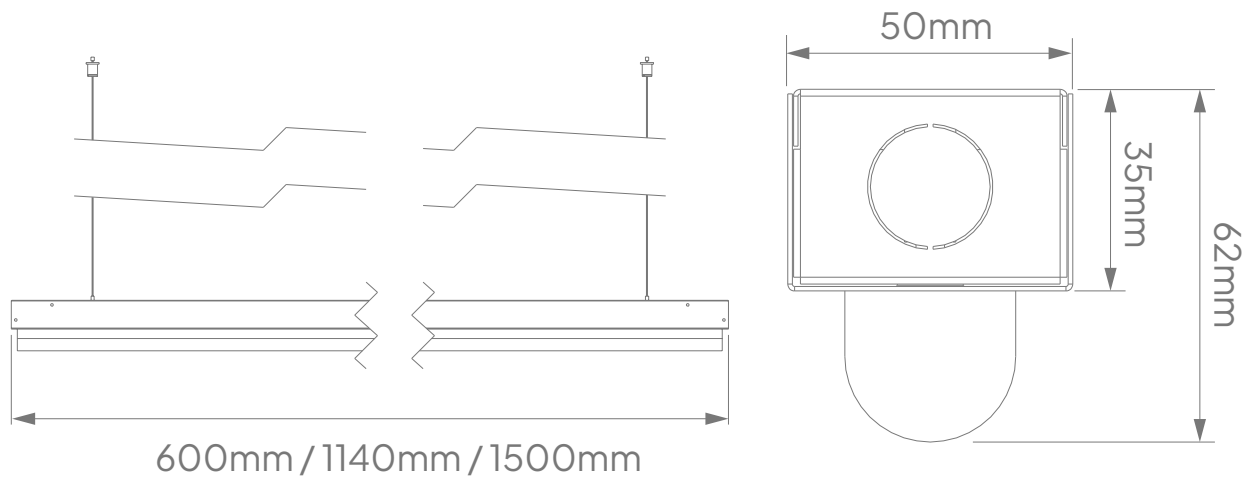
*All lumen outputs stated above are based a nominal output that included a 10% light loss, this can vary depending on the optic used.

Light Distribution:

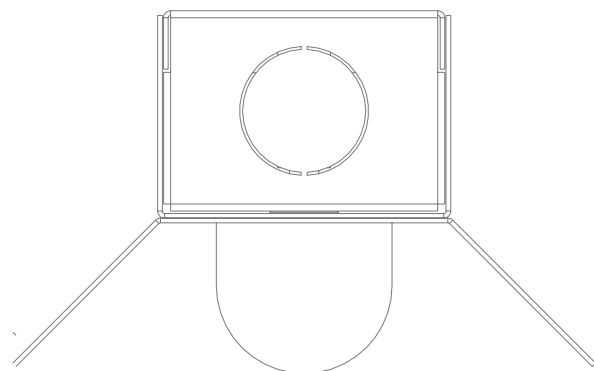


120°
Diffused / Frosted

Dimensions:



Optional Reflector



*E & O.E (Errors And Omissions Excepted)

*Due to the rapid development in LED technology the performance values, power consumption and lumen output levels stated above are subject to change without prior notice.

*All lumen outputs stated above are based a nominal output that included a 10% light loss, this can vary depending on the optic used.

Contact

Cape Town

1B Hansen Close,
Richmond Park,
Cape Town
T. +27 21 555 0570

Durban

Unit L, Nandi Park,
34 Brickworks Way
Briardene
T. +27 31 001 2964

Namibia – Windhoek

Unit 2, Tesoro Building,
31 TV More Street
Windhoek
T. +264 61 40 0339

Johannesburg

17 Galaxy Road,
Unit 5A Galaxy Park,
Linbro Park
T. +27 11 262 5179

Port Elizabeth

216 Main Road,
Walmer
Port Elizabeth
T. +27 41 451 4359