

**RUBICON**  
LIGHTING

**LDF01-12/24V PWM  
DIMMER & FLASHER**

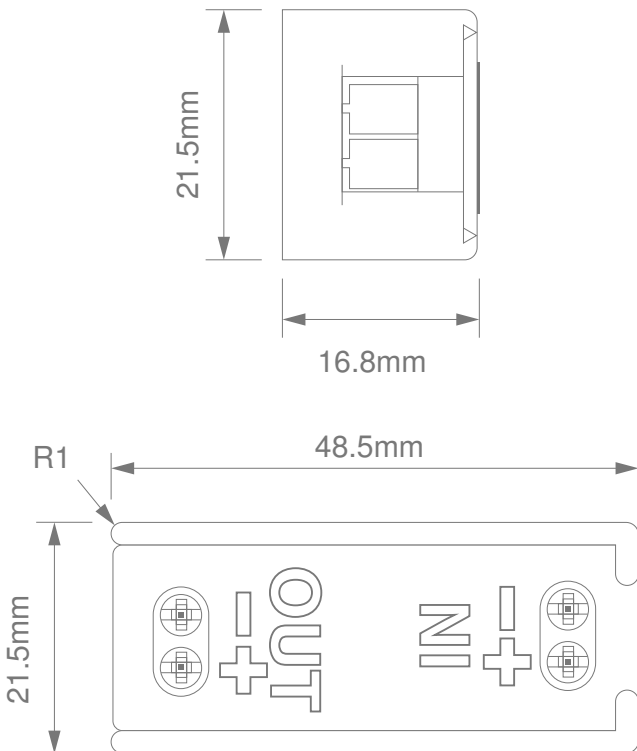


The LDF01-12/24V is a 1kHz DC to DC PWM dimmer with flasher capabilities. The unit can operate on 12 or 24V DC inputs. A 10 position rotary encoder can be used to select dim levels between 10 to 100% or ten different flicker frequency configurations. The device uses a high current FET and is capable of delivering 200W. The controller is supplied in an enclosure with input and output terminals exposed. The unit may only be used to SELV compliant drivers.

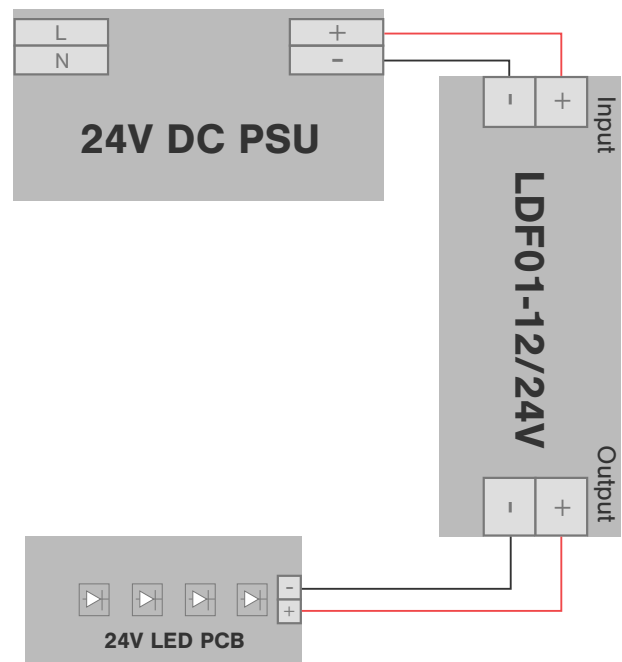
<b>Rated Supply Voltage (Max):</b>	24Vdc
<b>Max. Current Consumption:</b>	<10mA
<b>Dimensions:</b>	48.5mm x 21.5mm x 16.8mm
<b>Warranty:</b>	5 Years



**Dimensions:**



**Wiring Diagram:**



\*E & O.E ( Errors And Omissions Excepted )

# Contact

## Cape Town

1B Hansen Close,  
Richmond Park,  
Cape Town  
T. +27 21 555 0570

## Durban

Unit L, Nandi Park,  
34 Brickworks Way  
Briardene  
T. +27 31 001 2964

## Namibia - Windhoek

Unit 2, Tesoro Building,  
31 TV More Street  
Windhoek  
T. +264 61 40 0339

## Johannesburg

17 Galaxy Road,  
Unit 5A Galaxy Park,  
Linbro Park  
T. +27 11 262 5179

## Port Elizabeth

216 Main Road,  
Walmer  
Port Elizabeth  
T. +27 41 451 4359