

**RUBICON**  
LIGHTING

## Industrial Lighting



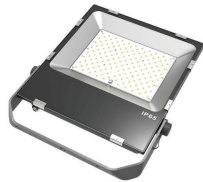
Flood And Canopy Luminaires ( 3-7 )



Actaeon



Atia



Chiron



Merula



Titus

Industrial Luminaires ( 8-19 )



Ariana



Tugela HB



Artemis



Neso



Themisto Lowbay  
Recessed



Themisto Lowbay  
Surface & Suspension



Protega



**Features:**

- Efficacy Of Up To 130lm/W\*
- 40kV Surge Protection
- Operating Temperatures -40° to +60°C
- Minimum Lumen Maintenance: 54 000h (L70B10)

**Ordering Example:** Product Name/CRI/Kelvin/Beam Angle/Wattage (e.g. Actaeon/80/5000/25/250W)

Input Power	LED-Modules	Colour Consistency	Installation Type	Material	Beam Angles	Kelvin
100-277 V	CRI 80+	3-Step MacAdam	Surface Mounted	Aluminium Alloy Body	25° 60° 90° 85° x 150°	3000K 4000K 5000K

Product Code	Dimensions	CRI	K	W (System)	LM (System)
Actaeon/80/5000/150W	314mm x 266mm x 87mm	80+	5000K	150W	19500Lm*
Actaeon/80/5000/200W	402mm x 266mm x 87mm	80+	5000K	200W	26000Lm*
Actaeon/80/5000/250W	490mm x 266mm x 87mm	80+	5000K	250W	31200Lm*
Actaeon/80/5000/300W	578mm x 266mm x 87mm	80+	5000K	300W	39000Lm*
Actaeon/80/5000/400W	430mm x 537mm x 87mm	80+	5000K	400W	52000Lm*
Actaeon/80/5000/480W	518mm x 537mm x 87mm	80+	5000K	480W	62400Lm*
Actaeon/80/5000/600W	606mm x 537mm x 87mm	80+	5000K	600W	78000Lm*
Actaeon/80/5000/800W	726mm x 537mm x 87mm	80+	5000K	800W	104000Lm*
Actaeon/80/5000/960W	958mm x 537mm x 87mm	80+	5000K	960W	124800Lm*

\*Photometric data available on request.



\*Various Kelvin and CRI options available to suit project requirements, available on request.

\*All Lumen Outputs Stated Above Are Based A Nominal Output That Included A 10% Light Loss, This Can Vary Depending On The Optic Used.



**Features:**

- Coastal Quality
- Minimum Lumen Maintenance: 25 000h (L80B10)



**Ordering Example: Product Name/CRI/Kelvin/Beam Angle/Wattage (e.g. Atia/80/4000/120/100W)**

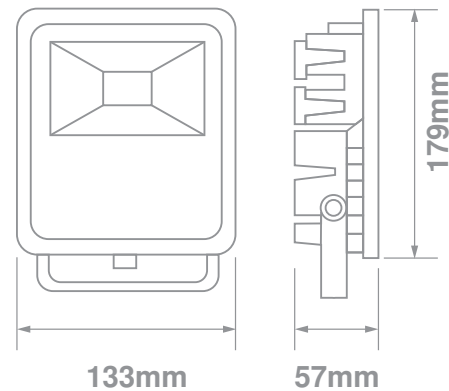
Input Power	Modules	Colour Consistency	Installation Type	Material	Beam Angle	Kelvin
230V	CRI 80+	3-Step MacAdam	Surface Mounted	Thermoplastic Tempered Glass	120°	<span style="color: yellow;">●</span> 3000K <span style="color: lightgreen;">●</span> 4000K

Product Code	Dimensions	CRI	K	W (System)	LM (System)
Atia/80/3000/10W	133mm x 179mm x 57mm	80+	3000K	10W	860Lm*
Atia/80/4000/10W	133mm x 179mm x 57mm	80+	4000K	10W	1040Lm*
Atia/80/3000/100W	250mm x 341mm x 192mm	80+	3000K	100W	11080Lm*
Atia/80/4000/100W	250mm x 341mm x 192mm	80+	4000K	100W	11970Lm*

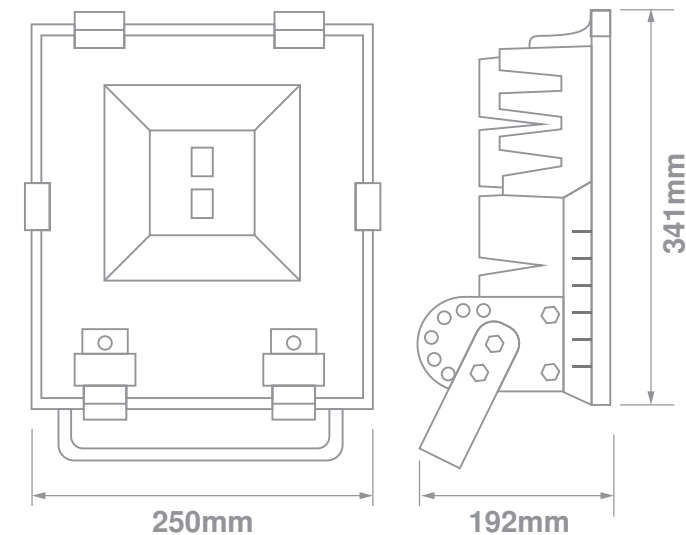
**Dimensions:**

\*Photometric data available on request.

**10W**



**100W**



\*Various Kelvin and CRI options available to suit project requirements, available on request.

*\*All Lumen Outputs Stated Above Are Based A Nominal Output That Included A 10% Light Loss, This Can Vary Depending On The Optic Used.*



**Features:**

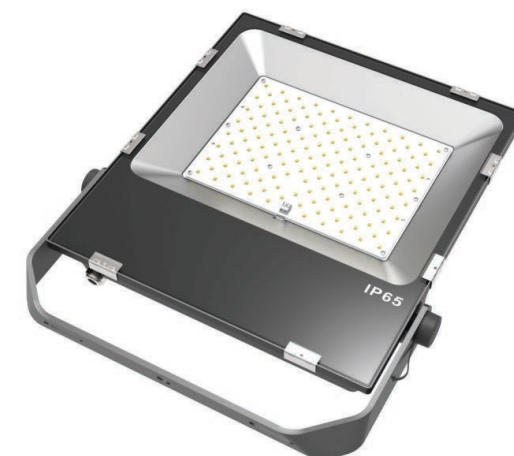
- Efficacy Of Up To 130lm/W\*
- Superior Uniformity
- Operating Temperatures -40° to +60°C
- Minimum Lumen Maintenance: 50 000h (L80B10)

**Ordering Example:**Product Name/CRI/Kelvin/Beam Angle/Wattage (e.g. Chiron/80/5000/110/120W)

Input Power	LED-Modules	Colour Consistency	Installation Type	Material	Beam Angle	Kelvin
85-265 V	CRI 80+	3-Step MacAdam	Surface Mounted	Aluminium Alloy Body	110°	<ul style="list-style-type: none"> <li><span style="color: yellow;">●</span> 3000K</li> <li><span style="color: lightgreen;">●</span> 4000K</li> <li><span style="color: lightblue;">●</span> 5000K</li> </ul>

Product Code	Dimensions	CRI	K	W (System)	LM (System)
Chiron/80/5000/30W	122mm x 200mm x 60mm	80+	5000K	30W	3900Lm*
Chiron/80/5000/80W	150mm x 355mm x 60mm	80+	5000K	80W	10400Lm*
Chiron/80/5000/100W	150mm x 403mm x 60mm	80+	5000K	100W	13000Lm*
Chiron/80/5000/120W	240mm x 431mm x 60mm	80+	5000K	120W	15600Lm*
Chiron/80/5000/150W	180mm x 431mm x 60mm	80+	5000K	150W	19500Lm*
Chiron/80/5000/200W	240mm x 471mm x 60mm	80+	5000K	200W	26000Lm*

\*Photometric data available on request.



*\*Various Kelvin and CRI options available to suit project requirements, available on request.*

*\*All Lumen Outputs Stated Above Are Based A Nominal Output That Included A 10% Light Loss, This Can Vary Depending On The Optic Used.*



**Features:**

- Transparent Glass Diffuser
- Class I Insulation
- Minimum Lumen Maintenance: 50 000h (L70B10)



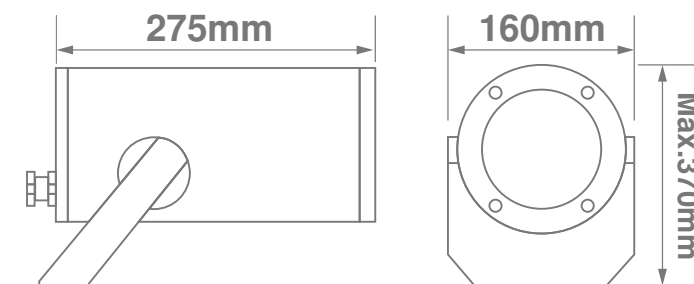
**Ordering Example:** Product Name/CRI/Kelvin/Beam Angle/ Luminaire Colour/Wattage (e.g. Merula/80/3000/38/A/23W)

Input Power	LED-Modules	Colour Consistency	Installation Type	Material	Beam Angle	Luminaire Colour	Kelvin
230 V	CRI 80+	3-Step MacAdam	Adjustable Bracket	Aluminium Body Tempered Glass Diffuser	38°	● Anthracite (A)	● 3000K ○ 4000K

Product Code	Dimensions	CRI	K	W (System)	LM (System)
Merula/80/3000/23W	275mm x 160mm	80+	3000K	23W	3500Lm*
Merula/80/4000/23W	275mm x 160mm	80+	4000K	23W	3500Lm*

**Dimensions:**

\*Photometric data available on request.



\*Various Kelvin and CRI options available to suit project requirements, available on request.

\*All Lumen Outputs Stated Above Are Based A Nominal Output That Included A 10% Light Loss, This Can Vary Depending On The Optic Used.



**Features:**

- Efficacy Of Up To 150lm/W\*
- Class I Protection
- Operating Temperatures -20° to +40°C
- Minimum Lumen Maintenance: 50 000h (L80B10)



**Ordering Example:** Product Name/CRI/Kelvin/Installation Type/Beam Angle/Wattage (e.g. Titus/80/4000/REC/80/120W)

Input Power	LED-Modules	Colour Consistency	Installation Type	Material	Beam Angle	Kelvin
100-277V AC	CRI 80+	6-Step MacAdam	Recessed Mounted (REC) Surface Mounted (SUS)	Aluminium Alloy	80°	3000K 4000K 5700K

Product Code	Dimensions	CRI	K	W (System)	LM (System)
Titus/80/4000/60W	412mm x 412mm x 101mm	80+	4000K	60W	8400Lm*
Titus/80/4000/80W	412mm x 412mm x 101mm	80+	4000K	80W	11200Lm*
Titus/80/4000/100W	412mm x 412mm x 101mm	80+	4000K	100W	14000Lm*
Titus/80/4000/120W	412mm x 412mm x 101mm	80+	4000K	120W	16800Lm*
Titus/80/4000/150W	412mm x 412mm x 101mm	80+	4000K	150W	21000Lm*

**MOUNTING OPTIONS:**

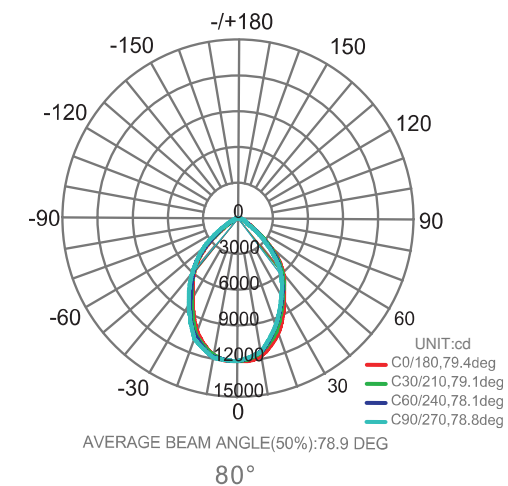
Recessed (REC)



Surface (SUS)



**LIGHT DISTRIBUTION:**



\*Various Kelvin and CRI options available to suit project requirements, available on request.

\*All Lumen Outputs Stated Above Are Based A Nominal Output That Included A 10% Light Loss, This Can Vary Depending On The Optic Used.



**Features:**

- Efficacy Of Up To 170Lm/W\*
- Minimum Lumen Maintenance: 54 000h (L80B10)

**Ordering Example:** Product Name/CRI/Kelvin/Length/Beam Angle/Installation/Luminaire Colour/Wattage (e.g. Ariana/80/4000/1200/90/SUS/B/44W)



Input Power	LED-Modules	Colour Consistency	Installation Type	Material	Beam Angles	Luminaire Colour	Kelvin
220 - 240V	CRI 80+	3-Step MacAdam	Surface Mounted (SUR) Suspension Mounting (SUS)	Mild Steel Body  Aluminium Gear Tray	30° 60° 90° 110°	○ White (W) ● Black (B)  (Custom Colours Available On Request)	● 3000K ○ 4000K ○ 5000K

Product Code	Dimensions	CRI	K	W (System)	LM (System)
--------------	------------	-----	---	------------	-------------

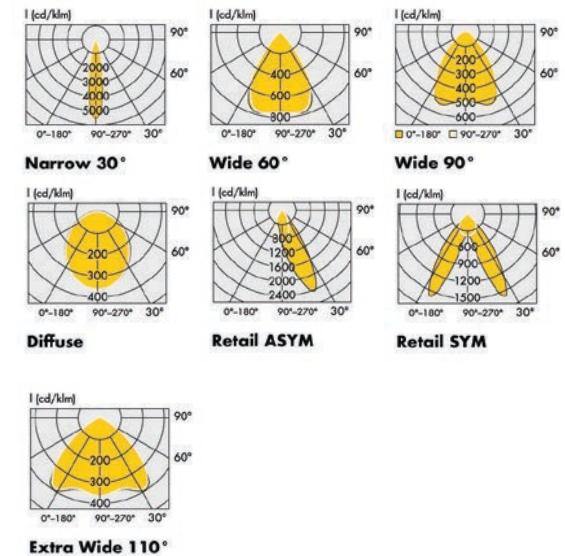
**Low Power**

Ariana/80/4000/1200/90/B/44W	1200mm x 84mm x 65mm	80+	4000K	44W	7400Lm*
Ariana/80/4000/1500/90/B/55W	1500mm x 84mm x 65mm	80+	4000K	55W	9250Lm*
Ariana/80/4000/1700/90/B/65W	1700mm x 84mm x 65mm	80+	4000K	65W	11100Lm*
Ariana/80/4000/1200/90/B/70W	1200mm x 84mm x 65mm	80+	4000K	70W	10124Lm*

**Medium Power**

Ariana/80/4000/1200/90/B/64W	1200mm x 84mm x 65mm	80+	4000K	64W	10350Lm*
Ariana/80/4000/1500/90/B/80W	1500mm x 84mm x 65mm	80+	4000K	80W	12930Lm*
Ariana/80/4000/1500/90/B/88W	1500mm x 84mm x 65mm	80+	4000K	88W	12655Lm*
Ariana/80/4000/1700/90/B/96W	1700mm x 84mm x 65mm	80+	4000K	96W	15500Lm*

**Light Distribution:**



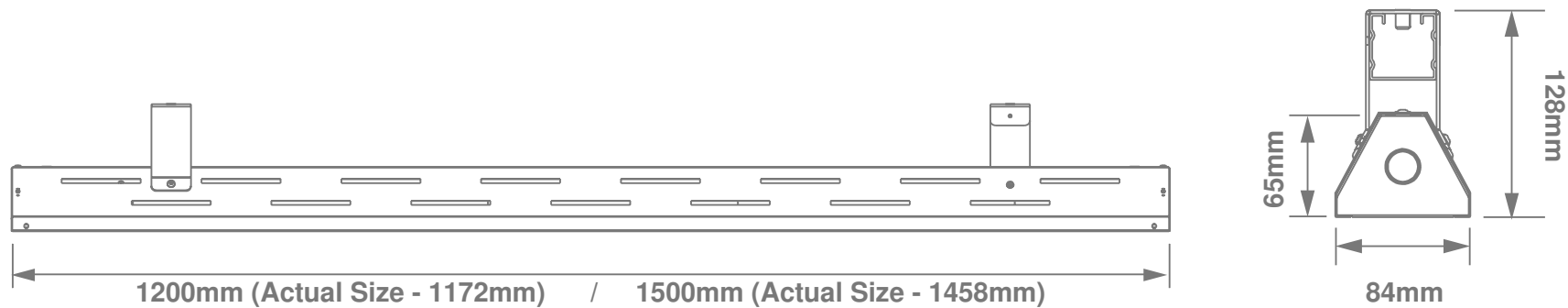
\*Various Kelvin and CRI options available to suit project requirements, available on request.

\*All Lumen Outputs Stated Above Are Based A Nominal Output That Included A 10% Light Loss, This Can Vary Depending On The Optic Used.



Product Code	Dimensions	CRI	K	W (System)	LM (System)
<b>High Power</b>					
Ariana/80/4000/1200/90/B/93W	1200mm x 84mm x 65mm	80+	4000K	93W	14070Lm*
Ariana/80/4000/1500/90/B/117W	1500mm x 84mm x 65mm	80+	4000K	117W	17600Lm*
Ariana/80/4000/1700/90/B/140W	1700mm x 84mm x 65mm	80+	4000K	140W	21100Lm*

**Dimensions:**



*\*Various Kelvin and CRI options available to suit project requirements, available on request.*

*\*All Lumen Outputs Stated Above Are Based A Nominal Output That Included A 10% Light Loss, This Can Vary Depending On The Optic Used.*



**Features:**

- Extruded Aluminium Housing
- Variable Beam Optics
- Manufactured in South Africa
- Operating Temperature: -20°C~40°C
- Minimum Lumen Maintenance: 54 000h (L90B10)

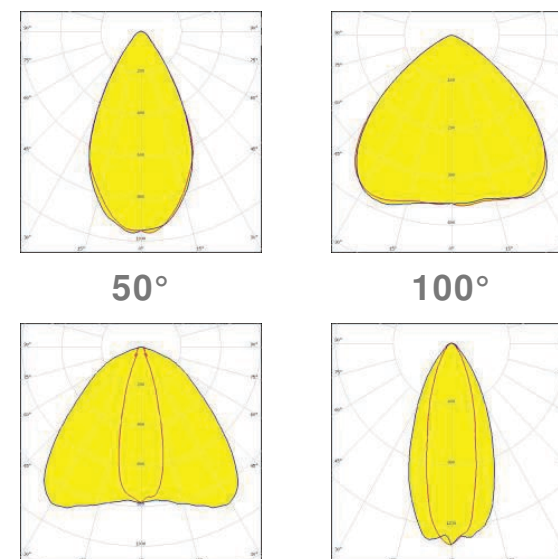


**Ordering Example:** Product Name/CRI/Kelvin/Length/Beam Angle/Luminaire Colour/Wattage (e.g. Tugela HB/80/4000/1200/50/B/132W)

Input Power	LED-Modules	Colour Consistency	Installation Type	Material	Beam Angles	Luminaire Colour	Kelvin
230V AC +/-10%	CRI 80+	3-Step MacAdam	Surface Mounted Suspension Mounting	Powder Coated Extruded Aluminium Body  Aluminium Gear Tray  UV Stabilized PMMA Lens	50° 100° 15° x 50°(OvalN) 20° x 115°(OvalW)	○ White (W) ● Black (B)  (Custom Colours Available On Request)	● 4000K ● 5000K

Product Code	Dimensions	CRI	K	W (System)	LM (System)
<b>High Power</b>					
Tugela HB/80/4000/1200/50/108W	1200mm x 108mm x 79mm	80+	4000K	108W	17558Lm*
Tugela HB/80/4000/1200/50/132W	1200mm x 108mm x 79mm	80+	4000K	132W	20684Lm*
Tugela HB/80/4000/1200/50/156W	1200mm x 108mm x 79mm	80+	4000K	156W	23641Lm*
Tugela HB/80/4000/1500/50/143W	1500mm x 108mm x 79mm	80+	4000K	143W	23410Lm*
Tugela HB/80/4000/1500/50/175W	1500mm x 108mm x 79mm	80+	4000K	175W	27579Lm*
Tugela HB/80/4000/1500/50/208W	1500mm x 108mm x 79mm	80+	4000K	208W	31521Lm*

**LIGHT DISTRIBUTION**

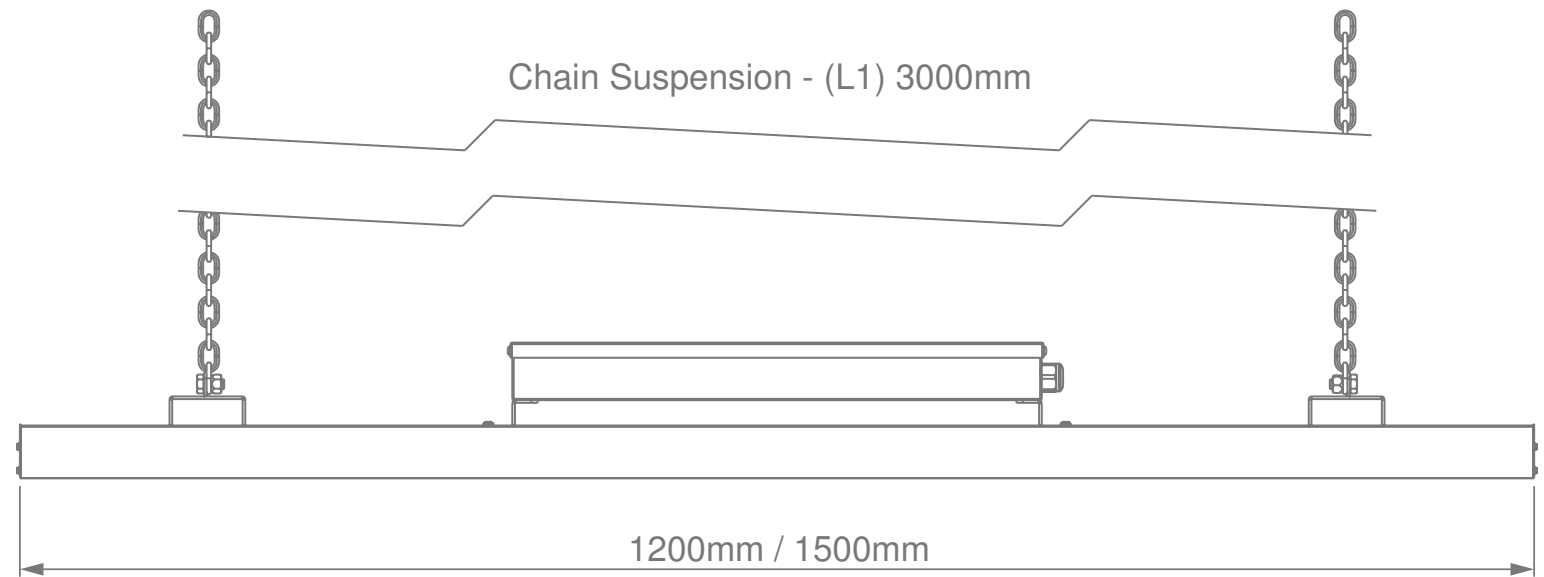
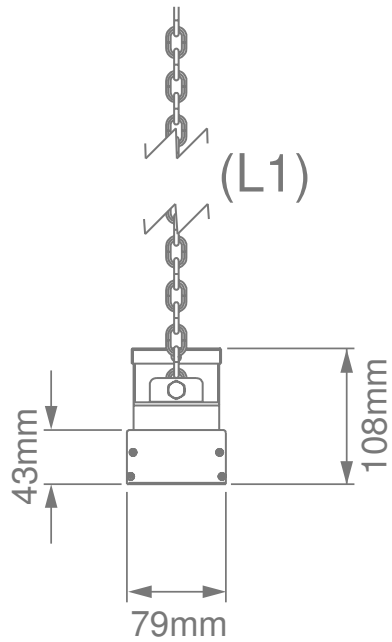


20° x 115° (Oval W) 15° x 50° (Oval N)

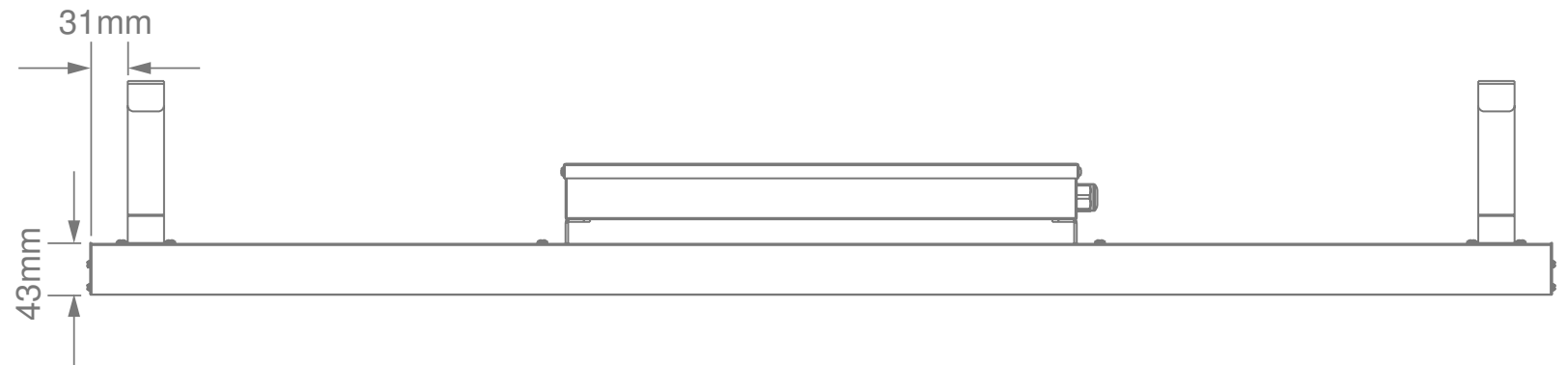
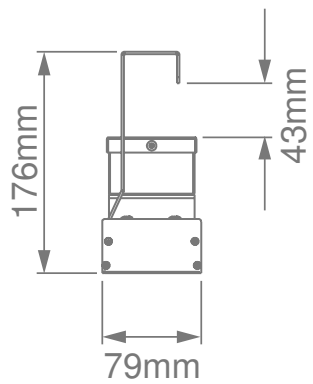
\*Various Kelvin and CRI options available to suit project requirements, available on request.  
\*All Lumen Outputs Stated Above Are Based A Nominal Output That Included A 10% Light Loss, This Can Vary Depending On The Optic Used.

## Dimensions:

### Chain Suspension Mount



### P2000 Surface Mount





**Features:**

- Efficacy Of Up To 160Lm/W\*
- Minimum Lumen Maintenance: 50 000h (L80B10)
- Operating Range: -30°~+50°



**Ordering Example:**Product Name/CRI/Kelvin/Beam Angle/Wattage (e.g. Artemis/70/5000/120/100W)

Input Power	LED-Modules	Colour Consistency	Installation Type	Material	Beam Angles	Kelvin
220-240V AC	CRI 70+ / CRI 80+	3-Step MacAdam	Chain Suspension Rope Suspension Cable Suspension	Aluminium Alloy Body  Polycarbonate Optical Lens	60° 90° 120°	<ul style="list-style-type: none"> <li><span style="color: yellow;">●</span> 3000K</li> <li><span style="color: lightgreen;">●</span> 4000K</li> <li><span style="color: lightblue;">●</span> 5000K</li> </ul>

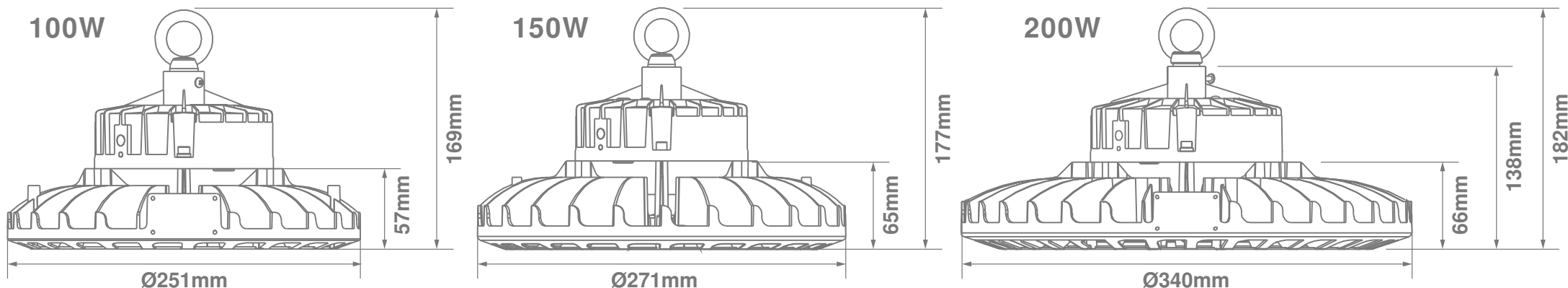
CONTROL OPTIONS:

- Daylight Sensor
- Occupancy Sensor
- Zigbee Wireless

Product Code	Dimensions	CRI	K	W (System)	LM (System)
Artemis/70/5000/100W	Ø251mm x 176mm (Ø25mm Eye Bolt)	70+	5000K	100W	16000Lm*
Artemis/70/5000/150W	Ø271mm x 184mm (Ø25mm Eye Bolt)	70+	5000K	150W	24000Lm*
Artemis/70/5000/200W	Ø341mm x 185mm (Ø25mm Eye Bolt)	70+	5000K	200W	32000Lm*

*\*Various Kelvin and CRI options available to suit project requirements, available on request.*

**Dimensions:**



*\*All Lumen Outputs Stated Above Are Based A Nominal Output That Included A 10% Light Loss, This Can Vary Depending On The Optic Used.*



**Features:**

- Efficacy Of Up To 135lm/W\*
- Operating Temperature: -30°C to + 50°C
- Waterproofing Gasket
- Minimum Lumen Maintenance: 50 000h (L80B10)



**Ordering Example:** Product Name/CRI/Kelvin/Beam Angle/Installation Type/Wattage (e.g. Neso/80/5000/120/FC/50W)

Input Power	LED-Modules	Colour Consistency	Installation Type	Material	Beam Angles	Kelvin
100-240V	CRI 70+ / CRI 80+	3-Step MacAdam	Cable Suspension (CS) Mobile Ceiling Mounted (MC) Fixed Ceiling Mounted (FC)	Powder Coated Aluminium Alloy Body  Polycarbonate Optical Lens	30° x 70° 60° x 90° 40° x 130° 90° 120°	3000K 4000K 5000K

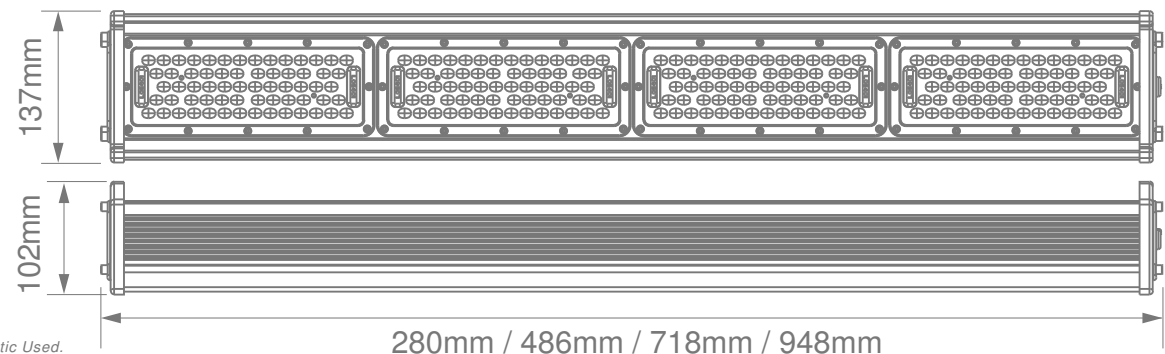
  

Product Code	Dimensions	CRI	K	W (System)	LM (System)
Neso/80/4000/50W	280mm x 137mm x 102mm	70+	5000K	50W	6750Lm*
Neso/80/4000/100W	486mm x 137mm x 102mm	70+	5000K	100W	13500Lm*
Neso/80/4000/150W	718mm x 137mm x 102mm	70+	5000K	150W	20250Lm*
Neso/80/4000/200W	948mm x 137mm x 102mm	70+	5000K	200W	27000Lm*

**CONTROL OPTIONS:**

- Daylight Sensor Control
- Motion Sensor
- Zigbee Wireless Control

*\*Various Kelvin and CRI options available to suit project requirements, available on request.*



\*All Lumen Outputs Stated Above Are Based A Nominal Output That Included A 10% Light Loss, This Can Vary Depending On The Optic Used.



**Features:**

- Efficacy Of Up To 165Lm/W\*
- Built In Surge Protection
- Operating Range -20°C ~ 35°C
- Low Ripple Rate < 5% @ 120Hz
- LED Driver Housed Internally
- Designed And Manufactured Locally
- Additional 10kA Inline Surge Protections (On Request)
- Minimum Lumen Maintenance: 54 000h (L90B10)

**Typical Applications:**

- Lecture Halls
- Terminal Halls
- Isle Illumination
- Large Retail Spaces
- Continuous Light Runs
- Commercial Offices And Boardrooms



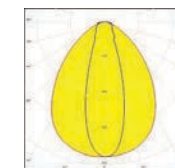
**Ordering Example:** Product Name/Size/Colour/Kelvin/Beam Angle/Wattage (e.g. ThemistoLinearLowBay/920/B/4000/60/24W)

Input Power	LED-Modules	Colour Consistency	Installation Type	Material		Luminaire Colour
220 - 240V	CRI 80+	3-Step MacAdam	Recessed, Ceiling Mounted Luminaire	Powder Coated Extruded Aluminium Clear Acrylic Lens	Oval (35° x 70°) 60° 90° 110°	<input type="radio"/> White (W) <input type="radio"/> Black (B) <input type="radio"/> Silver (S)

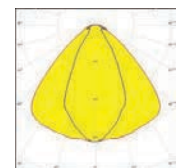
Product Code	Dimensions	CRI	K	W (System)	LM (System)	Kelvin
<b>Low Power</b>						
ThemistoLB/900/4000/25W	920mm x 73mm x 53mm (900mm x 53mm Cut-Out)	80+	4000K	26W	3444Lm*	<input type="radio"/> 3000K <input type="radio"/> 4000K
ThemistoLB/1200/4000/34W	1220mm x 73mm x 53mm (1200mm x 53mm Cut-Out)	80+	4000K	34W	4592Lm*	
ThemistoLB/1500/4000/43W	1520mm x 73mm x 53mm (1500mm x 53mm Cut-Out)	80+	4000K	43W	5740Lm*	
ThemistoLB/1700/4000/76W	1720mm x 73mm x 53mm (1700mm x 53mm Cut-Out)	80+	4000K	76W	9519Lm*	

<b>Medium Power</b>						
ThemistoLB/900/4000/38W	920mm x 73mm x 53mm (900mm x 53mm Cut-Out)	80+	4000K	38W	4760Lm*	
ThemistoLB/1200/4000/51W	1220mm x 73mm x 53mm (1200mm x 53mm Cut-Out)	80+	4000K	51W	6346Lm*	
ThemistoLB/1500/4000/63W	1520mm x 73mm x 53mm (1500mm x 53mm Cut-Out)	80+	4000K	63W	7933Lm*	
ThemistoLB/1700/4000/76W	1720mm x 73mm x 53mm (1700mm x 53mm Cut-Out)	80+	4000K	76W	9519Lm*	

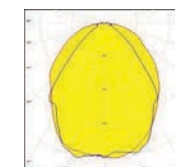
**Beam Angles:**



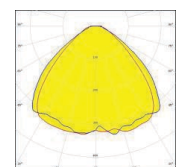
Oval 35 x 70°



60°



90°



110°

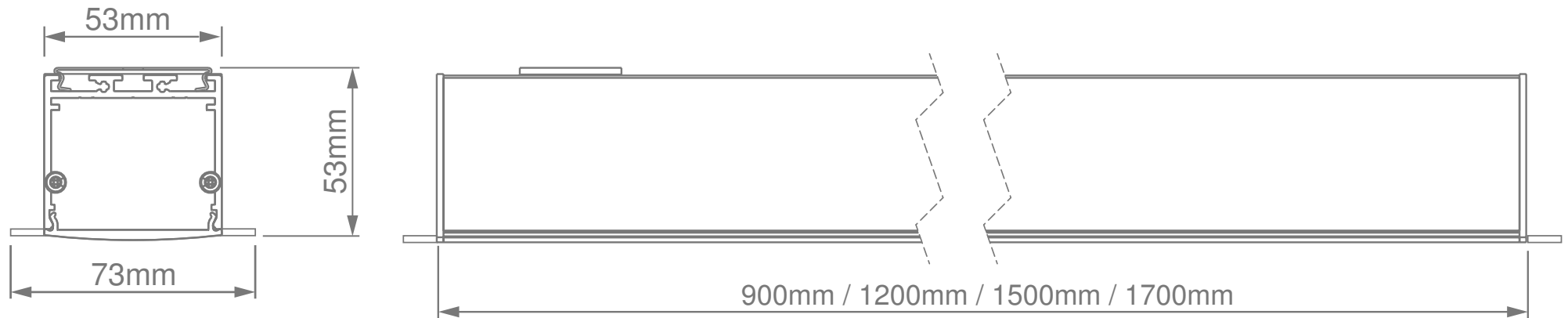
\*Various Kelvin and CRI options available to suit project requirements, available on request.

\*All Lumen Outputs Stated Above Are Based A Nominal Output That Included A 10% Light Loss, This Can Vary Depending On The Optic Used.

Product Code	Dimensions	CRI	K	W (System)	LM (System)
<b>High Power</b>					
ThemistoLB/900/4000/55W	920mm x 73mm x 53mm (900mm x 53mm Cut-Out)	80+	4000K	55W	6324Lm*
ThemistoLB/1200/4000/74W	1220mm x 73mm x 53mm (1200mm x 53mm Cut-Out)	80+	4000K	74W	8432Lm*
ThemistoLB/1500/4000/92W	1520mm x 73mm x 53mm (1500mm x 53mm Cut-Out)	80+	4000K	92W	10540Lm*
ThemistoLB/2300/4000/120W (2R)	2320mm x 73mm x 53mm (2300mm x 53mm Cut-Out)	80+	4000K	120W	19209Lm*

*\*Please Note The 2R Option Uses Specific Optics, Please Check With Your Relevant Sales Representative For Details.*

## Dimensions:



*\*Various Kelvin and CRI options available to suit project requirements, available on request.*

*\*All Lumen Outputs Stated Above Are Based A Nominal Output That Included A 10% Light Loss, This Can Vary Depending On The Optic Used.*



**Features:**

- Efficacy Of Up To 165Lm/W\*
- Built In Surge Protection
- Operating Range -20°C ~ 35°C
- Low Ripple Rate < 5% @ 120Hz
- LED Driver Housed Internally
- Designed And Manufactured Locally
- Additional 10kA Inline Surge Protections (On Request)
- Minimum Lumen Maintenance: 54 000h (L90B10)

**Typical Applications:**

- Lecture Halls
- Terminal Halls
- Isle Illumination
- Large Retail Spaces
- Continuous Light Runs
- Commercial Offices And Boardrooms



**Ordering Example:** Product Name/Installation/Length/Colour/Kelvin/Beam Angle/Wattage (e.g. ThemistoLowBay55/SUR/900/B/4000/60/26W)

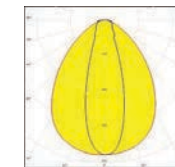
Input Power	LED-Modules	Colour Consistency	Installation Type	Material	Beam Angles	Luminaire Colour
220 - 240V	CRI 80+	3-Step MacAdam	Surface (SUS) Suspension (SUS)	Powder Coated Extruded Aluminium Clear Acrylic Lens	Oval (35° x 70°) 60° 90° 110°	<input type="radio"/> White (W) <input type="radio"/> Black (B) <input type="radio"/> Silver (S)

Product Code	Dimensions	CRI	K	W (System)	LM (System)	Kelvin
<b>Low Power</b>						
ThemistoLB/900/4000/25W	900mm x 53mm x 53mm	80+	4000K	26W	3444Lm*	<input type="radio"/> 3000K <input type="radio"/> 4000K
ThemistoLB/1200/4000/34W	1200mm x 53mm x 53mm	80+	4000K	34W	4592Lm*	
ThemistoLB/1500/4000/43W	1500mm x 53mm x 53mm	80+	4000K	43W	5740Lm*	
ThemistoLB/1700/4000/76W	1700mm x 53mm x 53mm	80+	4000K	76W	9519Lm*	

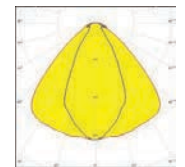
**Medium Power**

ThemistoLB/900/4000/38W	900mm x 53mm x 53mm	80+	4000K	38W	4760Lm*
ThemistoLB/1200/4000/51W	1200mm x 53mm x 53mm	80+	4000K	51W	6346Lm*
ThemistoLB/1500/4000/63W	1500mm x 53mm x 53mm	80+	4000K	63W	7933Lm*
ThemistoLB/1700/4000/76W	1700mm x 53mm x 53mm	80+	4000K	76W	9519Lm*

**Beam Angles:**



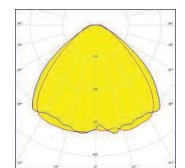
Oval 35 x 70°



60°



90°



110°

\*Various Kelvin and CRI options available to suit project requirements, available on request.

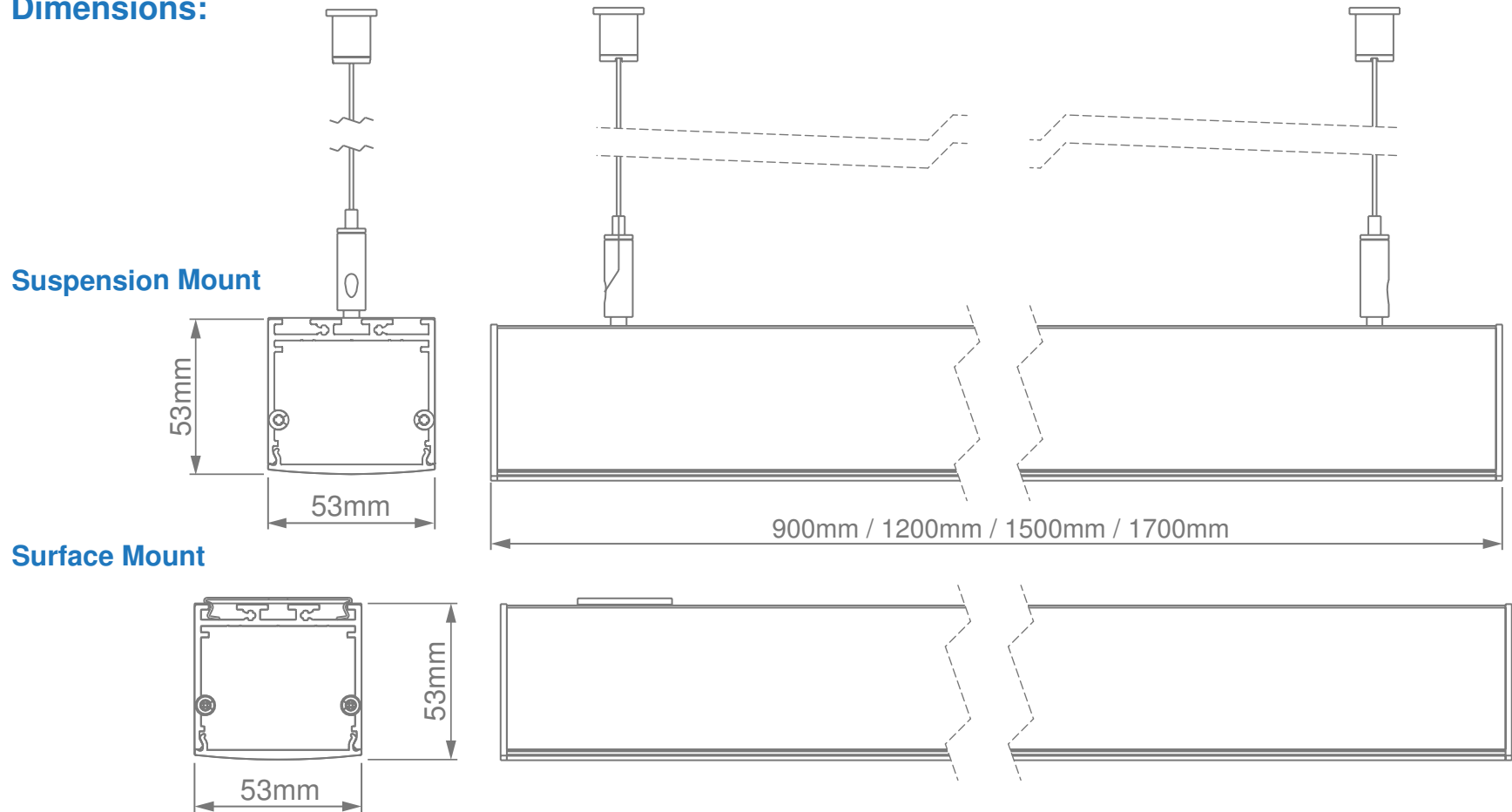
\*All Lumen Outputs Stated Above Are Based A Nominal Output That Included A 10% Light Loss, This Can Vary Depending On The Optic Used.



Product Code	Dimensions	CRI	K	W (System)	LM (System)
<b>High Power</b>					
ThemistoLB/900/4000/55W	900mm x 53mm x 53mm	80+	4000K	55W	6324Lm*
ThemistoLB/1200/4000/74W	1200mm x 53mm x 53mm	80+	4000K	74W	8432Lm*
ThemistoLB/1500/4000/92W	1500mm x 53mm x 53mm	80+	4000K	92W	10540Lm*
ThemistoLB/2300/4000/120W (2R)	2300mm x 53mm x 53mm	80+	4000K	120W	19209Lm*

\*Please Note The 2R Option Uses Specific Optics, Please Check With Your Relevant Sales Representative For Details.

## Dimensions:



\*Various Kelvin and CRI options available to suit project requirements, available on request.

\*All Lumen Outputs Stated Above Are Based A Nominal Output That Included A 10% Light Loss, This Can Vary Depending On The Optic Used.



**Features:**

- Efficacy Of Up To 120lm/W\*
- Ingress Protection 65 On Request
- Operating Temperature Range: -20°C to 35°C (Ta Ambient)
- Emergency Backup Option Available On Request
- Minimum Lumen Maintenance: 50 000h (L80B10)

**Typical Applications:**

- Isle Illumination
- Large Retail Spaces
- Lecture Halls
- Class Rooms
- Store Rooms
- Continuous Light Runs
- Basement Parking
- Typical Mounting Heights Between 2,5m To 4,0m

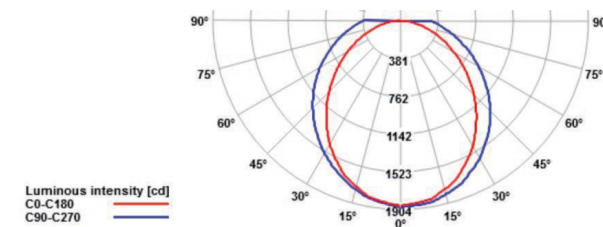


**Ordering Example:** Product Name/CRI/Kelvin/Installation Type/Length/Luminaire Colour/Wattage (e.g. Protega/80/4000/SUR/600/B/17W)

Input Power	LED-Modules	Colour Consistency	Installation Type	Material	Luminaire Colour	Kelvin
220-240 V	CRI 80+	3-Step MacAdam	Surface (SUR) Suspension Mounted (SUS)	High Impact Extruded Acrylic & ABS	<input type="radio"/> White (W) <input checked="" type="radio"/> Black (B) Other Colours Available On Request	<input checked="" type="radio"/> 4000K <input type="radio"/> 5000K

Product Code	Dimensions	CRI	K	W (System)	LM (System)
<b>Low Power</b>					
Protega/80/4000/17W	600mm x 61mm x 79mm	80+	4000K	17W	2016Lm*
Protega/80/4000/26W	900mm x 61mm x 79mm	80+	4000K	26W	3024Lm*
Protega/80/4000/34W	1200mm x 61mm x 79mm	80+	4000K	34W	4032Lm*
Protega/80/4000/43W	1500mm x 61mm x 79mm	80+	4000K	43W	5040Lm*
Protega/80/4000/51W	1700mm x 61mm x 79mm	80+	4000K	51W	6048Lm*
Protega/80/4000/68W	2300mm x 61mm x 79mm	80+	4000K	68W	8064Lm*

**Light Distribution:**



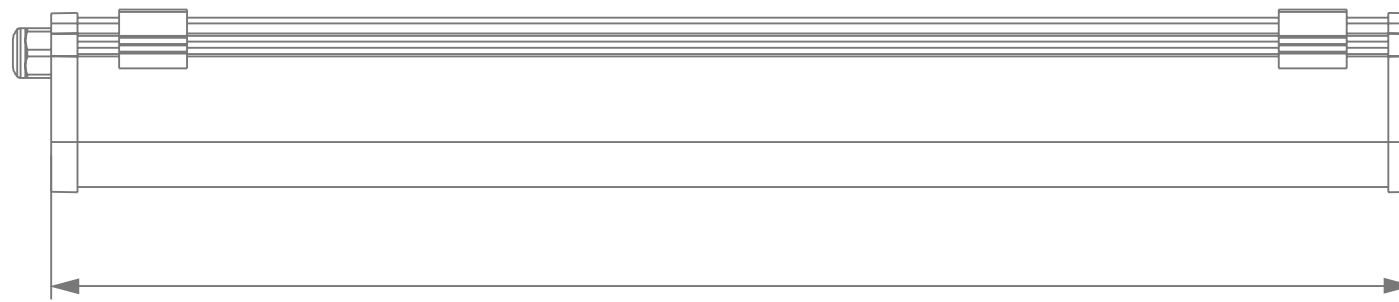
\*Various Kelvin and CRI options available to suit project requirements, available on request.

\*All Lumen Outputs Stated Above Are Based A Nominal Output That Included A 10% Light Loss, This Can Vary Depending On The Optic Used.

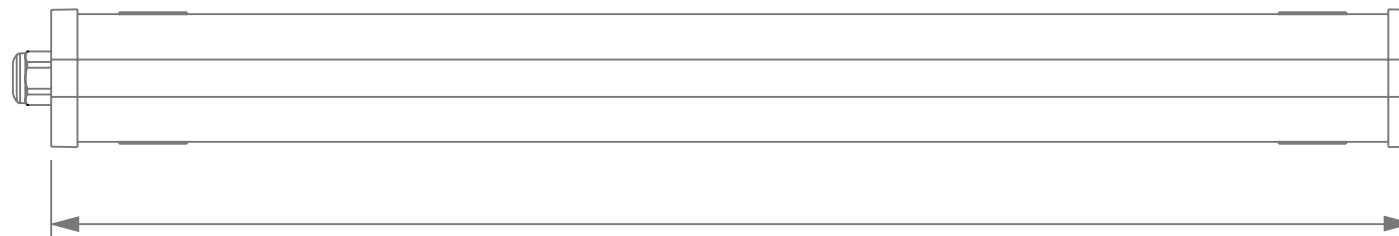
Product Code	Dimensions	CRI	K	W (System)	LM (System)
<b>Medium Power</b>					
Protega/80/4000/25W	600mm x 61mm x 79mm	80+	4000K	25W	2786Lm*
Protega/80/4000/38W	900mm x 61mm x 79mm	80+	4000K	38W	4762Lm*
Protega/80/4000/50W	1200mm x 61mm x 79mm	80+	4000K	50W	5572Lm*
Protega/80/4000/63W	1500mm x 61mm x 79mm	80+	4000K	63W	6966Lm*
Protega/80/4000/75W	1700mm x 61mm x 79mm	80+	4000K	75W	8358Lm*
Protega/80/4000/100W	2300mm x 61mm x 79mm	80+	4000K	100W	11144Lm*

**\*Eco & High Power Options Are Available On Request\***

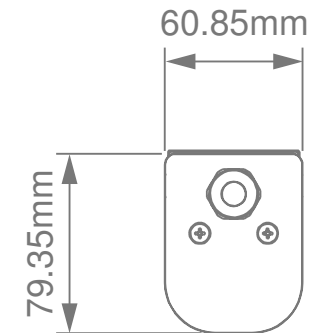
**Dimensions:**



600mm / 900mm / 1200mm / 1500mm / 1700mm / 2300mm



600mm / 900mm / 1200mm / 1500mm / 1700mm / 2300mm



*\*Various Kelvin and CRI options available to suit project requirements, available on request.*

*\*All Lumen Outputs Stated Above Are Based A Nominal Output That Included A 10% Light Loss, This Can Vary Depending On The Optic Used.*

A nighttime cityscape featuring a prominent skyscraper with the Comcast logo illuminated at the top. The building is surrounded by other lit-up structures, creating a vibrant urban scene.

# Contact

## Cape Town

1B Hansen Close,  
Richmond Park,  
Cape Town  
T. +27 21 555 0570

## Durban

Unit L, Nandi Park,  
34 Brickworks Way  
Briardene  
T. +27 31 001 2964

## Namibia - Windhoek

Unit 2, Tesoro Building,  
31 TV More Street  
Windhoek  
T. +264 61 40 0339

## Johannesburg

17 Galaxy Road,  
Unit 5A Galaxy Park,  
Linbro Park  
T. +27 11 262 5179

## Port Elizabeth

216 Main Road,  
Walmer  
Port Elizabeth  
T. +27 41 451 4359