

RUBICON
LIGHTING

**HELLAS
6X6 PANEL**





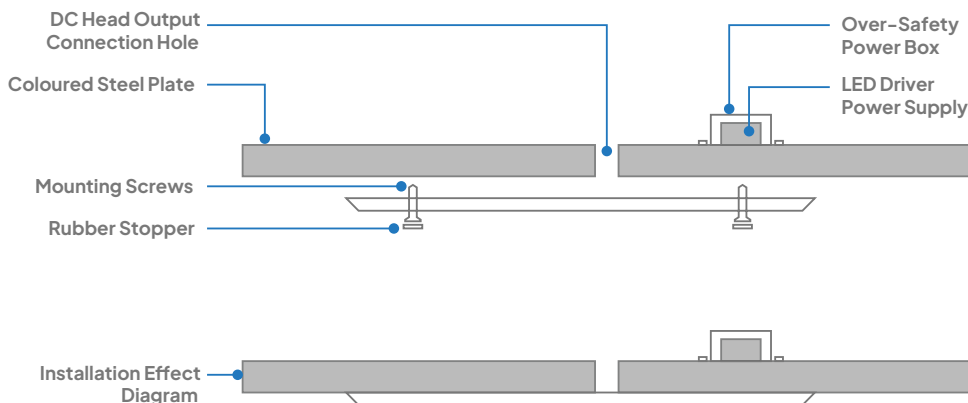
Features:

- Efficacy Of Up To 100Lm/W*
- Silicone Strip + Gasket + M12 Cable Outlet
- Flicker Free IP65 LED Drive
- Bluetooth Control Option Available (On Request)
- Emergency Backup Option Available (On Request)
- PMMA Light Guide Panel
- Minimum Lumen Maintenance: 50 000h (L70B10)



Power Supply:	220-240V AC 50 - 60Hz			
Operating Temperature Range: (Ta - Ambient)	- 20°C to 35°C			
Dimming:	Dali_1-10V (On Request)			
Colour Rendering Index:	CRI 80+			
Colour Temperature: (Kelvin / CCT)	<input checked="" type="radio"/> 3000K <input type="radio"/> 5000K <input type="radio"/> 4000K			
Beam Angle:	110°			
Installation Type:	Surface Mounted			
Ingress Protection:	IP65			
IK Rating:	IK06			
Luminaire Colour:	<input checked="" type="radio"/> White			
Material:	Housing - Powder Coated Steel Diffuser - PMMA			
	Dimensions	Wattage (System)	Kelvin	Luminous Flux (Effective)
	620mm x 620mm x 15mm	40W	4000K	4000Lm*

Installation:



*E & O.E (Errors And Omissions Excepted)

*Due to the rapid development in LED technology the performance values, power consumption and lumen output levels stated above are subject to change without prior notice.

*All lumen outputs stated above are based a nominal output that included a 10% light loss, this can vary depending on the optic used.

Product Details:



M12 Cable Outlet

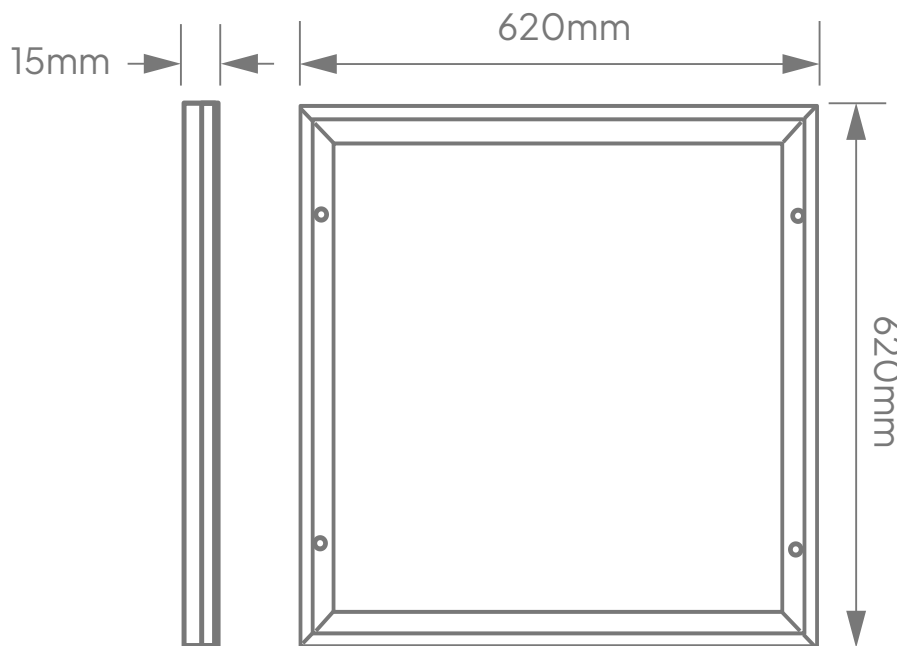


SlopeFrame Design, Blow Dust Away Easily



Installation Hole To Screw Directly Onto Ceiling

Dimensions:



*E & O.E (Errors And Omissions Excepted)

*Due to the rapid development in LED technology the performance values, power consumption and lumen output levels stated above are subject to change without prior notice.

*All lumen outputs stated above are based a nominal output that included a 10% light loss, this can vary depending on the optic used.

Contact

Cape Town

1B Hansen Close,
Richmond Park,
Cape Town
T. +27 21 555 0570

Durban

Unit L, Nandi Park,
34 Brickworks Way
Briardene
T. +27 31 001 2964

Namibia – Windhoek

Unit 2, Tesoro Building,
31 TV More Street
Windhoek
T. +264 61 40 0339

Johannesburg

17 Galaxy Road,
Unit 5A Galaxy Park,
Linbro Park
T. +27 11 262 5179

Port Elizabeth

216 Main Road,
Walmer
Port Elizabeth
T. +27 41 451 4359