

**RUBICON**  
LIGHTING

## Exterior Lighting



Architectural Lighting ( 5-33 )



Aqua Pond



Argon



Aurelia Round 130



Aurelia Round 180



Aurelia Square



Convert Large



Convert Small



Falco



Livia 185



Livia 225



Maximus Round RGB 130



Maximus Round RGB 180



Maximus Square RGB



Mira



Mira Surface



Ray



Sura Duo



Sura Quadro



Tiberius 125



Tiberius 185



Tiberius 225



Tron Large



Tron Small



Vita Round Adjustable



Vita Round Fixed



Vita Square Adjustable



Vita Square Fixed



Vita Tech



Vonda

Post Tops And Bollards ( 34-42 )



Bentley Bollard



Cubik LED



Newton LED



Urban Bollard



Sagitta Bollard



Lotus Bollard



Hasu Bollard



Lotus Post Top



Loro Post Top

Solar Lighting ( 43-53)



Carina 1



Carina 2



Carina 4



Gemini



Menelaus



Pictor Area



Pictor Road



Sagitta



Tucana



Volans



Volans Sensor

Street Lighting ( 54-58 )



Cicero



Kimi



Nestor



Primus

Wall Mounted Luminaires ( 59-70 )



Abbe 150



Abbe 250



Cort 80



Cort 152



Diona



Lon 46



Lon 90



Mediterranean



Saturn



Themisto Wall Washer

GU10 - Wall Mounted Luminaires ( 71-75 )



Amara 90



Amara 180



Sophia 120



Sophia 215



Block 2



**Features:**

- Safety Extra Low Voltage Insulation
- Pulse-Width Modulation Dimming
- Minimum Lumen Maintenance: 50 000h (L70B30)

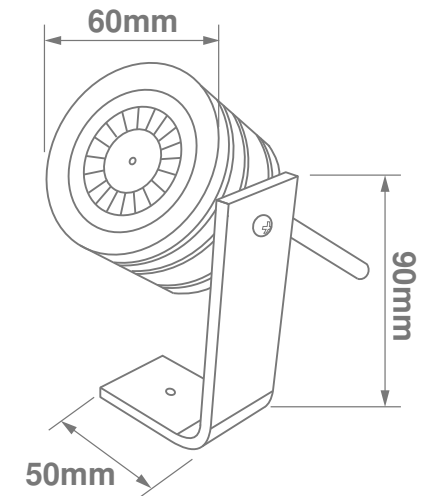


**Ordering Example:** Product Name/CRI/Kelvin/Luminaire Colour/Wattage (e.g. AquaPond/80/3000/B/5.5W)

Input Power	LED-Modules	Colour Consistency	Installation Type	Material	Beam Angles	Luminaire Colour	Kelvin
110-220 V	CRI 80+	3-Step MacAdam	Surface Mounted	CNC Machined Solid Aluminium	-	<ul style="list-style-type: none"> <li>● Alu Anodised (A)</li> <li>● Black (B)</li> </ul>	<ul style="list-style-type: none"> <li>● 3000K</li> </ul>

Product Code	Dimensions	CRI	K	W (System)	LM (System)
AquaPond/80/3000/5.5W	90mm x 60mm x 50mm	80+	3000K	5.5W	700Lm*

**Dimensions:**



\*Photometric data available on request.

*\*All Lumen Outputs Stated Above Are Based A Nominal Output That Included A 10% Light Loss, This Can Vary Depending On The Optic Used.*



**Features:**

- Tempered Glass
- Minimum Lumen Maintenance: 50 000h (L70B30)

**Ordering Example:**Product Name/CRI/Kelvin/Diffuser/Wattage (e.g. Argon/80/3000/3KD/2W)

Input Power	LED-Modules	Colour Consistency	Installation Type	Material	Beam Angles	Kelvin
100-240 V	CRI 80+	3-Step MacAdam	Recessed Ground	High Grade Aluminium Body Glass Diffuser	-	<span style="color: yellow;">●</span> 3000K <span style="color: lightgrey;">●</span> 4000K

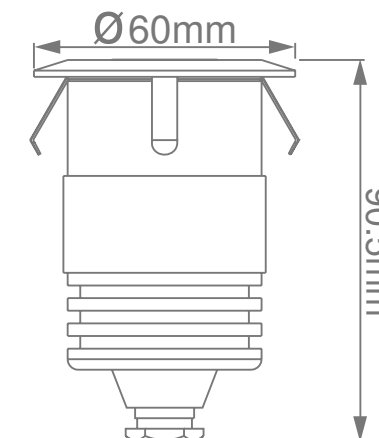


Product Code	Dimensions	CRI	K	W (System)	LM (System)
Argon/80/3000/2W	Ø60mm x 90.5mm	80+	3000K	2W	184Lm*
Argon/80/4000/2W	Ø60mm x 90.5mm	80+	4000K	2W	184Lm*
Argon/80/3000/1W	Ø60mm x 90.5mm	80+	3000K	1W	107Lm*
Argon/80/4000/1W	Ø60mm x 90.5mm	80+	4000K	1W	107Lm*

**Includes:**



**Dimensions:**



**Clear Diffusers**

- 3000 Kelvin ○ (3KD)
- 4000 Kelvin ○ (4KD)

**Coloured Diffusers**

- (CDR) ● (CDB)
- (CDY) ● (CDG)

*\*Various Kelvin and Diffuser options available to suit project requirements, available on request.*

*\*All Lumen Outputs Stated Above Are Based A Nominal Output That Included A 10% Light Loss, This Can Vary Depending On The Optic Used.*



**Features:**

- Inox AISI 316 Stainless Steel
- Tempered Glass
- Minimum Lumen Maintenance: 50 000h (L70B30)

**Ordering Example:**Product Name/CRI/Kelvin/Beam Angle/Wattage (e.g. AureliaR130/80/4000/25/6W)

Input Power	LED-Modules	Colour Consistency	Installation Type	Material	Beam Angles	Kelvin
100-240 V	CRI 80+	3-Step MacAdam	Recessed Ground	Stainless Steel & Aluminium Body  Glass Diffuser	25° 45° Diffuser Filter	<span style="color: yellow;">●</span> 3000K <span style="color: lightgrey;">●</span> 4000K

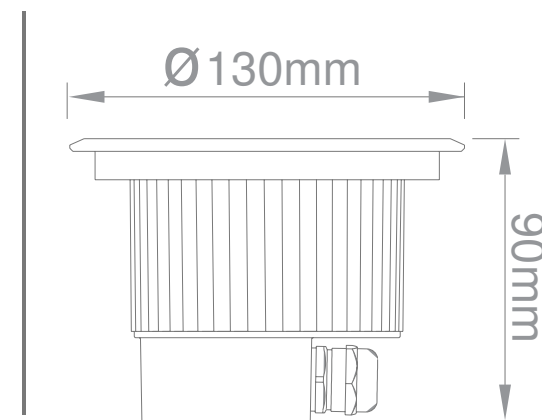


Product Code	Dimensions	CRI	K	W (System)	LM (System)
AureliaR130/80/3000/6W	Ø130mm x 90mm	80+	3000K	6W	522Lm*
AureliaR130/80/4000/6W	Ø130mm x 90mm	80+	4000K	6W	549Lm*

**Includes:**



**Dimensions:**



\*Various Kelvin and CRI options available to suit project requirements, available on request.

\*All Lumen Outputs Stated Above Are Based A Nominal Output That Included A 10% Light Loss, This Can Vary Depending On The Optic Used.



**Features:**

- Inox AISI 316 Stainless Steel
- Minimum Lumen Maintenance: 50 000h (L70B30)



**Ordering Example:** Product Name/CRI/Kelvin/Beam Angle/Wattage (e.g. AureliaR180/85/4000/16/18W)

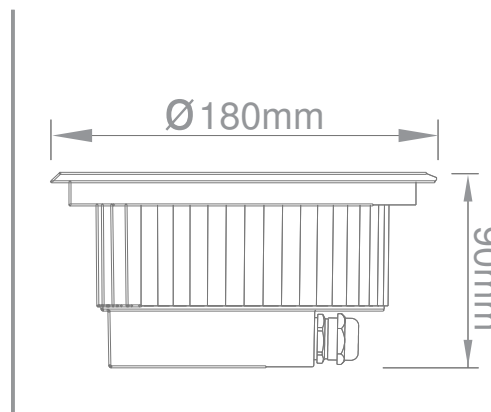
Input Power	LED-Modules	Colour Consistency	Installation Type	Material	Beam Angles	Kelvin
100-240 V	CRI 85+	3-Step MacAdam	Recessed Ground	Stainless Steel & Aluminium Body  Glass Diffuser	16° 34° Diffuser Filter	<span style="color: yellow;">●</span> 3000K <span style="color: lightblue;">●</span> 4000K

Product Code	Dimensions	CRI	K	W (System)	LM (System)
AureliaR180/85/3000/9W	Ø180mm x 90mm	85+	3000K	9W	873Lm*
AureliaR180/85/4000/9W	Ø180mm x 90mm	85+	4000K	9W	918Lm*
AureliaR180/85/3000/18W	Ø180mm x 90mm	85+	3000K	18W	1566Lm*
AureliaR180/85/4000/18W	Ø180mm x 90mm	85+	4000K	18W	1647Lm*

**Includes:**



**Dimensions:**



*\*Various Kelvin and CRI options available to suit project requirements, available on request.*

*\*All Lumen Outputs Stated Above Are Based A Nominal Output That Included A 10% Light Loss, This Can Vary Depending On The Optic Used.*





**Features:**

- Inox AISI 316 Stainless Steel
- Tempered Glass
- Minimum Lumen Maintenance: 50 000h (L70B30)

**Ordering Example:**Product Name/CRI/Kelvin/Beam Angle/Wattage (e.g. AureliaS/80/4000/25/6W)

Input Power	LED-Modules	Colour Consistency	Installation Type	Material	Beam Angles	Kelvin
100-240 V	CRI 80+	3-Step MacAdam	Recessed Ground	Stainless Steel & Aluminium Body  Glass Diffuser	25° 45° Diffuser Filter	<span style="color: yellow;">●</span> 3000K <span style="color: lightblue;">●</span> 4000K

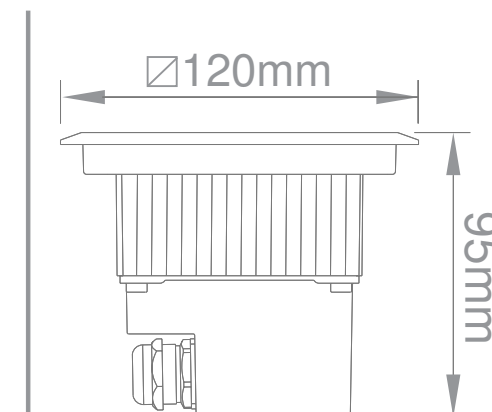


Product Code	Dimensions	CRI	K	W (System)	LM (System)
AureliaS/80/3000/6W	120mm x 120mm x 95mm	80+	3000K	6W	522Lm*
AureliaS/80/4000/6W	120mm x 120mm x 95mm	80+	4000K	6W	549Lm*

**Includes:**



**Dimensions:**



*\*Various Kelvin and CRI options available to suit project requirements, available on request.*

*\*All Lumen Outputs Stated Above Are Based A Nominal Output That Included A 10% Light Loss, This Can Vary Depending On The Optic Used.*



**Features:**

- Transparent Glass Diffuser
- Extruded Aluminium Structure
- Minimum Lumen Maintenance: 50 000h (L70B30)

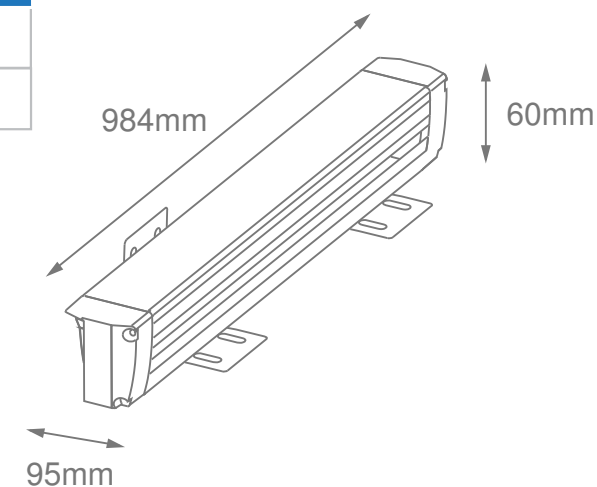


**Ordering Example:**Product Name/CRI/Kelvin/Beam Angle/Luminaire Colour/Wattage (e.g. ConvertL/80/3000/40x16/A/34W)

Input Power	LED-Modules	Colour Consistency	Installation Type	Material	Beam Angle	Luminaire Colour	Kelvin
110-220 V	CRI 80+	3-Step MacAdam	Surface Mounted	Aluminium Alloy Body	40°x16°	<input type="radio"/> Aluminium Anodised (A)	<input checked="" type="radio"/> 3000K <input type="radio"/> 4000K

Product Code	Dimensions	CRI	K	W (System)	LM (System)
ConvertL/80/3000/34W	984mm x 60mm x 95mm	80+	3000K	34W	2588Lm*
ConvertL/80/4000/34W	984mm x 60mm x 95mm	80+	4000K	34W	2950Lm*

**Dimensions:**



\*Photometric data available on request.

\*Various Kelvin and CRI options available to suit project requirements, available on request.

\*All Lumen Outputs Stated Above Are Based A Nominal Output That Included A 10% Light Loss, This Can Vary Depending On The Optic Used.



**Features:**

- Transparent Glass Diffuser
- Extruded Aluminium Structure
- Minimum Lumen Maintenance: 50 000h (L70B30)

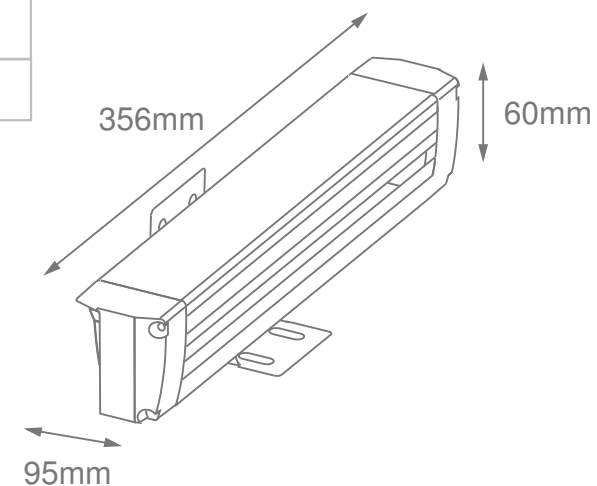


**Ordering Example:** Product Name/CRI/Kelvin/Beam Angle/Luminaire Colour/Wattage (e.g. ConvertS/80/3000/40x16/A/12W)

Input Power	LED-Modules	Colour Consistency	Installation Type	Material	Beam Angle	Luminaire Colour	Kelvin
110-220 V	CRI 80+	3-Step MacAdam	Surface Mounted	Aluminium Alloy Body	40°x16°	● Aluminium Anodised (A)	● 3000K ● 4000K

Product Code	Dimensions	CRI	K	W (System)	LM (System)
ConvertS/80/3000/12W	356mm x 60mm x 95mm	80+	3000K	12W	863Lm*
ConvertS/80/4000/12W	356mm x 60mm x 95mm	80+	4000K	12W	983Lm*

**Dimensions:**



\*Photometric data available on request.

*\*Various Kelvin and CRI options available to suit project requirements, available on request.*

*\*All Lumen Outputs Stated Above Are Based A Nominal Output That Included A 10% Light Loss, This Can Vary Depending On The Optic Used.*



**Features:**

- Inox AISI 316 Stainless Steel
- Minimum Lumen Maintenance: 50 000h (L70B30)

**Ordering Example:**Product Name/CRI/Kelvin/Beam Angle/Wattage (e.g. Falco/85/3000/10/16W)

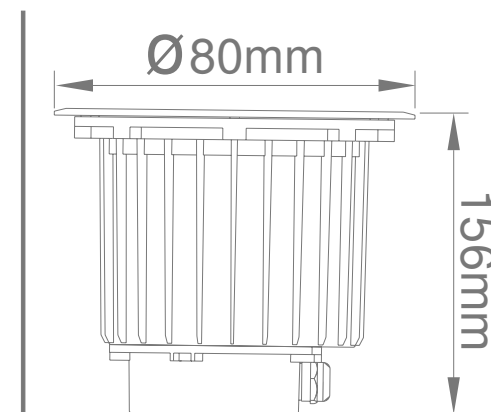
Input Power	LED-Modules	Colour Consistency	Installation Type	Material	Beam Angles	Kelvin
100-240 V	CRI 85+	3-Step MacAdam	Recessed Ground	Stainless Steel & Aluminium Body  Glass Diffuser	10° 29° 61°	3000K 4000K

Product Code	Dimensions	CRI	K	W (System)	LM (System)
Falco/85/3000/16W	Ø185mm x 158mm	85+	3000K	16W	1667Lm*
Falco/85/4000/16W	Ø185mm x 158mm	85+	4000K	16W	1777Lm*

**Includes:**



**Dimensions:**



*\*Various Kelvin and CRI options available to suit project requirements, available on request.*

*\*All Lumen Outputs Stated Above Are Based A Nominal Output That Included A 10% Light Loss, This Can Vary Depending On The Optic Used.*



**Features:**

- Inox AISI 316 Stainless Steel
- Tempered Glass
- Minimum Lumen Maintenance: 50 000h (L70B30)

**Ordering Example:** Product Name/CRI/Kelvin/Wattage (e.g. Livia185/80/3000/17W)

Input Power	LED-Modules	Colour Consistency	Installation Type	Material	Beam Angles	Kelvin
100-240 V	CRI 80+	3-Step MacAdam	Recessed Ground	Stainless Steel Body  Glass Diffuser	Asymmetrical	<span style="color: yellow;">●</span> 3000K <span style="color: lightgrey;">●</span> 4000K

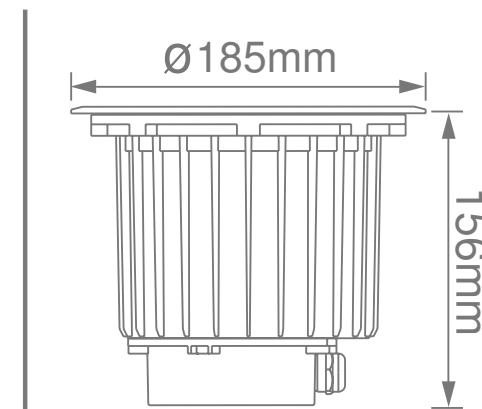


Product Code	Dimensions	CRI	K	W (System)	LM (System)
Livia185/80/3000/17W	Ø185mm x 156mm	80+	3000K	17W	1785Lm*
Livia185/80/4000/17W	Ø185mm x 156mm	80+	4000K	17W	1983Lm*

**Includes:**



**Dimensions:**



*\*Various Kelvin and CRI options available to suit project requirements, available on request.*

*\*All Lumen Outputs Stated Above Are Based A Nominal Output That Included A 10% Light Loss, This Can Vary Depending On The Optic Used.*



**Features:**

- Inox AISI 316 Stainless Steel
- Tempered Glass
- Minimum Lumen Maintenance: 50 000h (L70B30)

**Ordering Example:** Product Name/CRI/Kelvin/Wattage (e.g. Livia225/80/3000/24W)

Input Power	LED-Modules	Colour Consistency	Installation Type	Material	Beam Angles	Kelvin
100-240 V	CRI 80+	3-Step MacAdam	Recessed Ground	Stainless Steel Body  Glass Diffuser	Asymmetrical	<span style="color: yellow;">●</span> 3000K <span style="color: grey;">●</span> 4000K

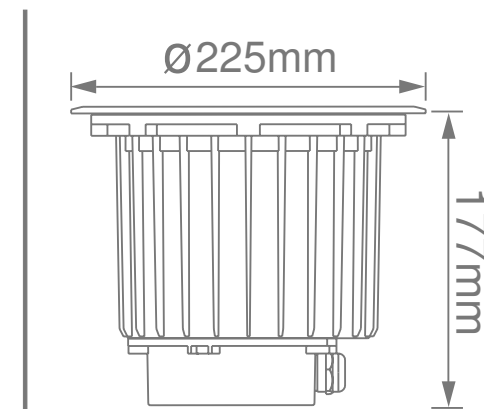


Product Code	Dimensions	CRI	K	W (System)	LM (System)
Livia225/80/3000/24W	Ø225mm x 177mm	80+	3000K	24W	2696Lm*
Livia225/80/4000/24W	Ø225mm x 177mm	80+	4000K	24W	2995Lm*

**Includes:**



**Dimensions:**



\*Various Kelvin and CRI options available to suit project requirements, available on request.

\*All Lumen Outputs Stated Above Are Based A Nominal Output That Included A 10% Light Loss, This Can Vary Depending On The Optic Used.



**Features:**

- Inox AISI 316 Stainless Steel
- Tempered Glass
- Minimum Lumen Maintenance: 50 000h (L70B30)

**Ordering Example:** Product Name/Beam Angle/Wattage (e.g. MaximusRRGB130/25/6W)

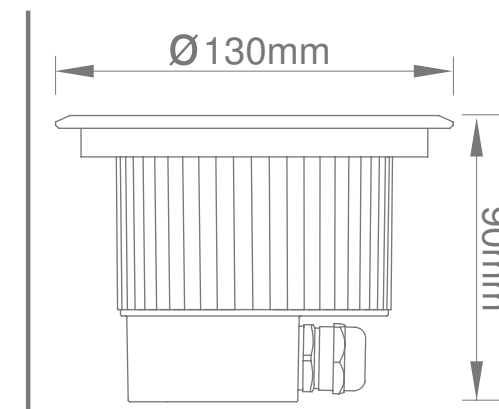
Input Power	LED-Modules	Colour Consistency	Installation Type	Material	Beam Angles
24V DC	RGB	-	Recessed Ground	Stainless Steel & Aluminium Body  Glass Diffuser	25° 45° Diffuser Filter



Product Code	Dimensions	CRI	K	W (System)	LM (System)
MaximusRRGB130/6W	Ø130mm x 90mm	-	-	6W	240Lm*

**Includes:**

**Dimensions:**



*\*RGB control unit required, please see next page.*

*\*All Lumen Outputs Stated Above Are Based A Nominal Output That Included A 10% Light Loss, This Can Vary Depending On The Optic Used.*



**Features:**

- Inox AISI 316 Stainless Steel
- Tempered Glass
- Minimum Lumen Maintenance: 50 000h (L70B30)

**Ordering Example:**Product Name/Beam Angle/Wattage (e.g. MaximusRRGB180/16/11W)

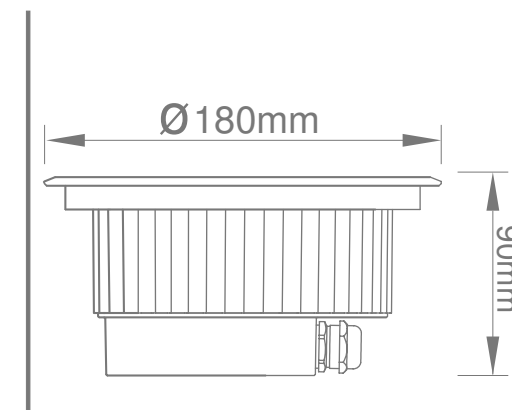
Input Power	LED-Modules	Colour Consistency	Installation Type	Material	Beam Angles
24V DC	RGB	-	Recessed Ground	Stainless Steel & Aluminium Body  Glass Diffuser	16° 34° Diffuser Filter



Product Code	Dimensions	CRI	K	W (System)	LM (System)
MaximusRRGB180/11W	Ø180mm x 90mm	-	-	11W	490Lm*

**Includes:**

**Dimensions:**



*\*RGB control unit required, please see next page.*

*\*All Lumen Outputs Stated Above Are Based A Nominal Output That Included A 10% Light Loss, This Can Vary Depending On The Optic Used.*





**Features:**

- Inox AISI 316 Stainless Steel
- Tempered Glass
- Minimum Lumen Maintenance: 50 000h (L70B30)

**Ordering example:** Product Name/Beam Angle/Wattage (e.g. MaximusSRGB/16/6W)

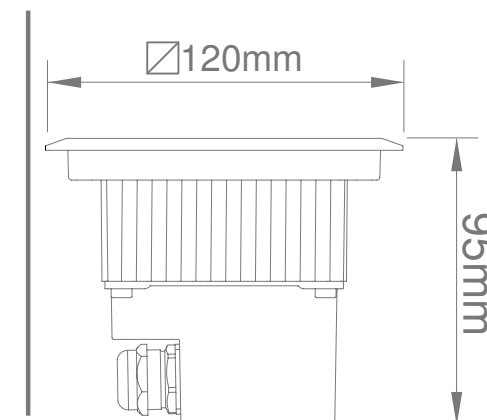
Input Power	LED-Modules	Colour Consistency	Installation Type	Material	Beam Angles
24V DC	RGB	-	Recessed Ground	Stainless Steel & Aluminium Body  Glass Diffuser	16° 34° Diffuser Filter



Product Code	Dimensions	CRI	K	W (System)	LM (System)
MaximusSRGB/6W	120mm x 120mm x 95mm	-	-	6W	240Lm*

**Includes:**

**Dimensions:**



*\*RGB control unit required, please see next page.*

*\*All Lumen Outputs Stated Above Are Based A Nominal Output That Included A 10% Light Loss, This Can Vary Depending On The Optic Used.*



**Features:**

- Matt Diffuser Finish
- Minimum Lumen Maintenance: 50 000h (L70B30)



**Ordering Example:** Product Name/Kelvin/Light Distribution/Diffuser/Wattage (e.g. Mira/80/4000/2/3KD/1.2W)

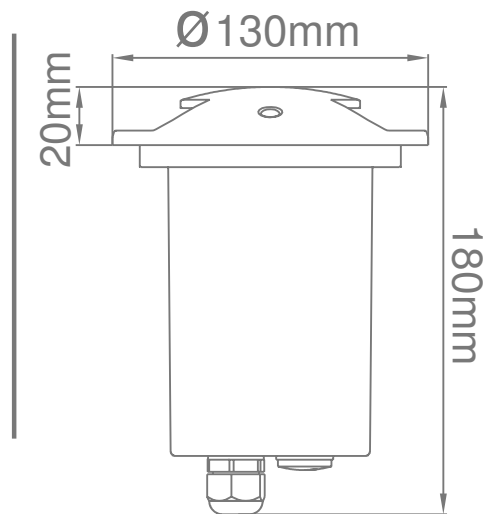
Input Power	LED-Modules	Colour Consistency	Installation Type	Material	Beam Angles	Kelvin
100-240 V	CRI 80+	3-Step MacAdam	Recessed Ground	Aluminium & Technopolymer Body  Polycarbonate Diffuser	-	<span style="color: yellow;">●</span> 3700K <span style="color: lightgreen;">●</span> 4000K

Product Code	Dimensions	CRI	K	W (System)	LM (System)
Mira1/80/4000/0.5W	Ø130mm x 180mm	80+	4000K	0.5W	64Lm*
Mira2/80/4000/1W	Ø130mm x 180mm	80+	4000K	1W	128Lm*
Mira4/80/4000/1.2W	Ø130mm x 180mm	80+	4000K	1.2W	128Lm*

**Includes:**



**Dimensions:**



**LIGHT DISTRIBUTION OPTIONS**



**3700 DIFFUSER (3KD)**





**Features:**

- Matt Diffuser Finish
- Minimum Lumen Maintenance: 50 000h (L70B30)



**Ordering Example:** Product Name/CRI/Kelvin/Light Distribution/Diffuser/Wattage (e.g. MiraS/75/4000/2/3KD/6W)

Input Power	LED-Modules	Colour Consistency	Installation Type	Material	Beam Angles	Kelvin
100-240 V	CRI 75+	3-Step MacAdam	Surface Mounted	Aluminium Body Polycarbonate Diffuser	-	<span style="color: yellow;">●</span> 3000K <span style="color: lightgrey;">●</span> 4000K

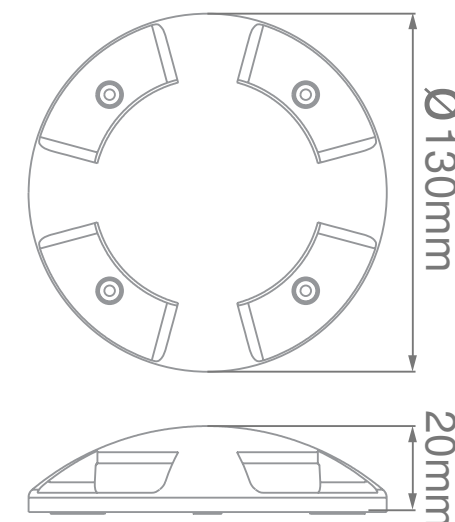
Product Code	Dimensions	CRI	K	W (System)	LM (System)
Mira1/75/4000/1.5W	Ø130mm x 20mm	75+	4000K	1.5W	168Lm*
Mira2/75/4000/3W	Ø130mm x 20mm	75+	4000K	3W	336Lm*
Mira4/75/4000/6W	Ø130mm x 20mm	75+	4000K	6W	670Lm*

**Includes:**

**3000 DIFFUSER (3KD)**



**Dimensions:**



**LIGHT DISTRIBUTION OPTIONS**





**Features:**

- Transparent Glass Diffuser
- Available In RGB
- Minimum Lumen Maintenance: 50 000h (L70B30)



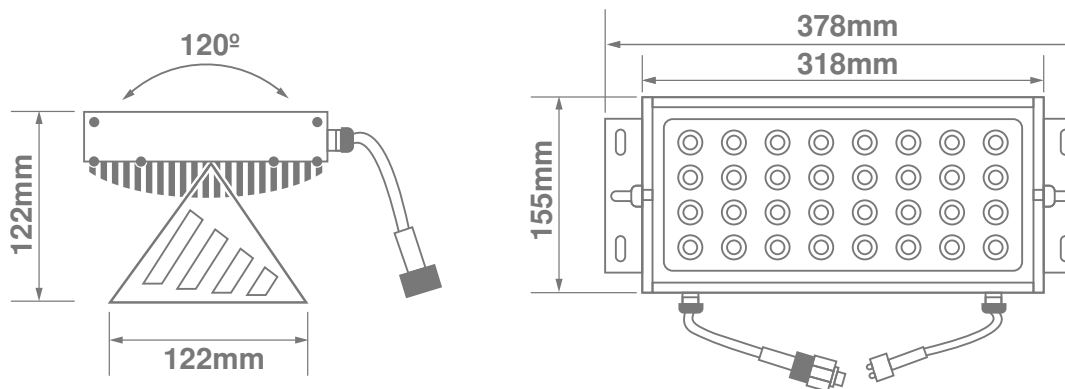
**Ordering Example:** Product Name/CRI/Kelvin/Beam Angle/Wattage (e.g. Ray/80/3000/25/48W)

Input Power	LED-Modules	Colour Consistency	Installation Type	Material	Beam Angle	Luminaire Colour	Kelvin
24V DC	CRI 80+ / RGB	3-Step MacAdam	Surface Mounted	Aluminium Alloy Body	25°	<input type="radio"/> Aluminium Anodised	<input checked="" type="radio"/> 3000K <input type="radio"/> 4000K

Product Code	Dimensions	CRI	K	W (System)	LM (System)
Ray/80/3000/48W	155mm x 378mm x 122mm	80+	3000K	48W	3500Lm*
Ray/80/4000/48W	155mm x 378mm x 122mm	80+	4000K	48W	4000Lm*
Ray/RGB/60W	155mm x 378mm x 122mm	-	RGB	60W	2500Lm*

RGB Module:

**Dimensions:**



\*Various Kelvin and CRI options available to suit project requirements, available on request.



**Features:**

- Diffuser Supplied With A Matt Finish
- Minimum Lumen Maintenance: 50 000h (L70B30)

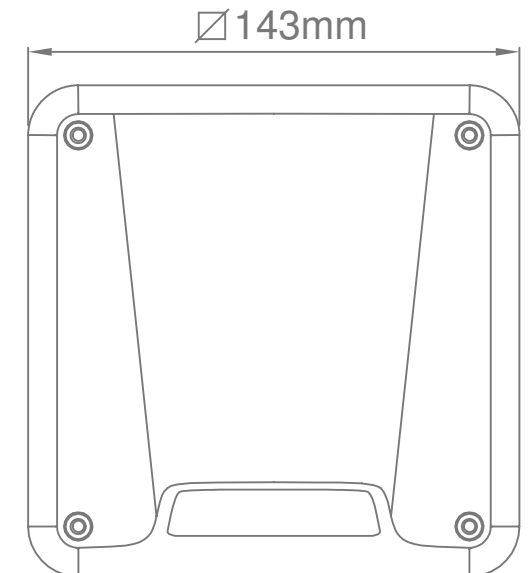
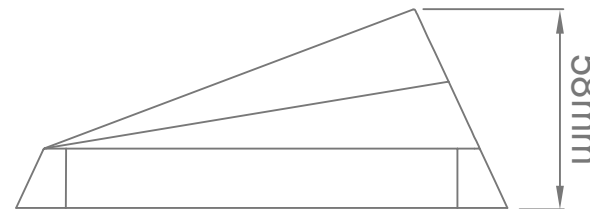


**Ordering Example:** Product Name/CRI/Kelvin/Beam Angle/Wattage (e.g. Sura Duo/80/3000/45/2.1W)

Input Power	LED-Modules	Colour Consistency	Installation Type	Material	Beam Angle	Kelvin
100-240 V	CRI 80+	3-Step MacAdam	Surface Mount	Aluminium Body PMMA Diffuser	45°	3000K

Product Code	Dimensions	CRI	K	W (System)	LM (System)
Sura Duo/80/3000/2.1W	143mm x 143mm x 58mm	80+	3000K	2.1W	188Lm*

**Dimensions:**





**Features:**

- Diffuser Supplied With A Matt Finish
- Minimum Lumen Maintenance: 50 000h (L70B30)

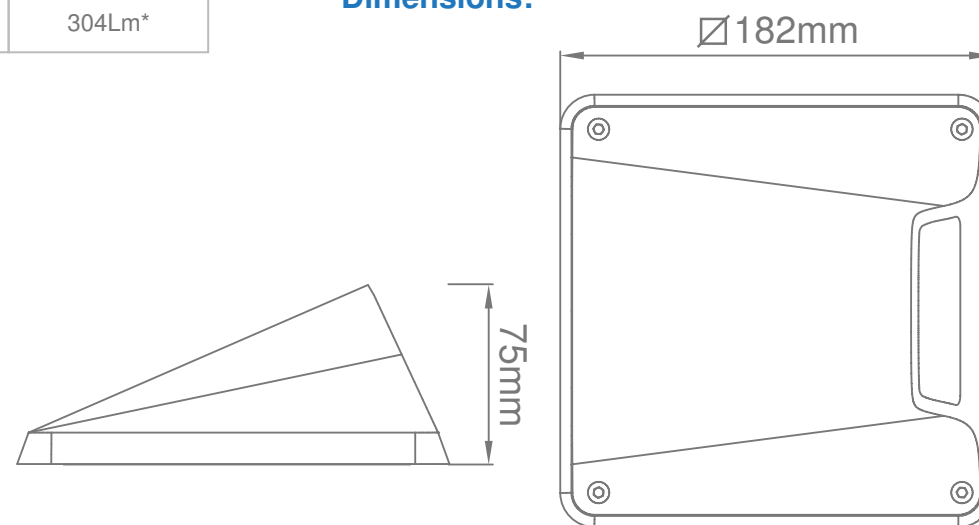


**Ordering Example:**Product Name/CRI/Kelvin/Beam Angle/Wattage (e.g. SuraQuadro/80/3000/45/4.3W)

Input Power	LED-Modules	Colour Consistency	Installation Type	Material	Beam Angle	Kelvin
100-240 V	CRI 80+	3-Step MacAdam	Surface Mounted	Aluminium Body PMMA Diffuser	45°	☉ 3000K

Product Code	Dimensions	CRI	K	W (System)	LM (System)
SuraQuadro/80/3000/4.3W	182mm x 182mm x 75mm	80+	3000K	4.3W	304Lm*

**Dimensions:**





**Features:**

- Inox AISI 316 Stainless Steel
- Tempered Glass
- Minimum Lumen Maintenance: 50 000h (L70B30)



**Ordering Example:** Product Name/CRI/Kelvin/Beam Angle/Wattage (e.g. Tiberius125/80/3000/60/9W)

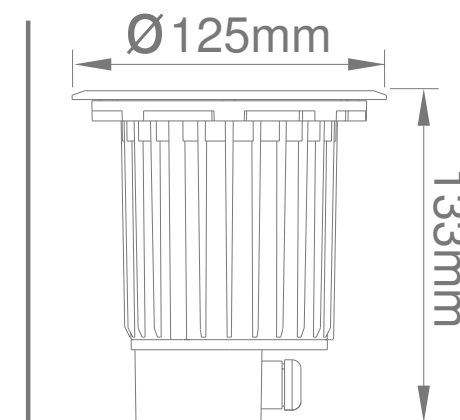
Input Power	LED-Modules	Colour Consistency	Installation Type	Material	Beam Angles	Kelvin
100-240 V	CRI 80+	3-Step MacAdam	Recessed Ground	Stainless Steel & Aluminium Body  Glass Diffuser	15° 60°	<span style="color: yellow;">●</span> 3000K <span style="color: lightgrey;">●</span> 4000K

Product Code	Dimensions	CRI	K	W (System)	LM (System)
Tiberius125/80/3000/9W	Ø125mm x 133mm	80+	3000K	9W	994Lm*
Tiberius125/80/4000/9W	Ø125mm x 133mm	80+	4000K	9W	1070Lm*

**Includes:**



**Dimensions:**



15° Reflector



60° Reflector



*\*Various Kelvin and CRI options available to suit project requirements, available on request.*

*\*All Lumen Outputs Stated Above Are Based A Nominal Output That Included A 10% Light Loss, This Can Vary Depending On The Optic Used.*



**Features:**

- Inox AISI 316 Stainless Steel
- Tempered Glass
- Minimum Lumen Maintenance: 50 000h (L70B30)

**Ordering Example:** Product Name/CRI/Kelvin/Beam Angle/Wattage (e.g. Tiberius185/80/3000/60/16W)

Input Power	LED-Modules	Colour Consistency	Installation Type	Material	Beam Angles	Kelvin
100-240 V	CRI 80+	3-Step MacAdam	Recessed Ground	Stainless Steel & Aluminium Body  Glass Diffuser	15° 60°	<span style="color: yellow;">●</span> 3000K <span style="color: lightgreen;">●</span> 4000K

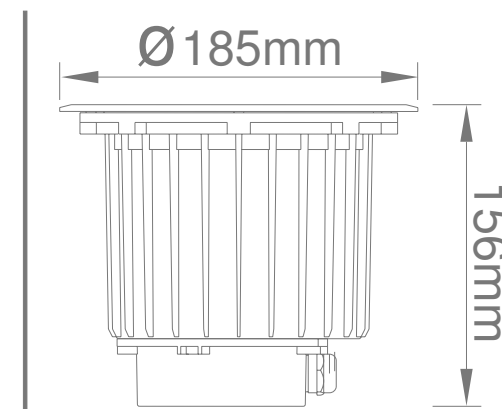


Product Code	Dimensions	CRI	K	W (System)	LM (System)
Tiberius185/80/3000/16W	Ø185mm x 156mm	80+	3000K	16W	1890Lm*
Tiberius185/80/4000/16W	Ø185mm x 156mm	80+	4000K	16W	2034Lm*

**Includes:**



**Dimensions:**



15° Reflector



60° Reflector



*\*Various Kelvin and CRI options available to suit project requirements, available on request.*

*\*All Lumen Outputs Stated Above Are Based A Nominal Output That Included A 10% Light Loss, This Can Vary Depending On The Optic Used.*





**Features:**

- Inox AISI 316 Stainless Steel
- Tempered Glass
- Minimum Lumen Maintenance: 50 000h (L70B30)



**Ordering Example:** Product Name/Kelvin/Beam Angle/Wattage (e.g. Tiberius225/80/30/60/23)

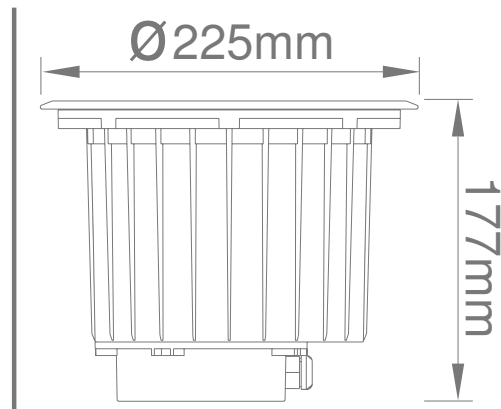
Input Power	LED-Modules	Colour Consistency	Installation Type	Material	Beam Angles	Kelvin
100-240 V	CRI 80+	3-Step MacAdam	Recessed Ground	Stainless Steel & Aluminium Body  Glass Diffuser	15° 60°	<span style="color: yellow;">●</span> 3000K <span style="color: lightblue;">●</span> 4000K

Product Code	Dimensions	CRI	K	W (System)	LM (System)
Tiberius225/80/3000/23W	Ø225mm x 177mm	80+	3000K	23W	2784Lm*
Tiberius225/80/4000/23W	Ø225mm x 177mm	80+	4000K	23W	2993Lm*

**Includes:**



**Dimensions:**



15° Reflector



60° Reflector



*\*Various Kelvin and CRI options available to suit project requirements, available on request.*

*\*All Lumen Outputs Stated Above Are Based A Nominal Output That Included A 10% Light Loss, This Can Vary Depending On The Optic Used.*



**Features:**

- Transparent UVA Glass Diffuser
- Available In RGB
- Minimum Lumen Maintenance: 50 000h (L70B30)



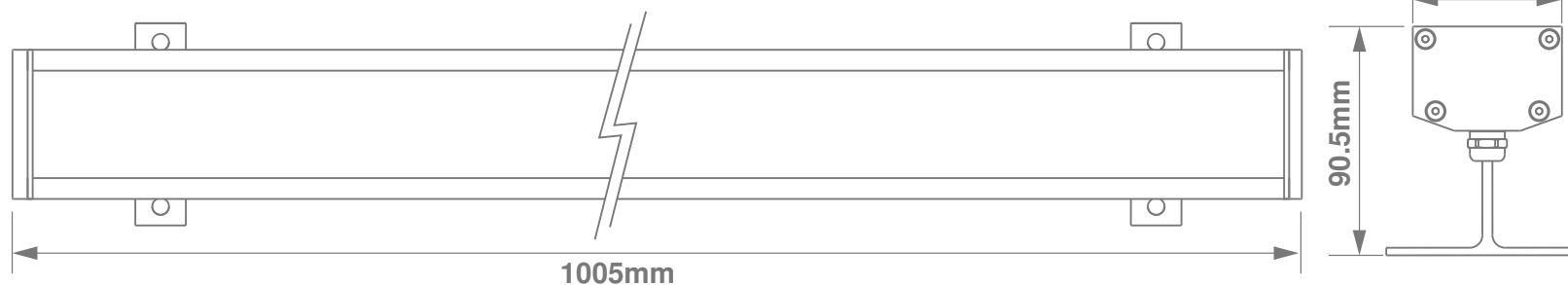
**Ordering Example:** Product Name/CRI/Kelvin/Wattage (e.g. TronL/80/3000/48W)

Input Power	LED-Modules	Colour Consistency	Installation Type	Material	Beam Angle	Luminaire Colour	Kelvin
24V DC	CRI 80+ / RGB	3-Step MacAdam	Surface Mounted	Aluminium Alloy Body	15°x50°	<input type="radio"/> Anodised Aluminium	<input type="radio"/> 3000K <input type="radio"/> 4000K - RGB

Product Code	Dimensions	CRI	K	W (System)	LM (System)
TronL/80/3000/48W	1005mm x 60mm x 90.5mm	80+	3000K	48W	3500Lm*
TronL/80/4000/48W	1005mm x 60mm x 90.5mm	80+	4000K	48W	4000Lm*
TronL/RGB/60W	1005mm x 60mm x 90.5mm	-	RGB	60W	2500Lm*

\*Photometric data available on request.

**Dimensions:**



RGB Module:



\*Various Kelvin and CRI options available to suit project requirements, available on request.

\*All Lumen Outputs Stated Above Are Based A Nominal Output That Included A 10% Light Loss, This Can Vary Depending On The Optic Used.



**Features:**

- Transparent UVA Glass Diffuser
- Available In RGB
- Minimum Lumen Maintenance: 50 000h (L70B30)

**Ordering Example:** Product Name/CRI/Kelvin/Wattage (e.g. TronS/80/3000/14W)

Input Power	LED-Modules	Colour Consistency	Installation Type	Material	Beam Angle	Luminaire Colour	Kelvin
24V DC	CRI 80+ / RGB	3-Step MacAdam	Surface Mounted	Aluminium Alloy Body	15° x 50°	<input type="radio"/> Anodised Aluminium	<input type="radio"/> 3000K <input type="radio"/> 4000K - RGB

Product Code	Dimensions	CRI	K	W (System)	LM (System)
TronS/80/3000/14W	510mm x 60mm x 90.5mm	80+	3000K	14W	1750Lm*
TronS/80/4000/14W	510mm x 60mm x 90.5mm	80+	4000K	14W	2000Lm*
TronS/RGB/30W	510mm x 60mm x 90.5mm	-	RGB	30W	1250Lm*

\*Photometric data available on request.

**Dimensions:**



RGB Module:



\*Various Kelvin and CRI options available to suit project requirements, available on request.

\*All Lumen Outputs Stated Above Are Based A Nominal Output That Included A 10% Light Loss, This Can Vary Depending On The Optic Used.



**Features:**

- Inox AISI 316 Stainless Steel
- Tempered Glass

**Ordering Example:** Product Name (e.g.Vita Round Adjustable)

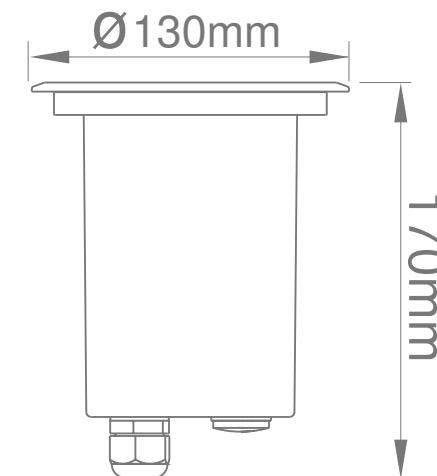
Input Power	LED-Modules	Colour Consistency	Installation Type	Material	Beam Angles
220-240 V	GU10 LED Compatible 50W (Max)	-	Recessed Ground	Stainless Steel & Technopolymer Body  Glass Diffuser	-



**Includes:**



**Dimensions:**





**Features:**

- Inox AISI 316 Stainless Steel
- Tempered Glass

**Ordering Example:** Product Name (e.g.Vita Round Fixed)

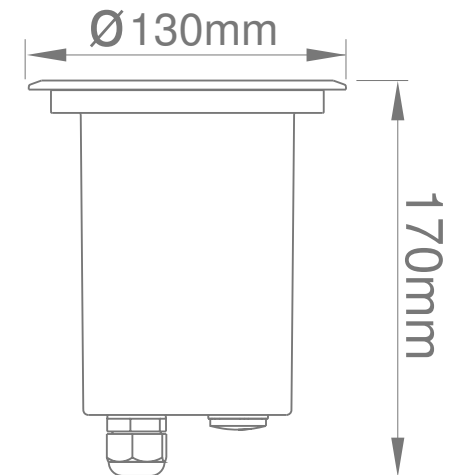
Input Power	LED-Modules	Colour Consistency	Installation Type	Material	Beam Angles
220-240 V	GU10 LED Compatible 50W (Max)	-	Recessed Ground	Stainless Steel & Technopolymer Body  Glass Diffuser	-



**Includes:**



**Dimensions:**





**Features:**

- Inox AISI 316 Stainless Steel
- Tempered Glass

**Ordering Example:** Product Name (e.g.Vita Square Adjustable)

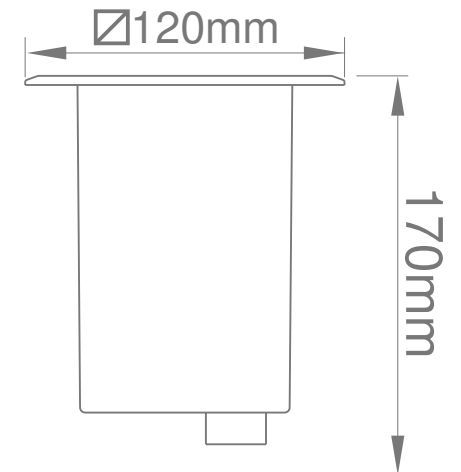
Input Power	LED-Modules	Colour Consistency	Installation Type	Material	Beam Angles
220-240 V	GU10 LED Compatible 50W (Max)	-	Recessed Ground	Stainless Steel & Technopolymer Body  Glass Diffuser	-



**Includes:**



**Dimensions:**





**Features:**

- Inox AISI 316 Stainless Steel
- Tempered Glass

**Ordering Example:** Product Name (e.g.Vita Square Fixed)

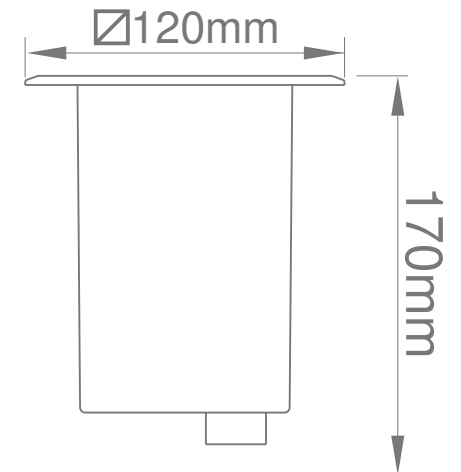
Input Power	LED-Modules	Colour Consistency	Installation Type	Material	Beam Angles
220-240 V	GU10 LED Compatible 50W (Max)	-	Recessed Ground	Stainless Steel & Technopolymer Body  Glass Diffuser	-

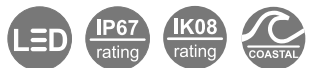


**Includes:**



**Dimensions:**





**Features:**

- Technopolymer
- Tempered Glass

**Ordering Example:** Product Name (e.g.Vita Tech)

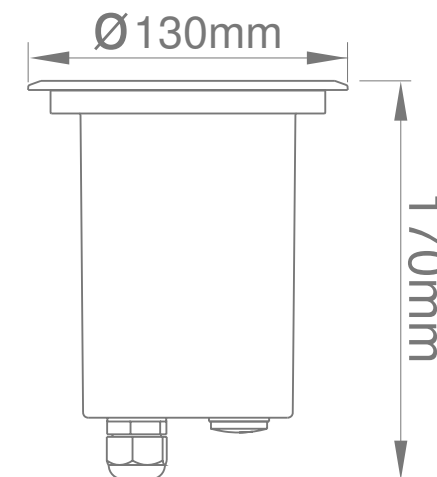
Input Power	LED-Modules	Colour Consistency	Installation Type	Material	Beam Angles
220-240 V	GU10 LED Compatible 50W (Max)	-	Recessed Ground	Technopolymer Body  Glass Diffuser	-



**Includes:**



**Dimensions:**







**Features:**

- Recessed Housing Included
- Minimum Lumen Maintenance: 50 000h (L80B10)



**Ordering Example:** Product Name/CRI/Kelvin/Frame Colour/Face/Wattage (e.g. Vonda/80/3000/B/L/4W)

Input Power	LED-Modules	Colour Consistency	Installation Type	Material	Kelvin
220-240 V	CRI 80+	3-Step MacAdam	Recessed Wall	Aluminium	<input type="radio"/> 3000K <input type="radio"/> 4000K

Product Code	Dimensions	CRI	K	W (System)	LM (System)
Vonda/80/3000/4W	253mm x 85mm x 70mm	80+	3000K	4W	380Lm*
Vonda/80/4000/4W	253mm x 85mm x 70mm	80+	4000K	4W	420Lm*

**FRAME COLOUR OPTIONS**

- White (W)
- Black (B)

**FACE OPTIONS**

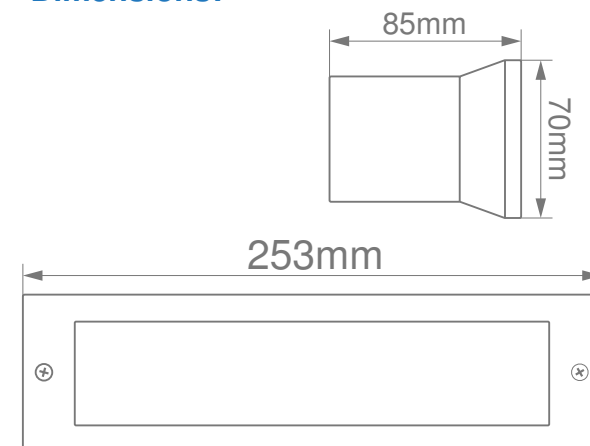


**Includes:**

**RECESSED HOUSING**



**Dimensions:**



\*Various Kelvin and CRI options available to suit project requirements, available on request.



**Features:**

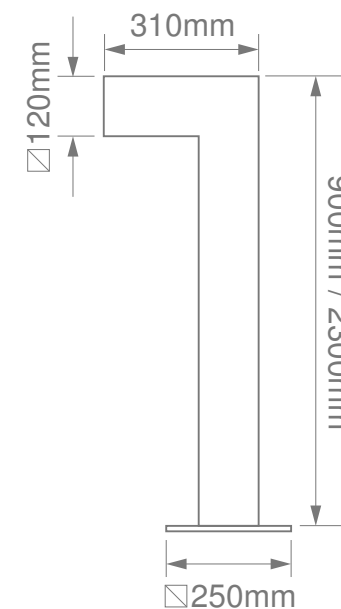
- Galvanised Steel Body & Base Plate
- Imported UV Stabilised Opal Acrylic Perspex
- Mounting Height 0,9M - 2,3M
- Access Door
- Minimum Lumen Maintenance: 50 000h (L80B10)

**Ordering Example:** Product Name/CRI/Kelvin/Size/Luminaire Colour/Wattage (e.g.BentleyBollard/80/4000/900/B/10W)

Input Power	LED-Modules	Colour Consistency	Installation Type	Material	Beam Angle	Luminaire Colour	Kelvin
100-240 V	CRI 80+	3-Step MacAdam	Surface Mount	Powder Coated Cold Roll Steel  Opal Acrylic Perspex	-	● Black (B)	● 4000K

Product Code	Dimensions	CRI	K	W (System)	LM (System)
BentleyBollard/80/4000/10W	900mm x 310mm (120mm x 120mm)	80+	4000K	10W	1100Lm*

**Dimensions:**



\*All Lumen Outputs Stated Above Are Based A Nominal Output That Included A 10% Light Loss, This Can Vary Depending On The Optic Used.



**Features:**

- Efficacy Of Up To 51lm/W\*
- Resistant To Marine Enviroments
- Minimum Lumen Maintenance: 50 000h (L80B20)

**Ordering Example:** Product Name/CRI/Kelvin/Size/Luminaire Colour/Wattage (e.g.CubikLED/80/3000/650/G/15W)

Input Power	LED-Modules	Colour Consistency	Installation Type	Material	Luminaire Colour	Kelvin
100-240 V	CRI 80+	3-Step MacAdam	Surface Mount	Powder Coated Die-Cast Aluminium  Polycarbonate Matt Diffuser	Gray (G)	3000K



Product Code	Dimensions	CRI	K	W (System)	LM (System)
CubikLED/80/3000/201/15W	201mm x 150mm x 150mm	80+	3000K	15W	833Lm*
CubikLED/80/3000/650/15W	650mm x 150mm x 150mm	80+	3000K	15W	833Lm*
CubikLED/80/3000/1000/15W	1000mm x 150mm x 150mm	80+	3000K	15W	833Lm*

**Dimensions:**



\*Various Kelvin and CRI options available to suit project requirements, available on request.  
\*All Lumen Outputs Stated Above Are Based A Nominal Output That Included A 10% Light Loss, This Can Vary Depending On The Optic Used.



**Features:**

- Efficacy Of Up To 41m/W\*
- Resistant To Marine Enviroments
- Minimum Lumen Maintenance: 50 000h (L80B20)

**Ordering Example:** Product Name/CRI/Kelvin/Diffuser/Beam Angle/Luminaire Colour/Wattage (e.g.NewtonLED/80/3000/M/86/G/12W)

Input Power	LED-Modules	Colour Consistency	Installation Type	Material	Beam Angle	Luminaire Colour	Kelvin
100-240 V	CRI 80+	3-Step MacAdam	Surface Mount	Powder Coated Aluminium Polycarbonate Diffuser	86°	● Grey (G)	● 3000K

Product Code	Dimensions	CRI	K	W (System)	LM (System)
NewtonLED/70/3000/12W	Ø160mm x 800mm	80+	3000K	12W	573Lm*

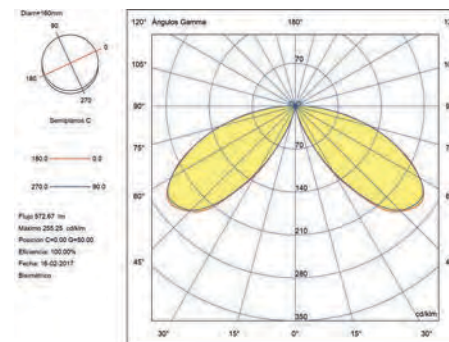
**Dimensions:**



**DIFFUSER OPTIONS:**

- CLEAR (C)
- MATT (M)

**LIGHT DISTRIBUTION:**



\*All Lumen Outputs Stated Above Are Based A Nominal Output That Included A 10% Light Loss, This Can Vary Depending On The Optic Used.



**Features:**

- Efficacy Of Up To 74lm/W\*
- Coastal Quality
- Minimum Lumen Maintenance: 100 000h (L80B10)

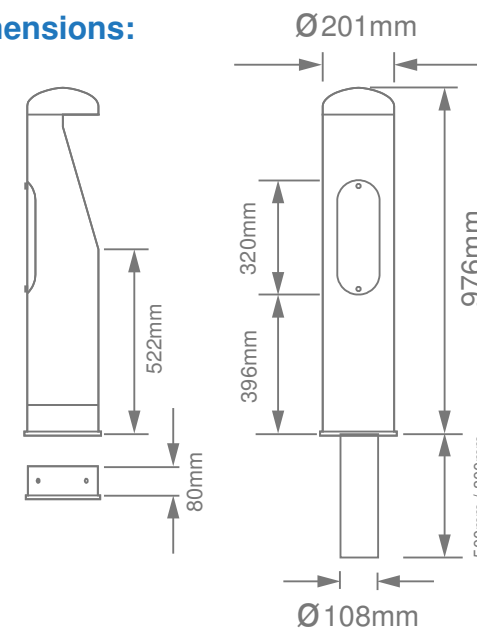
**Ordering Example:** Product Name/CRI/Kelvin/Beam Angle/Luminaire Colour/Wattage (e.g. UrbanBollard/70/3000/10/B/15W)

Input Power	LED-Modules	Installation Type	Material	Beam Angle	Luminaire Colour	Kelvin
220-240 V	CRI 70+	Flange Or Root Mounted	Cataphoresis Finish On Low Carbon Steel  Clear Polycarbonate Diffuser	Asymmetrical	● Black (B)	● 3000K ○ 4000K

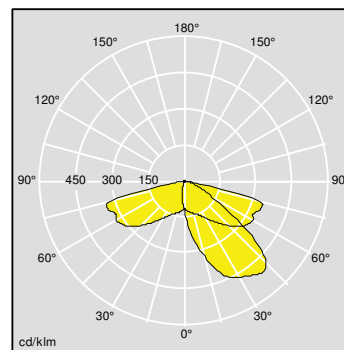


Product Code	Dimensions	CRI	K	W (System)	LM (System)
UrbaBollard/70/3000/15W	Ø201mm x 976mm	70+	3000K	15W	1009Lm*
UrbaBollard/70/4000/15W	Ø201mm x 976mm	70+	4000K	15W	1107Lm*

**Dimensions:**



**LIGHT DISTRIBUTION:**



\*Various Kelvin and CRI options available to suit project requirements, available on request.

\*All Lumen Outputs Stated Above Are Based A Nominal Output That Included A 10% Light Loss, This Can Vary Depending On The Optic Used.



**Features:**

- 140° Passive IR Sensor
- 8m Sensing Radius
- Sneak-By Guard
- Photo-Cell Controller
- Intelligent Soft Light Start
- 2x Twilight Setting
- Minimum Lumen Maintenance: 50 000h (L70B10)

**Ordering Example:** Product Name/CRI/Kelvin/Post Height/Luminaire Colour/Wattage (e.g.SagittaB/80/3000/1000/S/1.5W)

Battery	Photovoltaic Panels	LED-Modules	Installation Type	Kelvin	Material	Luminaire Colour
2x Lithium-Iron-Phosphate 2000mAh	Mono-Crystalline	CRI 80+	Bollard Mounted	● 3000K	Aluminium	○ White (W) ○ Silver (S)

Product Code	Dimensions	CRI	K	W (System)	LM (System)
SagittaB/80/3000/1.5W	*Refer To Dimensions Below	80+	3000K	1.5W	150Lm*



**COLOUR OPTIONS:**

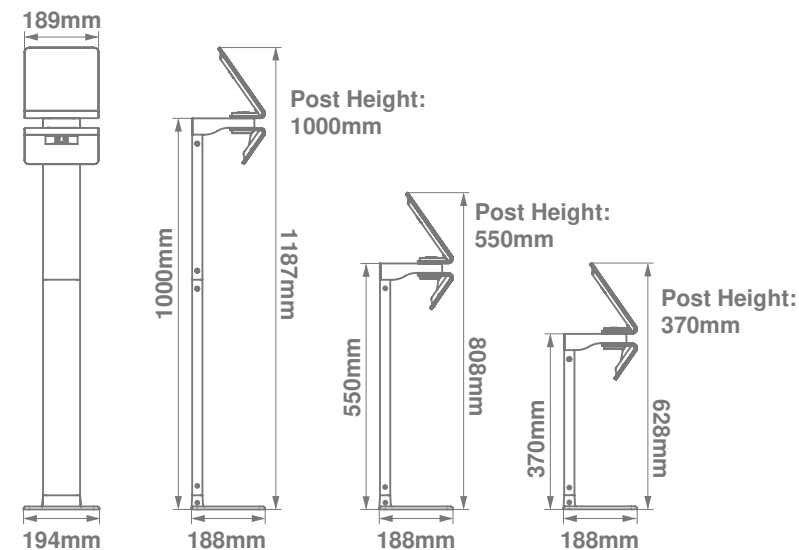


White (W)



Silver (S)

**Dimensions:**





**Features:**

- Efficacy Of Up To 85lm/W\*
- Accessories Include:
  - A Round House Side Shield To Reduce Glare
  - An External Terminal Box
- Professional Type IV / Type V Light Distribution
- Minimum Lumen Maintenance: 50 000h (L80B10)

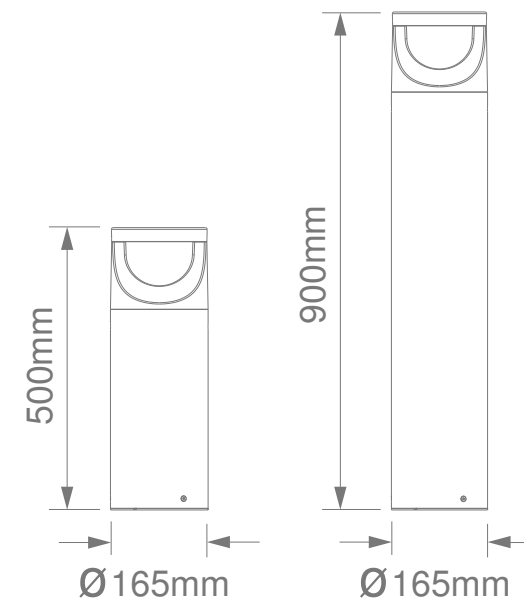
**Ordering Example:**Product Name/CRI/Kelvin/Height/Beam Angle/Luminaire Colour/Wattage (e.g.LotusBollard/70/4000/500/R03202/B/24W)

Input Power	LED-Modules	Installation Type	Material	Beam Angles	Luminaire Colour	Kelvin
AC 220-240 V	CRI 80+ CRI 70+ (On Request)	Surface Mounted	Powder Coated Aluminium Alloy  Polycarbonate Optical Lens	R03201 R03202 R03203	● Black (B)	● 3000K ● 4000K (Standard) ● 5000K



Product Code	Dimensions	CRI	K	W (System)	LM (System)
LotusBollard/80/4000/14W	Ø165mm x 500mm / 900mm	80+	4000K	14W	1190Lm*
LotusBollard/80/4000/24W	Ø165mm x 500mm / 900mm	80+	4000K	24W	1920Lm*

**Dimensions:**



**ACCESSORIES:**

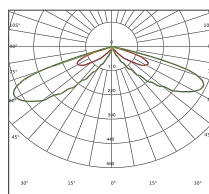


Round House Side Shield

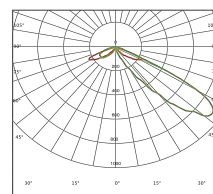


Terminal Box

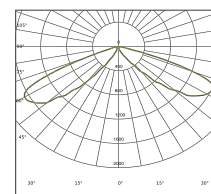
**LIGHT DISTRIBUTION:**



R03201



R03202



R03203

\*Various Kelvin and CRI options available to suit project requirements, available on request.

\*All Lumen Outputs Stated Above Are Based A Nominal Output That Included A 10% Light Loss, This Can Vary Depending On The Optic Used.



**Features:**

- Efficacy Of Up To 125lm/W\*
- 3 Selectable Kelvin Options (DIP Switch)  
3000k - 4000k - 5000k
- 3 Selectable Wattage Options (DIP Switch)  
14W - 19W - 24W
- Interchangeable Top Heads
- Emergency Backup Option Available (On Request)
- CCT Tuneable
- Minimum Lumen Maintenance: 50 000h (L80B10)

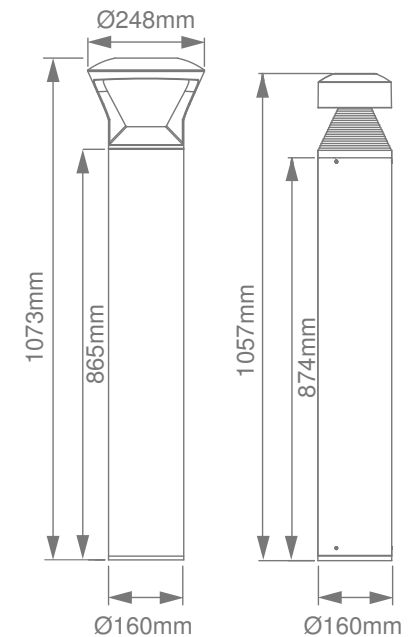


**Ordering Example:** Product Name/CRI/Beam Angle/Luminaire Colour (e.g.Hasu/80/360/B)

Input Power	LED-Modules	Colour Consistency	Installation Type	Material	Beam Angle	Luminaire Colour	Kelvin
120-277 VAC	CRI 80+	3-Step MacAdam	Surface Mounted	Powder Coated Die-Cast Aluminium Body	360°	● Black (W)	<ul style="list-style-type: none"> <li>● 3000K</li> <li>● 4000K</li> <li>● 5000K</li> </ul>

Product Code	Dimensions	CRI	K	W (System)	LM (System)
Hasu/80/4000/14W	*Refer To Dimension Drawing	80+	4000K	14W	1750Lm*
Hasu/80/4000/19W	*Refer To Dimension Drawing	80+	4000K	19W	2300Lm*
Hasu/80/4000/24W	*Refer To Dimension Drawing	80+	4000K	24W	3000Lm*

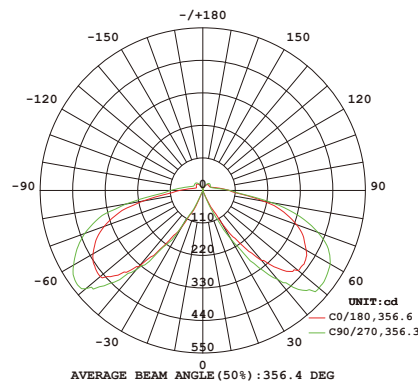
**Dimensions:**



\*Wattage Selectable Doesn't Take Up 0-10v Dimming.

\*All Lumen Outputs Stated Above Are Based A Nominal Output That Included A 10% Light Loss, This Can Vary Depending On The Optic Used.

**Light Distribution:**



**Interchangeable Top Heads**







**Features:**

- Excellent Heat Dissipation
- Design Prevents Accumulation Of Dust & Debris
- Available For Ø60mm & Ø76mm Poles
- Efficacy Of Up To 120lm/W\*
- Minimum Lumen Maintenance: 50 000h (L80B10)

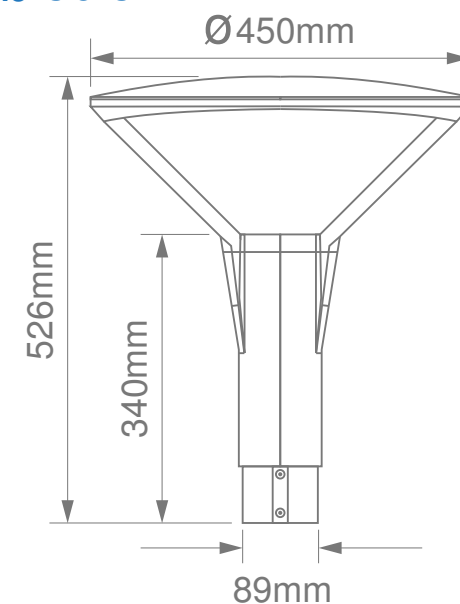
**Ordering Example:** Product Name/CRI/Kelvin/Beam Angle/Luminaire Colour/Wattage (e.g.LotusPostTop/70/4000/120/B/60W)

Input Power	LED-Modules	Installation Type	Material	Beam Angle	Luminaire Colour	Kelvin
100-277 V	CRI 70+ CRI 80+ (On Request)	Pole Mounted	Powder Coated Die-Cast Aluminium  Tempered Glass	120°	● Black (B)	● 4000K ● 5000K



Product Code	Dimensions	CRI	K	W (System)	LM (System)
LotusPostTop/70/4000/40W	Ø450mm x 526mm	70+	4000K	40W	4800Lm*
LotusPostTop/70/4000/60W	Ø450mm x 526mm	70+	4000K	60W	7200Lm*
LotusPostTop/70/4000/75W	Ø450mm x 526mm	70+	4000K	75W	9000Lm*
LotusPostTop/70/4000/100W	Ø450mm x 526mm	70+	4000K	100W	12000Lm*

**Dimensions:**



\*Various Kelvin and CRI options available to suit project requirements, available on request.

\*All Lumen Outputs Stated Above Are Based A Nominal Output That Included A 10% Light Loss, This Can Vary Depending On The Optic Used.



**Features:**

- Perfect For 3.5m - 6m Mounting Height
- Available For Ø60mm & Ø76mm Poles
- Operating Temperature: 20°C - 40°C
- Minimum Lumen Maintenance: 50 000h (L80B10)

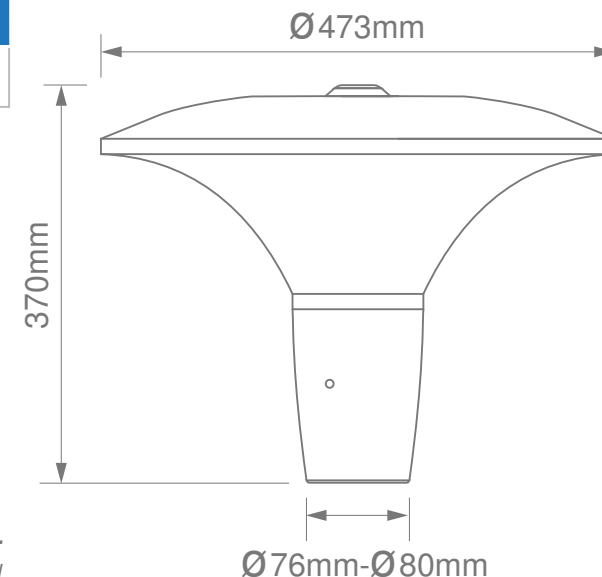


**Ordering Example:** Product Name/CRI/Kelvin/Luminaire Colour/Diffuser/Wattage (e.g.LoroPostTop/80/4000/10/B/C/42W)

Input Power	LED-Modules	Colour Consistency	Installation Type	Material	Beam Angle	Luminaire Colour	Kelvin
200-240 V	CRI 80+	3-Step MacAdam	Post Top (Pole Mounted)	Powder Coated LM06 Die-Cast Aluminium  Frosted Acrylic Lens  Glass Filled Nylon Base	360°	<input type="radio"/> White (W) <input checked="" type="radio"/> Black (B)	<input checked="" type="radio"/> 3000K <input type="radio"/> 4000K

Product Code	Dimensions	CRI	K	W (System)	LM (System)
LoroPostTop/80/4000/42W	Ø450mm x 370mm (60mm-76mm Pole Adaptor)	80+	4000K	42W	6132Lm*

**Dimensions:**



**DIFFUSER OPTIONS:**

- Opal (O)
- Clear (C)

\*Various Kelvin and CRI options available to suit project requirements, available on request.

\*All Lumen Outputs Stated Above Are Based A Nominal Output That Included A 10% Light Loss, This Can Vary Depending On The Optic Used.



**Features:**

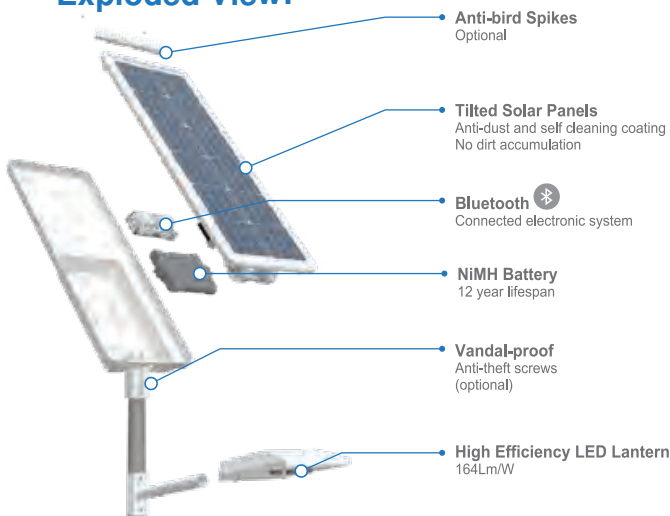
- Efficacy Of Up To 164Lm/W\*
- 12 Year Battery Lifespan
- 25 Year Photovoltaic Panel Lifespan
- Cellphone Based Monitoring
- Built In Motion Sensor
- Optional Off Site Monitoring & Communication
- Resistant To Extreme Climates
- Plug And Play Installation
- Minimum Lumen Maintenance: 50 000h



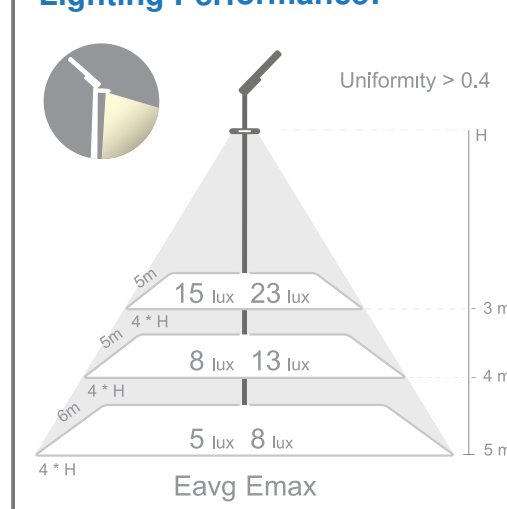
**Ordering Example:**Product Name/Kelvin (e.g. Carina1/5700)

Battery	Photovoltaic Panels	Wattage	Luminous Flux	Kelvin	Operating Range	Material
24V NiMH High Temperature	Mono-Crystalline 50Wp	10W - No Motion 25W - Motion Detected	1600lm - No Motion 2800lm - Motion Detected		-20°C to +70°C	ABS PMMA Casing Aluminium

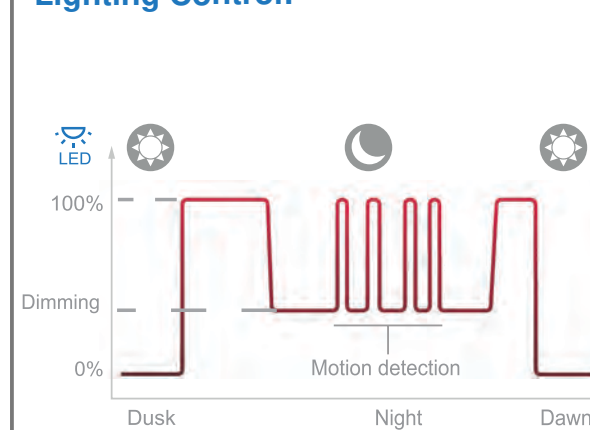
**Exploded View:**



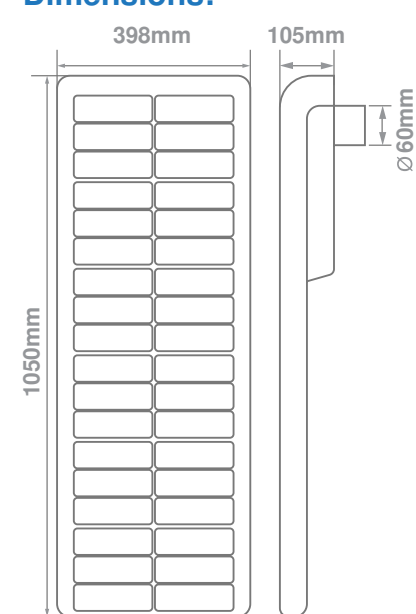
**Lighting Performance:**



**Lighting Control:**



**Dimensions:**





**Features:**

- Efficacy Of Up To 164Lm/W\*
- 12 Year Battery Lifespan
- 25 Year Photovoltaic Panel Lifespan
- Cellphone Based Monitoring
- Built In Motion Sensor
- Optional Off Site Monitoring & Communication
- Resistant To Extreme Climates
- Plug And Play Installation
- Minimum Lumen Maintenance: 50 000h



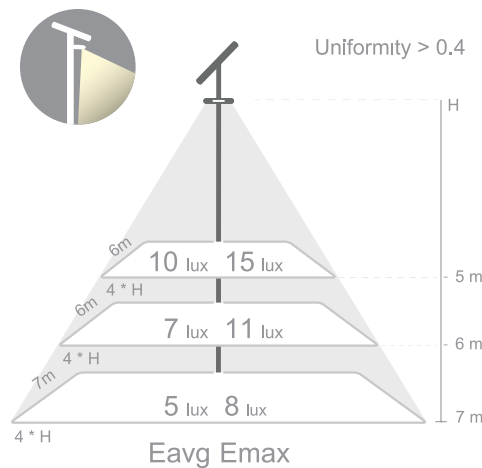
**Ordering example:**Product Name/Kelvin (e.g. Carina2/5700)

Battery	Photovoltaic Panels	Wattage	Luminous Flux	Kelvin	Operating Range	Material
24V NiMH High Temperature	Mono-Crystalline 160W (4x 40WP)	20W - No Motion 50W - Motion Detected	3200lm - No Motion 5600lm - Motion Detected	<ul style="list-style-type: none"> <li>• 3000K</li> <li>• 4000K</li> <li>• 5700K</li> </ul>	-20°C to +70°C	ABS PMMA Casing Aluminium

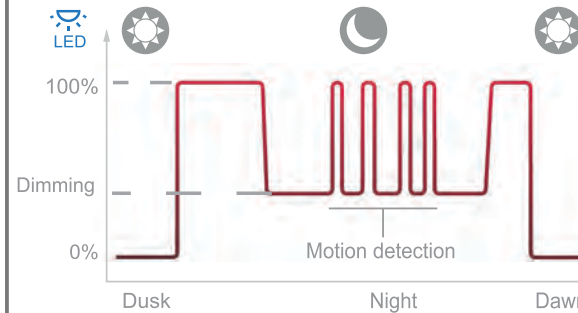
**Exploded View:**



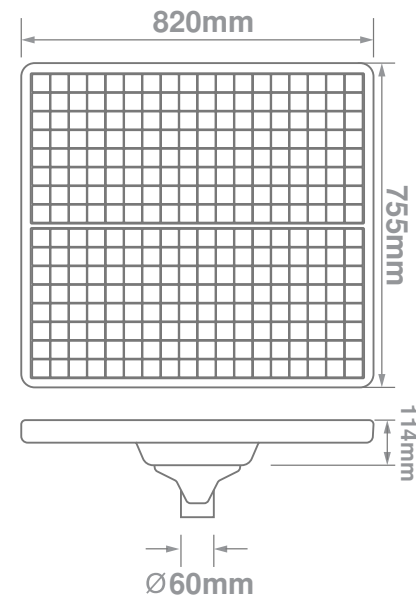
**Lighting Performance:**



**Lighting Control:**



**Dimensions:**



\*All Lumen Outputs Stated Above Are Based A Nominal Output That Included A 10% Light Loss, This Can Vary Depending On The Optic Used.



**Features:**

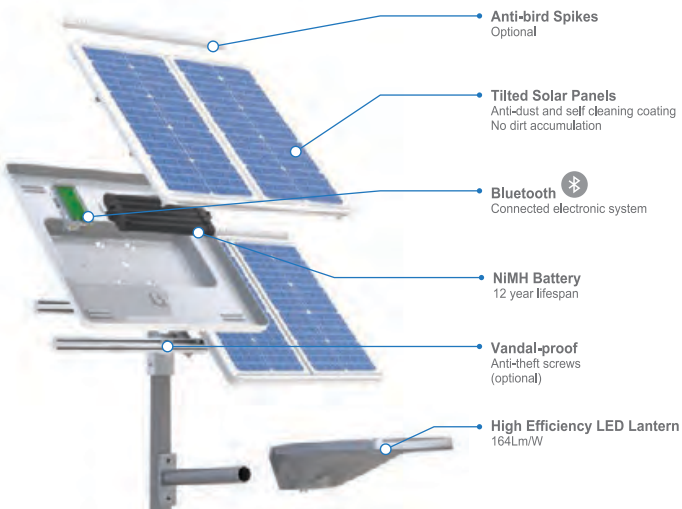
- Efficacy Of Up To 164Lm/W\*
- 12 Year Battery Lifespan
- 25 Year Photovoltaic Panel Lifespan
- Cellphone Based Monitoring
- Built In Motion Sensor
- Optional Off Site Monitoring & Communication
- Resistant To Extreme Climates
- Plug And Play Installation
- Minimum Lumen Maintenance: 50 000h

**Ordering Example:**Product Name/Kelvin (e.g. Carina4/5700)

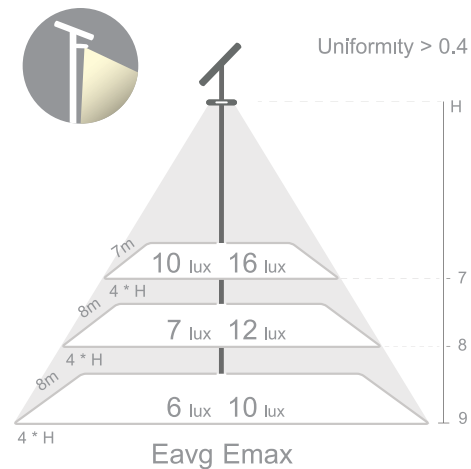
Battery	Photovoltaic Panels	Wattage	Luminous Flux	Kelvin	Operating Range	Material
24V NiMH High Temperature	Mono-Crystalline 160W (4x 40WP)	40W - No Motion 80W - Motion Detected	6400lm - No Motion 11200lm - Motion Detected	<ul style="list-style-type: none"> <li>• 3000K</li> <li>• 4000K</li> <li>• 5700K</li> </ul>	-20°C to +70°C	ABS PMMA Casing Aluminium



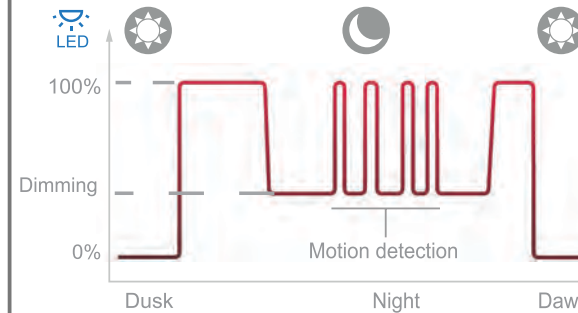
**Exploded View:**



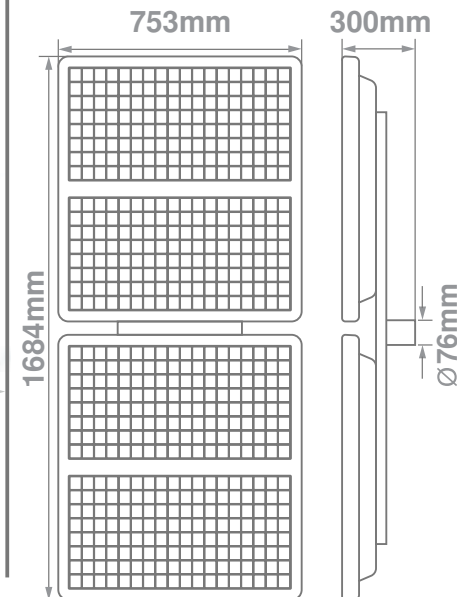
**Lighting Performance:**



**Lighting Control:**



**Dimensions:**



\*All Lumen Outputs Stated Above Are Based A Nominal Output That Included A 10% Light Loss, This Can Vary Depending On The Optic Used.



**Features:**

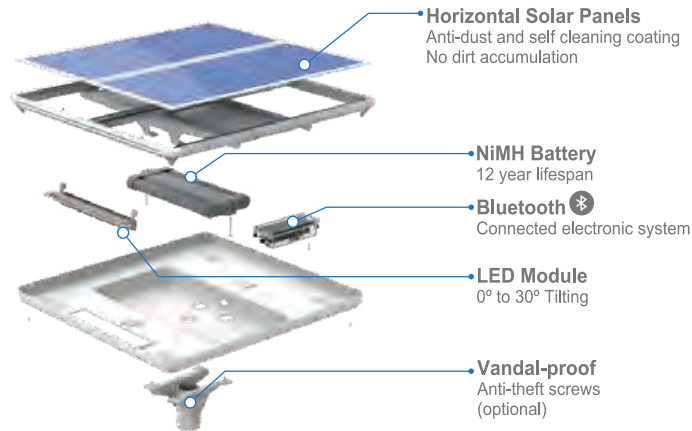
- Efficacy Of Up To 164Lm/W\*
- 12 Year Battery Lifespan
- 25 Year Photovoltaic Panel Lifespan
- Cellphone Based Monitoring
- Built In Motion Sensor
- Optional Off Site Monitoring & Communication
- Resistant To Extreme Climates
- Plug And Play Installation
- Minimum Lumen Maintenance: 50 000h



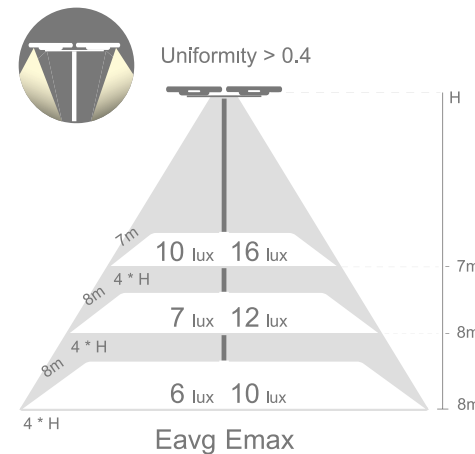
**Ordering Example: Product Name/Kelvin (e.g. Gemini/5700)**

Battery	Photovoltaic Panels	Wattage	Luminous Flux	Operating Range	Material	Kelvin
24V NiMH High Temperature	Mono-Crystalline 80W (2x 40WP)	40W - No Motion 50W - Motion Detected	6400lm - No Motion 11200lm - Motion Detected	-20°C to +70°C	ABS PMMA Casing Aluminium	<span style="color: yellow;">●</span> 3000K <span style="color: lightgreen;">●</span> 4000K <span style="color: lightblue;">●</span> 5700K

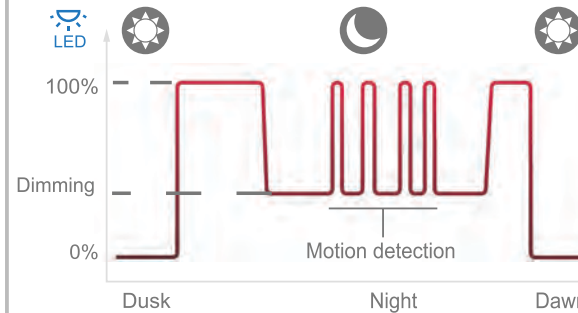
**Exploded View:**



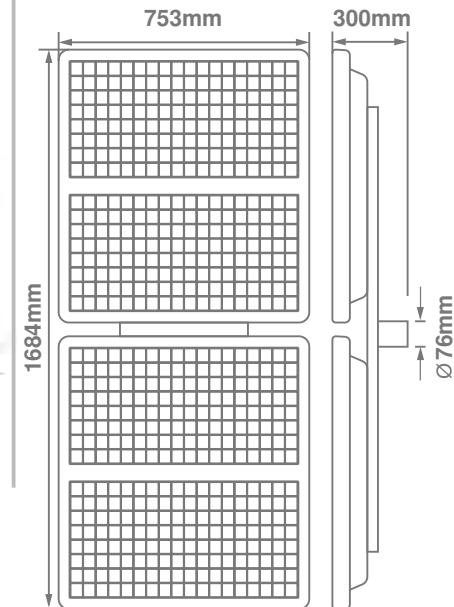
**Lighting Performance:**



**Lighting Control:**



**Dimensions:**



\*All Lumen Outputs Stated Above Are Based A Nominal Output That Included A 10% Light Loss, This Can Vary Depending On The Optic Used.



**Features:**

- High Quality Led Module
- Lithium Battery
- PIR Sensor
- High Efficiency Mono-Silicon Solar Panel
- Patented Pressure-Regulating Device
- 15W Is Ideal For 4-6m Mounting Height
- 30W Is Ideal For 6-8m Mounting Height
- Minimum Lumen Maintenance: 50 000h (L80B10)

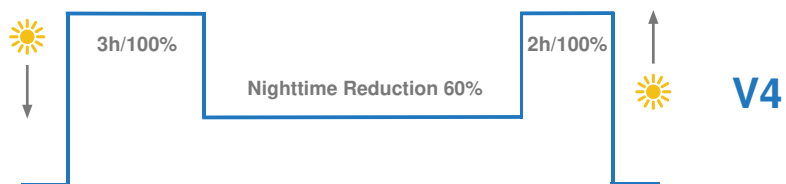


**Ordering Example: Product Name/Kelvin/Wattage (e.g. Menelaus/4000/30W)**

Battery	Photovoltaic Panels	Wattages	Luminous Flux	Kelvin	Operating Range	Material
12.8V LiFePO4 307-640 Watt-Hour	Mono-Silicone 30-70Wp	15W  30W	4800Lm*	4000K	-20°C to +70°C	Die-Cast Aluminium & Powder Coated Steel

Product Code	Dimensions	CRI	K	W (System)	LM (System)
Menelaus/80/4000/15W	615mm x 357mm x 128mm	80+	4000K	15W	2400Lm*
Menelaus/80/4000/30W	846mm x 517mm x 182mm	80+	4000K	30W	4800Lm*

**Lighting Control:**



*\*Project based calculation will be done as per the autonomy time, location and time management required.*



**Features:**

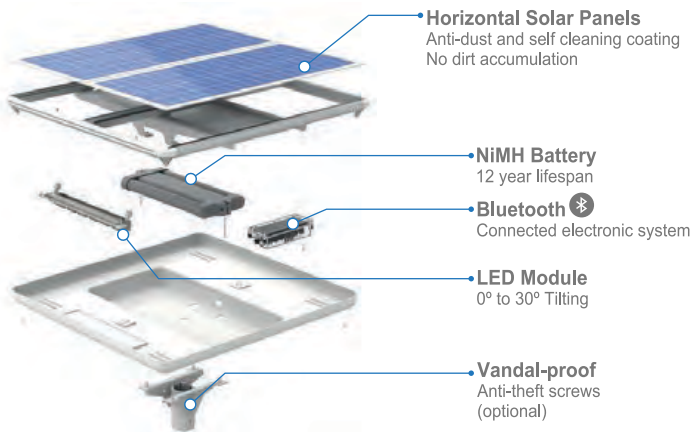
- Efficacy Of Up To 164Lm/W\*
- 12 Year Battery Lifespan
- 25 Year Photovoltaic Panel Lifespan
- Cellphone Based Monitoring
- Built In Motion Sensor
- Optional Off Site Monitoring & Communication
- Resistant To Extreme Climates
- Plug And Play Installation
- Minimum Lumen Maintenance: 50 000h (L80B10)

**Ordering Example:**Product Name/Kelvin (e.g. Pictor Area/5700)

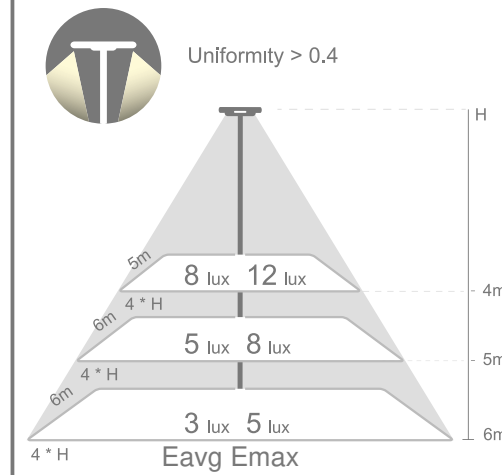
Battery	Photovoltaic Panels	Wattage	Luminous Flux	Kelvin	Operating Range	Material
24V NiMH High Temperature	Mono-Crystalline 80W (2x 40WP)	20W - No Motion 50W- Motion Detected	3200lm - No Motion 5600lm - Motion Detected	<ul style="list-style-type: none"> <li>3000K</li> <li>4000K</li> <li>5700K</li> </ul>	-20°C to +70°C	ABS PMMA Casing Aluminium



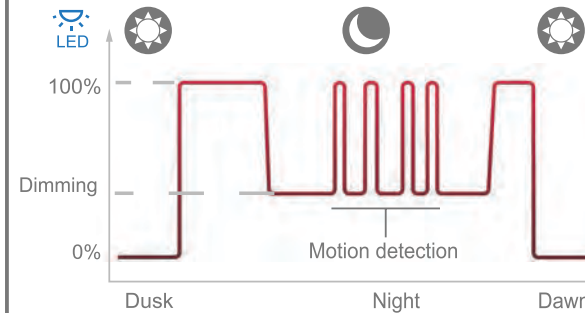
**Exploded View:**



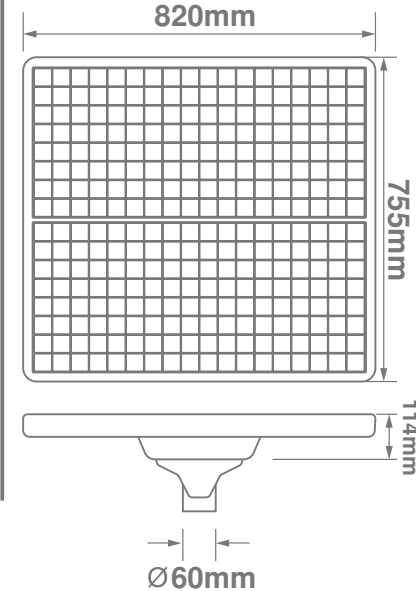
**Lighting Performance:**



**Lighting Control:**



**Dimensions:**







**Features:**

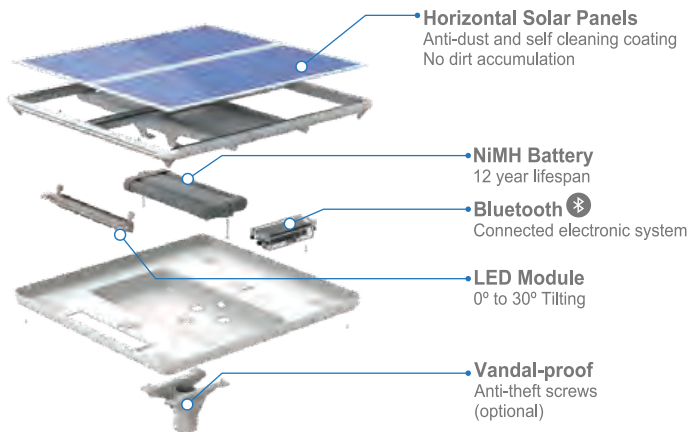
- Efficacy Of Up To 164Lm/W\*
- 12 Year Battery Lifespan
- 25 Year Photovoltaic Panel Lifespan
- Cellphone Based Monitoring
- Built In Motion Sensor
- Optional Off Site Monitoring & Communication
- Resistant To Extreme Climates
- Plug And Play Installation
- Minimum Lumen Maintenance: 50 000h (L80B10)

Ordering Example: Product Name/Kelvin (e.g. Pictor Road/5700)

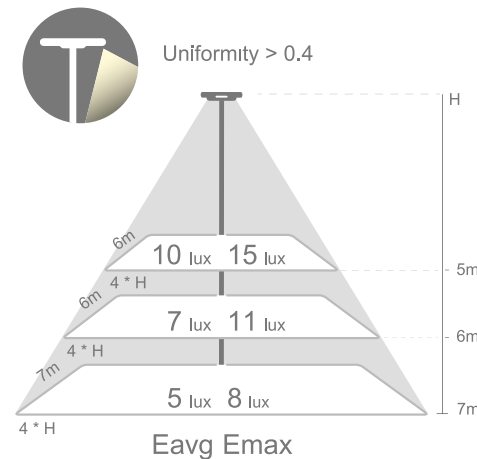
Battery	Photovoltaic Panels	Wattage	Luminous Flux	Kelvin	Operating Range	Material
24V NiMH High Temperature	Mono-Crystalline 80W (2x 40WP)	20W - No Motion 50W- Motion Detected	3200lm - No Motion 5600lm - Motion Detected	<ul style="list-style-type: none"> <li>3000K</li> <li>4000K</li> <li>5700K</li> </ul>	-20°C to +70°C	ABS PMMA Casing Aluminium



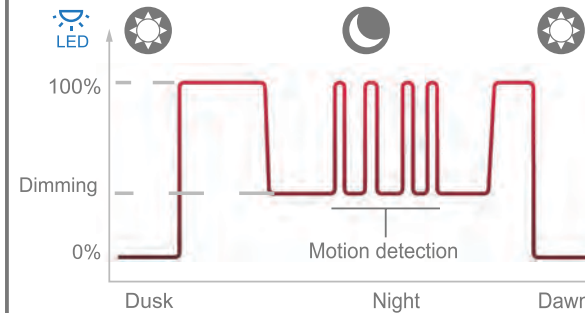
**Exploded View:**



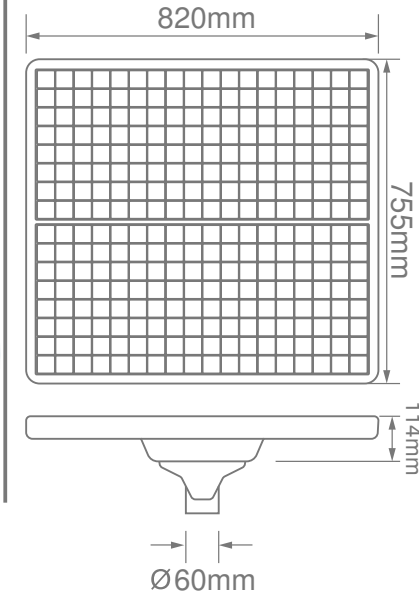
**Lighting Performance:**



**Lighting Control:**



**Dimensions:**





**Features:**

- 140° Passive IR Sensor
- 8m Sensing Radius
- Sneak-By Guard
- Photo-Cell Controller
- Intelligent Soft Light Start
- 2x Twilight Setting
- Minimum Lumen Maintenance: 50 000h (L70B10)



**Ordering Example:** Product Name/CRI/Kelvin/Luminaire Colour/Wattage (e.g.Sagitta/80/4000/S/1.2W)

Battery	Photovoltaic Panels	LED-Modules	Installation Type	Operating Range	Material	Luminaire Colour	Kelvin
Lithium-Iron-Phosphate 2500mAh	Mono-Crystalline	CRI 80+	Wall Mounted	-20°C to +70°C	Aluminium	<input type="radio"/> White (W) <input type="radio"/> Silver (S)	<input checked="" type="radio"/> 4000K

Product Code	Dimensions	CRI	K	W (System)	LM (System)
Sagitta/80/4000/1.2W	186.5mm x 189mm x 298mm	80+	4000K	1.2W	150Lm*

**Dimensions:**

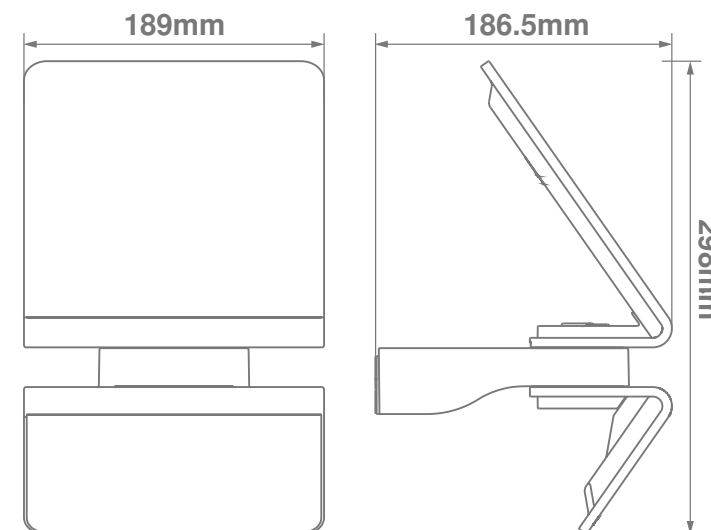
COLOUR OPTIONS:



White (W)



Silver (S)





**Features:**

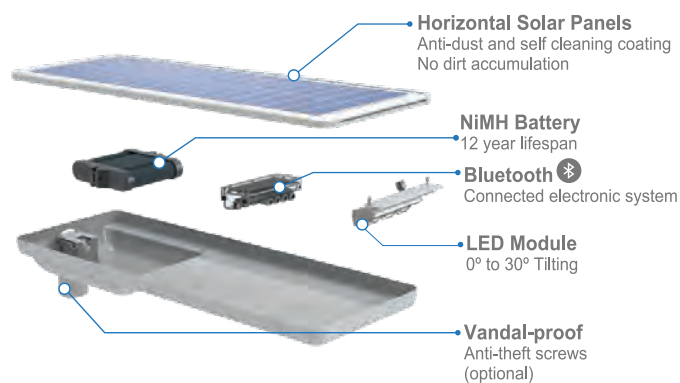
- Efficacy Of Up To 164Lm/W\*
- 12 Year Battery Lifespan
- 25 Year Photovoltaic Panel Lifespan
- Cellphone Based Monitoring
- Built In Motion Sensor
- Optional Off Site Monitoring & Communication
- Resistant To Extreme Climates
- Plug And Play Installation
- Minimum Lumen Maintenance: 50 000h



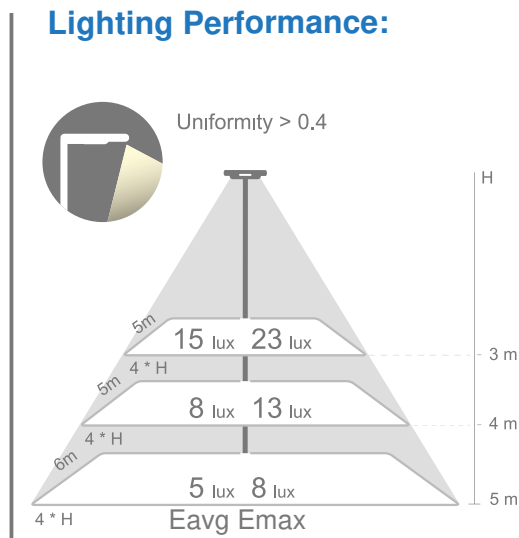
**Ordering Example: Product Name/Kelvin (e.g. Tucana/5700)**

Battery	Photovoltaic Panels	Wattage	Luminous Flux	Kelvin	Operating Range	Material
12V NiMH High Temperature	Mono-Crystalline 50Wp	10W - No Motion 25W- Motion Detected	1600lm - No Motion 2800lm - Motion Detected	<ul style="list-style-type: none"> <li>● 3000K</li> <li>● 4000K</li> <li>● 5700K</li> </ul>	-20°C to +70°C	ABS PMMA Casing Aluminium

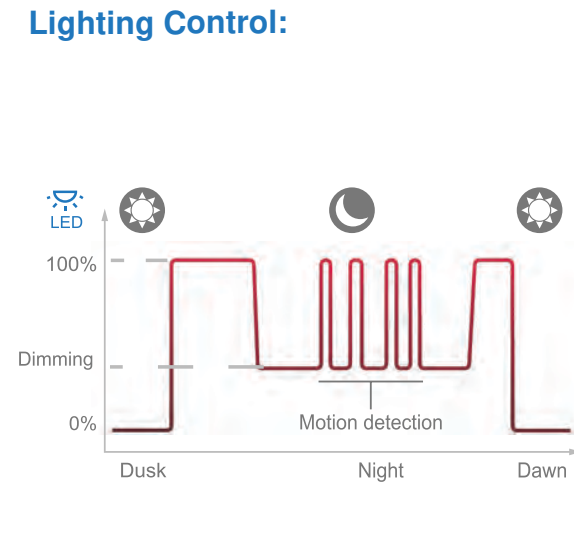
**Exploded View:**



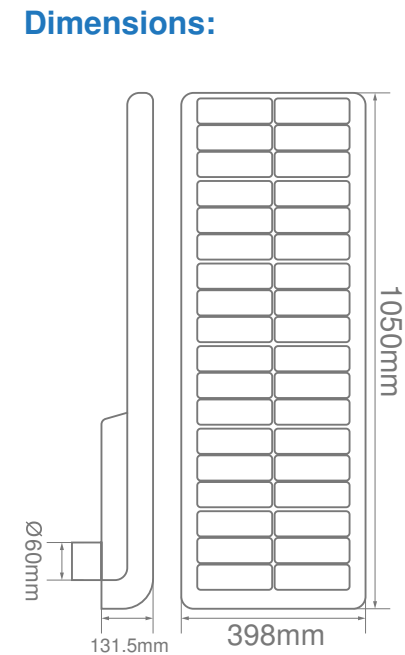
**Lighting Performance:**



**Lighting Control:**



**Dimensions:**





**Features:**

- Photo-Cell Controller
- Intelligent Soft Light Start
- 2x Twilight Setting
- Minimum Lumen Maintenance: 50 000h (L70B10)

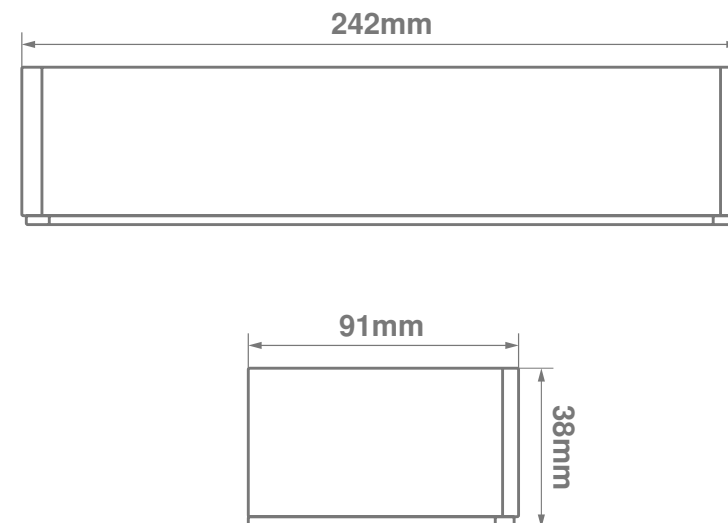


**Ordering Example:** Product Name/CRI/Kelvin/Luminaire Colour/Wattage (e.g. Volans/80/3000/S/1W)

Battery	Photovoltaic Panels	LED-Modules	Installation Type	Operating Range	Material	Luminaire Colour	Kelvin
2x Lithium-Iron-Phosphate 2000mAh	Mono-Crystalline	CRI 80+	Wall Mounted	-	Aluminium	<input type="radio"/> Silver (S) <input type="radio"/> Anthracite (A)	<input checked="" type="radio"/> 3000K

Product Code	Dimensions	CRI	K	W (System)	LM (System)
Volans/80/3000/1W	242mm x 91mm x 38mm	80+	3000K	1W	140Lm*

**Dimensions:**



**Colour Options:**



Silver (S)



Anthracite (A)



**Features:**

- 360° Passive IR Mini Sensor
- 8m Sensing Radius
- Sneak-By Guard
- Photo-Cell Controller
- Intelligent Soft Light Start
- 2x Twilight Setting
- Minimum Lumen Maintenance: 50 000h (L70B10)

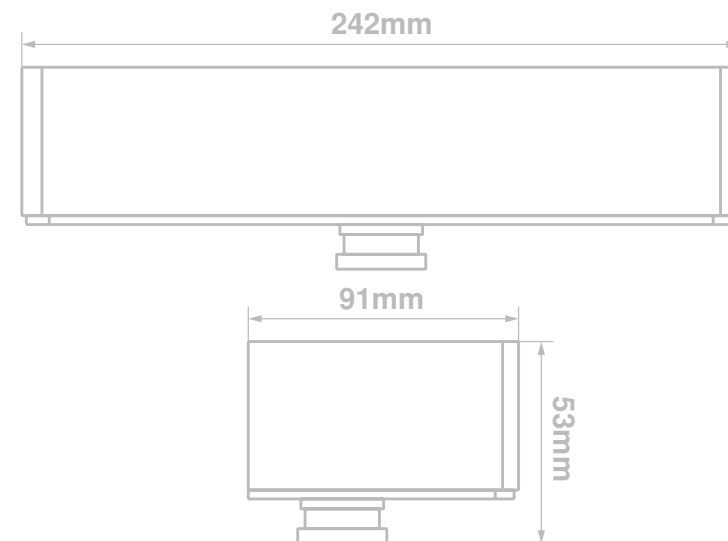


**Ordering Example:** Product Name/CRI/Kelvin/Luminaire Colour/Wattage (e.g.VolansSensor/80/3000/S/1.5W)

Battery	Photovoltaic Panels	LED-Modules	Installation Type	Operating Range	Material	Luminaire Colour	Kelvin
2x Lithium-Iron-Phosphate 2000mAh	Mono-Crystalline	CRI 80+	Wall Mounted	-	Aluminium	<ul style="list-style-type: none"> <li>● Silver (S)</li> <li>● Anthracite (A)</li> </ul>	● 3000K

Product Code	Dimensions	CRI	K	W (System)	LM (System)
VolansSensor/80/3000/1.5W	242mm x 91mm x 53mm	80+	3000K	1.5W	140Lm*

**Dimensions:**



**Colour Options:**



Silver (S)



Anthracite (A)



**Features:**

- Efficacy Up To 160Lm/W\*
- Superior Uniformity
- Mounting Height 8 To 12m
- Minimum Lumen Maintenance: 50 000h (L80B10)

**Control Options:**

- Daylight Sensor Control
- Dimming Control
- Timing Control
- Solar Control
- Dali Control



**Ordering Example:** Product Name/CRI/Kelvin/Wattage (e.g. Cicero/70/4000/180W)

Input Power	LED-Modules	Colour Consistency	Installation Type	Material	Luminaire Colour	Optics	Kelvin
100-240V AC	CRI 70+ / CRI 80+	3-Step MacAdam	Pole Mounted	Aluminium Alloy	● Light Grey	Type II	<ul style="list-style-type: none"> <li>● 3000K</li> <li>● 4000K</li> <li>● 5000K</li> </ul>

Product Code	Dimensions	CRI	K	W (System)	LM (System)
Cicero/70/4000/30W	479mm x 236mm x 236mm	70+	4000K	30W	4800Lm*
Cicero/70/4000/40W	479mm x 236mm x 236mm	70+	4000K	40W	6400Lm*
Cicero/70/4000/75W	580mm x 236mm x 236mm	70+	4000K	75W	12000Lm*
Cicero/70/4000/100W	580mm x 236mm x 236mm	70+	4000K	100W	16000Lm*
Cicero/70/4000/120W	650mm x 280mm x 236mm	70+	4000K	120W	19200Lm*
Cicero/70/4000/150W	650mm x 280mm x 236mm	70+	4000K	150W	24000Lm*
Cicero/70/4000/180W	650mm x 280mm x 236mm	70+	4000K	180W	28800Lm*



\*Various Optics available to suit project requirements, available on request.

\*All Lumen Outputs Stated Above Are Based A Nominal Output That Included A 10% Light Loss, This Can Vary Depending On The Optic Used.



**Features:**

- Bi-Power Dimming For Energy Saving
- Mounting Height 3m To 6m
- Minimum Lumen Maintenance: 50 000h (L80B10)

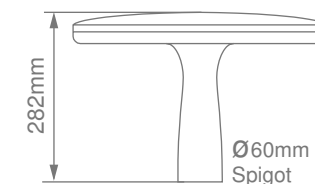
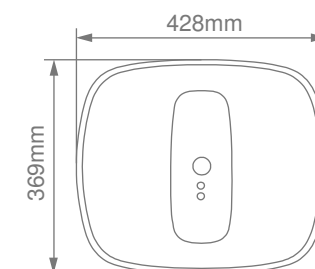
**Ordering Example:** Product Name/CRI/Kelvin/Luminaire Colour/Wattage (e.g. Kimi/70/4000/LG/20W)



Input Power	LED-Modules	Colour Consistency	Installation Type	Material	Luminaire Colour	Kelvin
200-240 V	CRI 70+	3-Step MacAdam	Pole Mounting	Aluminium Alloy  UV Stabilised Polycarbonate Diffuser	<ul style="list-style-type: none"> <li><span style="display: inline-block; width: 10px; height: 10px; background-color: lightgrey; border-radius: 50%; margin-right: 5px;"></span> Light Grey (LG)</li> <li><span style="display: inline-block; width: 10px; height: 10px; background-color: darkgrey; border-radius: 50%; margin-right: 5px;"></span> Dark Grey (DG)</li> </ul>	<ul style="list-style-type: none"> <li><span style="display: inline-block; width: 10px; height: 10px; background-color: yellow; border-radius: 50%; margin-right: 5px;"></span> 3000K</li> <li><span style="display: inline-block; width: 10px; height: 10px; background-color: lightgreen; border-radius: 50%; margin-right: 5px;"></span> 4000K</li> <li><span style="display: inline-block; width: 10px; height: 10px; background-color: lightblue; border-radius: 50%; margin-right: 5px;"></span> 4000K</li> </ul>

Product Code	Dimensions	CRI	K	W (System)	LM (System)
Kimi/70/4000/20W	428mm x 369mm x 282mm	70+	4000K	20W	1650Lm*
Kimi/70/4000/40W	428mm x 369mm x 282mm	70+	4000K	40W	3050Lm*
Kimi/70/4000/54W	428mm x 369mm x 282mm	70+	4000K	54W	4300Lm*
Kimi/70/4000/83W	428mm x 369mm x 282mm	70+	4000K	83W	6100Lm*

**Dimensions:**



*\*Various Optics to suit project requirements are available on request.*

*\*All Lumen Outputs Stated Above Are Based A Nominal Output That Included A 10% Light Loss, This Can Vary Depending On The Optic Used.*



**Features:**

- Efficacy Up To 120Lm/W\*
- Up To 50M Mast Spacing
- Mounting Height 8 To 12M
- Minimum Lumen Maintenance: 50 000h (L80B10)

**Control Options:**

- Daylight Sensor Control
- Dimming Control
- Timing Control
- Solar Control
- Dali Control

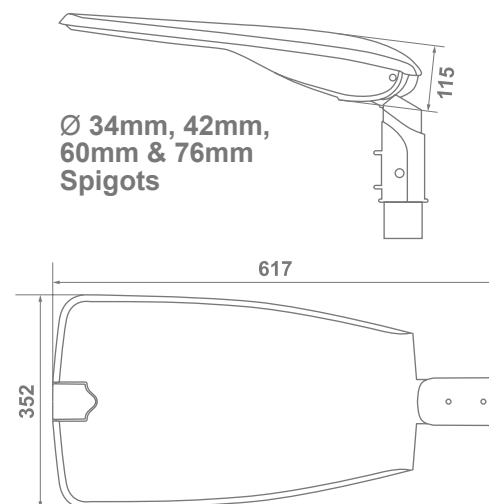


**Ordering Example:** Product Name/CRI/Kelvin/Wattage (e.g. Nestor/70/4000/30W)

Input Power	LED-Modules	Colour Consistency	Installation Type	Material	Luminaire Colour	Optics	Kelvin
100-277V AC	CRI 70+ / CRI 80+	3-Step MacAdam	Pole Mount	Aluminium Alloy	● Light Grey	Type II	<ul style="list-style-type: none"> <li>● 3000K</li> <li>● 4000K</li> <li>● 5000K</li> </ul>

Product Code	Dimensions	CRI	K	W (System)	LM (System)
Nestor/70/4000/30W	617mm x 352mm x 115mm	70+	4000K	30W	3600Lm*
Nestor70/4000/50W	617mm x 352mm x 115mm	70+	4000K	50W	6000Lm*
Nestor/70/4000/70W	617mm x 352mm x 115mm	70+	4000K	70W	8400Lm*
Nestor/70/4000/90W	617mm x 352mm x 115mm	70+	4000K	90W	10800Lm*
Nestor/70/4000/120W	617mm x 352mm x 115mm	70+	4000K	120W	14400Lm*
Nestor/70/4000/150W	617mm x 352mm x 115mm	70+	4000K	150W	18000Lm*

**Dimensions:**



*\*Various Optics available to suit project requirements, available on request.*





**Features:**

- Efficacy Up To 135Lm/W\*
- 10kV Line-Earth Surge Protection
- Minimum Lumen Maintenance: 50 000h (L70B10)

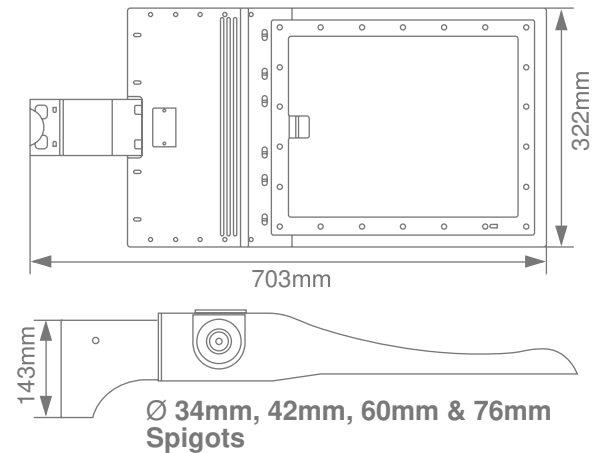


**Ordering Example:** Product Name/CRI/Kelvin/Colour/Wattage (e.g. Primus/70/5000/B/180W)

Input Power	LED-Modules	Colour Consistency	Installation Type	Material	Luminaire Colour	Optics	Kelvin
100-277V AC	CRI 70+ / CRI 80+	3-Step MacAdam	Pole Mount Bracket Mount Arm Mount	Aluminium Alloy	● Black (B)	Type II Type III Type IV Type V	● 3000K ● 4000K ● 5000K

Product Code	Dimensions	CRI	K	W (System)	LM (System)
Primus/70/5000/180W	703mm x 322mm x 143mm	70+	5000K	180W	24300Lm*
Primus/70/5000/240W	703mm x 322mm x 143mm	70+	5000K	240W	32400Lm*
Primus/70/5000/300W	703mm x 322mm x 143mm	70+	5000K	300W	40500Lm*

**Dimensions:**



\*Various Optics available to suit project requirements, available on request.

\*All Lumen Outputs Stated Above Are Based A Nominal Output That Included A 10% Light Loss, This Can Vary Depending On The Optic Used.



**Features:**

- Minimum Lumen Maintenance: 50 000h (L80B10)

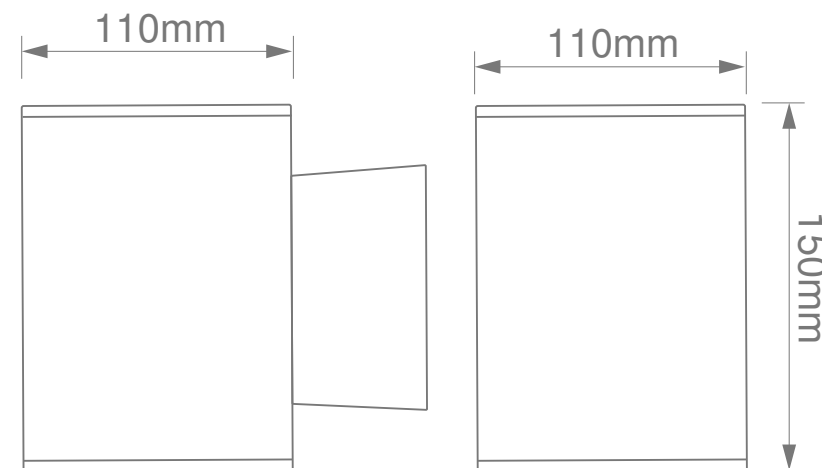
**Ordering Example:** Product Name/CRI/Kelvin/Frame Colour//Beam Angle/Wattage (e.g. Abbe 150/80/4000/B/24/18W)

Input Power	LED-Modules	Colour Consistency	Installation Type	Material	Beam Angles	Kelvin
220-240 V	CRI 80+	3-Step MacAdam	Wall Mounted	Powder Coated Aluminium	12° 24° 36°	<input type="radio"/> 4000K



Product Code	Dimensions	CRI	K	W (System)	LM (System)
Abbe150/80/4000/18W	110mm x 110mm x 150mm	80+	4000K	18W	1900Lm*

**Dimensions:**



**FRAME COLOUR OPTIONS**

- White (W)
- Black (B)
- Special (SP)

\*All Lumen Outputs Stated Above Are Based A Nominal Output That Included A 10% Light Loss, This Can Vary Depending On The Optic Used.



**Features:**

- Minimum Lumen Maintenance: 50 000h (L80B10)

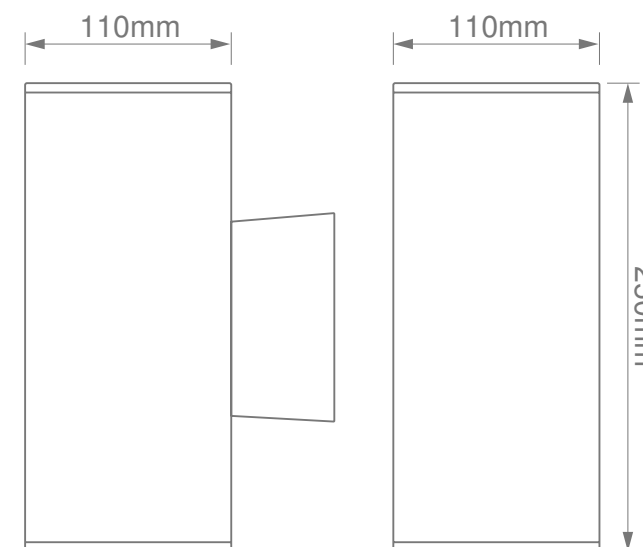
**Ordering Example:** Product Name/CRI/Kelvin/Frame Colour/Beam Angle Up/Beam Angle Down/Wattage (e.g. Abbe 250/80/4000/B/24/12/2x18W)

Input Power	LED-Modules	Colour Consistency	Installation Type	Material	Beam Angles	Kelvin
220-240 V	CRI 80+	3-Step MacAdam	Wall Mounted	Powder Coated Aluminium	12° 24° 36°	○ 4000K



Product Code	Dimensions	CRI	K	W (System)	LM (System)
Abbe250/80/4000/2x18W	110mm x 110mm x 250mm	80+	4000K	2x 18W	2x 1900Lm*

**Dimensions:**



**FRAME COLOUR OPTIONS**

- White (W)
- Black (B)
- Special (SP)

\*All Lumen Outputs Stated Above Are Based A Nominal Output That Included A 10% Light Loss, This Can Vary Depending On The Optic Used.



**Features:**

- Phase-Cut Dim
- Minimum Lumen Maintenance: 50 000h (L80B10)

**Ordering Example:** Product Name/CRI/Kelvin/Beam Angle/Frame Colour/Wattage (e.g. Cort80/80/3000/38/B/8W)

Input Power	LED-Modules	Colour Consistency	Installation Type	Material	Beam Angle
220-240 V	CRI 80+	3-Step MacAdam	Wall Mounted	Powder Painted Aluminium	38°

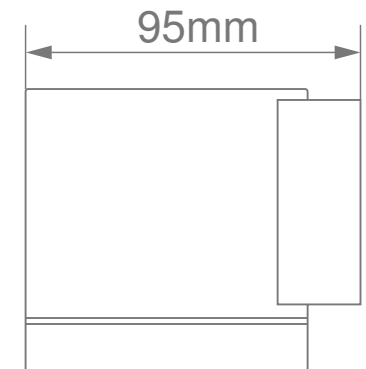
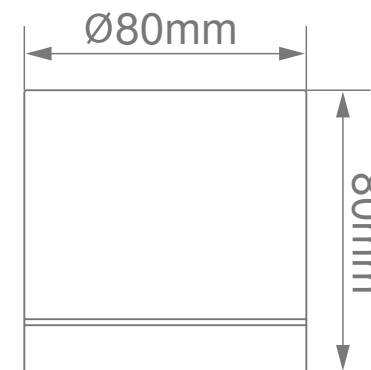


Product Code	Dimensions	CRI	K	W (System)	LM (System)
Cort80/80/3000/8W	Ø80mm x 80mm x 95mm	80+	3000K	8W	480Lm*

**Dimensions:**

**FRAME COLOUR OPTIONS:**

- White (W)
- Black (B)
- Light Grey (LG)
- Dark Grey (DG)



*\*All Lumen Outputs Stated Above Are Based A Nominal Output That Included A 10% Light Loss, This Can Vary Depending On The Optic Used.*



**Features:**

- Phase-Cut Dim
- Minimum Lumen Maintenance: 50 000h (L80B10)

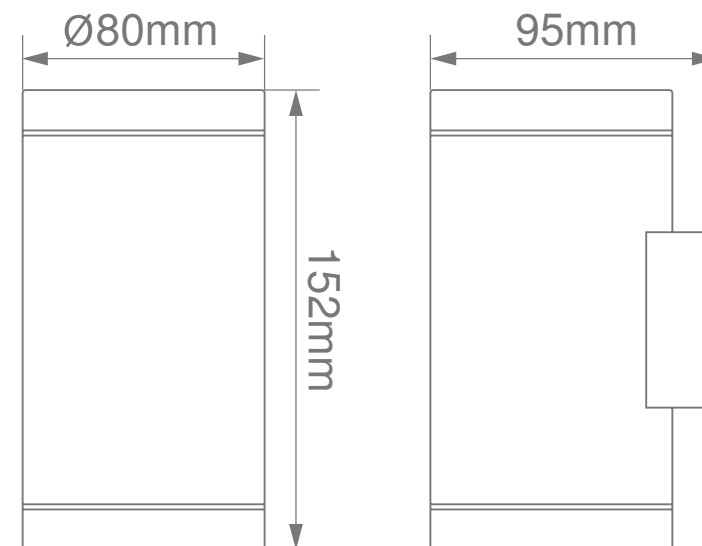
**Ordering Example:** Product Name/CRI/Kelvin/Beam Angle/Frame Colour/Wattage (e.g. Cort152/80/3000/38/B/2x8W)

Input Power	LED-Modules	Colour Consistency	Installation Type	Material	Beam Angle
220-240 V	CRI 80+	3-Step MacAdam	Wall Mounted	Powder Painted Aluminium	38°



Product Code	Dimensions	CRI	K	W (System)	LM (System)
Cort152/80/3000/2x8W	Ø80mm x 152mm x 95mm	80+	3000K	2x 8W	2x 480Lm*

**Dimensions:**



**FRAME COLOUR OPTIONS:**

- White (W)
- Black (B)
- Light Grey (LG)
- Dark Grey (DG)

*\*All Lumen Outputs Stated Above Are Based A Nominal Output That Included A 10% Light Loss, This Can Vary Depending On The Optic Used.*



**Features:**

- Helicoils Standard
- Anti-Corrosive Powder Coating
- UV Stabilised High Impact Acrylic
- Minimum Lumen Maintenance: 30 000h (L80B50)



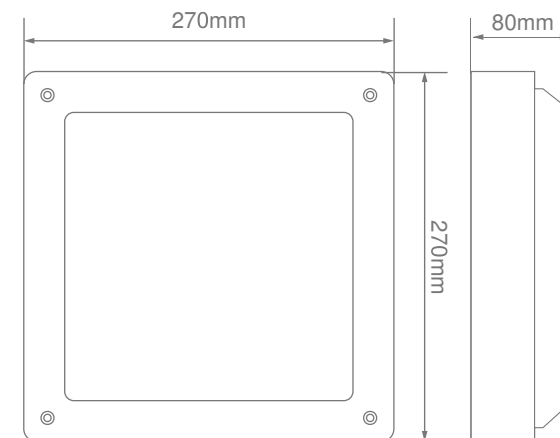
**Ordering Example:** Product Name/CRI/Kelvin/Beam Angle/Frame Colour/Wattage (e.g. DionaEyelid/80/4000/90/W/24W)

Input Power	LED-Modules	Installation Type	Material	Frame Colour	Beam Angle	Kelvin
190-260V AC	CRI 80+	Surface Mounting	Aluminium Body PMMA Diffuser (Diona) Ploycarbonate Diffuser (Diona Eyelid)	<input type="radio"/> White (W) <input type="radio"/> Silver (S) <input type="radio"/> Black (B)	90°	<input type="radio"/> 3000K <input type="radio"/> 4000K <input type="radio"/> 5000K

**COB Luminous Flux:**

Product Code	Dimensions	CRI	K	W (System)	LM (System)
Diona/80/4000/18W	270mm x 270mm x 80mm	80+	4000K	18W	1350Lm*
Diona/80/4000/24W	270mm x 270mm x 80mm	80+	4000K	24W	1800Lm*

**Dimensions:**



**Optional Eyelid (On Request)**





**Features:**

- Minimum Lumen Maintenance: 50 000h (L80B10)

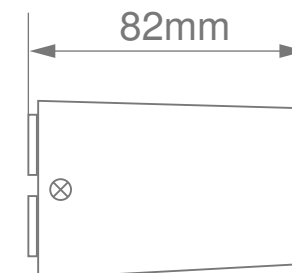
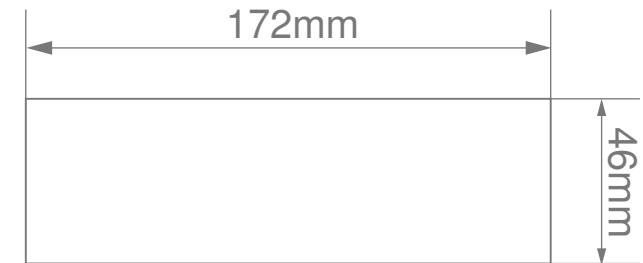


**Ordering Example:** Product Name/CRI/Kelvin/Beam Angle/Frame Colour/Wattage (e.g. Lon 46/80/3000/120/B/8W)

Input Power	LED-Modules	Colour Consistency	Installation Type	Material	Beam Angle	Kelvin
220-240 V	CRI 80+	3-Step MacAdam	Wall Mounted	ABS & PC Body PC Diffuser	120°	☉ 3000K

Product Code	Dimensions	CRI	K	W (System)	LM (System)
Lon90/80/3000/8W	172mm x 82mm x 46mm	80+	3000K	8W	950Lm*

**Dimensions:**



FRAME COLOUR OPTIONS:

- White (W)
- Black (B)
- Grey (G)

\*All Lumen Outputs Stated Above Are Based A Nominal Output That Included A 10% Light Loss, This Can Vary Depending On The Optic Used.



**Features:**

- Minimum lumen maintenance: 50 000h (L80B10)

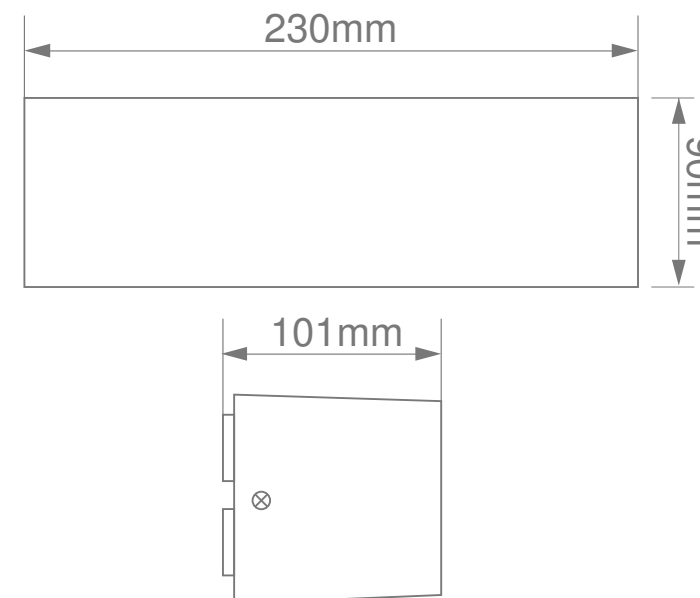


**Ordering Example:** Product Name/CRI/Kelvin/Beam Angle/Frame Colour/Wattage (e.g. Lon 90/80/3000/120/B/12W)

Input Power	LED-Modules	Colour Consistency	Installation Type	Material	Beam Angle
220-240 V	CRI 80+	3-Step MacAdam	Wall Mounted	ABS & PC Body PC Diffuser	120°

Product Code	Dimensions	CRI	K	W (System)	LM (System)
Lon90/80/3000/12W	101mm x 230mm x 90mm	80+	3000K	12W	1500Lm*

**Dimensions:**



**FRAME COLOUR OPTIONS**

- White (W)
- Black (B)
- Grey (G)

\*All Lumen Outputs Stated Above Are Based A Nominal Output That Included A 10% Light Loss, This Can Vary Depending On The Optic Used.





**Features:**

- Helicoils Standard
- UV Stabilised High Impact Acrylic
- Minimum Lumen Maintenance: 30 000h (L70B50)



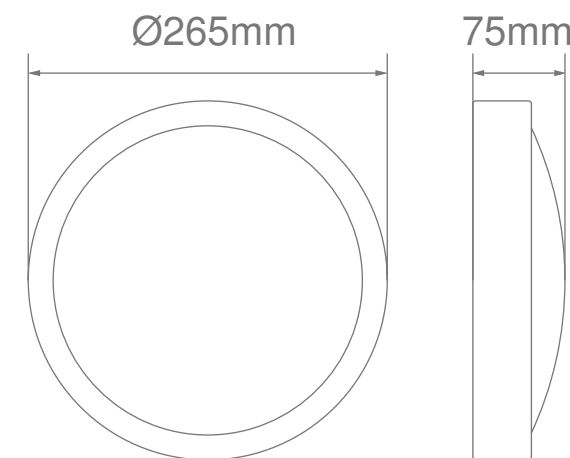
**Ordering Example:** Product Name/CRI/Kelvin/Beam Angle/Frame Colour/Wattage (e.g. Mediterranean/80/5000/90/W/15W)

Input Power	LED-Modules	Installation Type	Material	Frame Colour	Beam Angle	Kelvin
100-240 V	CRI 80+	Surface Mount	Glass-Filled Polymer Body  Polycarbonate Diffuser	<input type="radio"/> White (W) <input checked="" type="radio"/> Black (B)	90°	<input checked="" type="radio"/> 3000K <input type="radio"/> 4000K <input type="radio"/> 5000K

**COB Luminous Flux:**

Product Code	Dimensions	CRI	K	W (System)	LM (System)
Mediterranean/80/5000/15W	265mm x 75mm	80+	5000K	15W	1800Lm*

**Dimensions:**



\*All Lumen Outputs Stated Above Are Based A Nominal Output That Included A 10% Light Loss, This Can Vary Depending On The Optic Used.



**Features:**

- Helicoils Available On Request
- Anti-Corrosive Powder Coating
- UV Stabilised High Impact Acrylic
- Minimum Lumen Maintenance: 30 000h (L80B50)



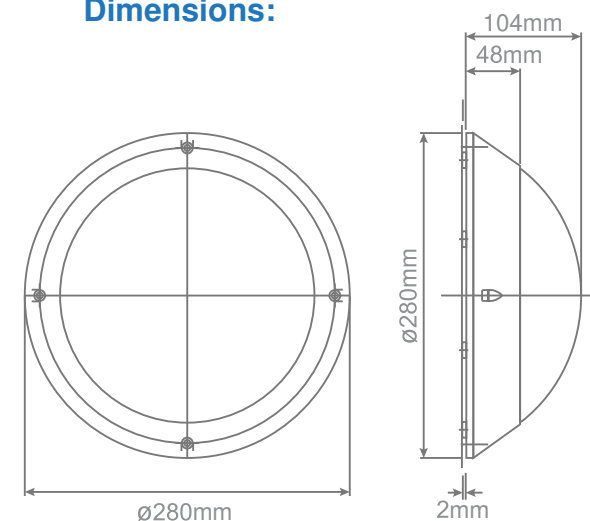
**Ordering Example:** Product Name/CRI/Kelvin/Beam Angle/Frame Colour/Wattage (e.g. Saturn/80/5000/90/W/15W)

Input Power	LED-Modules	Installation Type	Material	Frame Colour	Beam Angle	Kelvin
190-260V AC	CRI 80+	Surface Mount	Aluminium Body PMMA Diffuser	<input type="radio"/> White (W) <input type="radio"/> Silver (S) <input checked="" type="radio"/> Black (B)	90°	<input checked="" type="radio"/> 3000K <input type="radio"/> 4000K <input type="radio"/> 5000K

**COB Luminous Flux:**

Product Code	Dimensions	CRI	K	W (System)	LM (System)
Saturn/80/5000/15W	Ø280mm x 104mm	80+	5000K	15W	1360Lm*

**Dimensions:**



\*All Lumen Outputs Stated Above Are Based A Nominal Output That Included A 10% Light Loss, This Can Vary Depending On The Optic Used.



**Features:**

- Efficacy Of Up To 97lm/W\*
- Minimum Lumen Maintenance: 50 000h (L90B10)

**Typical Applications:**

- Decorative
- Architectural Wall Accent Lighting



**Ordering Example:** Product Name/CRI/Kelvin/Beam Angle/Luminaire Colour/Wattage (e.g.ThemistoWallWasher/80/4000/60/G/12W)

Input Power	LED-Modules	Colour Consistency	Installation Type	Material	Beam Angles	Luminaire Colour	Kelvin
220-240 V	CRI 80+	3-Step MacAdam	Surface Mounted	Powder Coated Extruded Aluminium  Extruded UV Stabilised Frosted PMMA Diffuser	30° 60° 90° 110°	● Grey (G)	● 4000K

Product Code	Dimensions	CRI	K	W (System)	LM (System)
ThemistoWallWasher/80/4000/12W	605mm x 120mm x 82mm	80+	4000K	12W	4800Lm* (580lm Up And Down)

**Dimensions:**



\*Various Kelvin and CRI options available to suit project requirements, available on request.

\*All Lumen Outputs Stated Above Are Based A Nominal Output That Included A 10% Light Loss, This Can Vary Depending On The Optic Used.



**Features:**

- Replaceable GU10 lamp
- Housing Warranty (3 Years)

**Ordering Example:** Product Name/Frame Colour (e.g. Amara90/B)

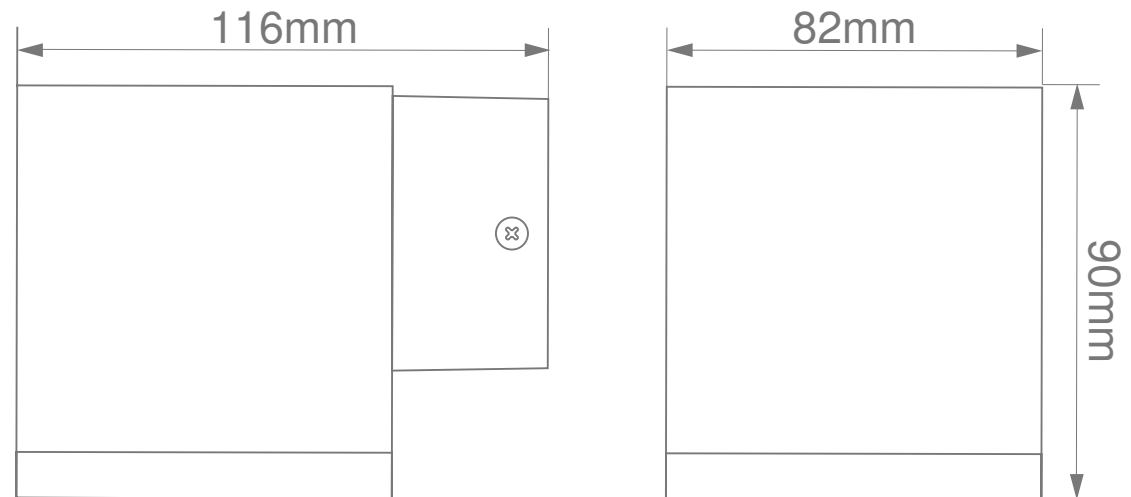
Input Power	LED-Modules	Colour Consistency	Installation Type	Material	Beam Angles
220V	GU10	-	Wall Mounted	Powder Coated Aluminium Tempered Glass	-



**Frame Colour:**

- Black (B)

**Dimensions:**





**Features:**

- Replaceable GU10 Lamp (Lamp Not Included)
- Up & Down Lamp
- Housing Warranty (3 Years)

**Ordering Example:** Product Name/Frame Colour (e.g. Amara180/B)

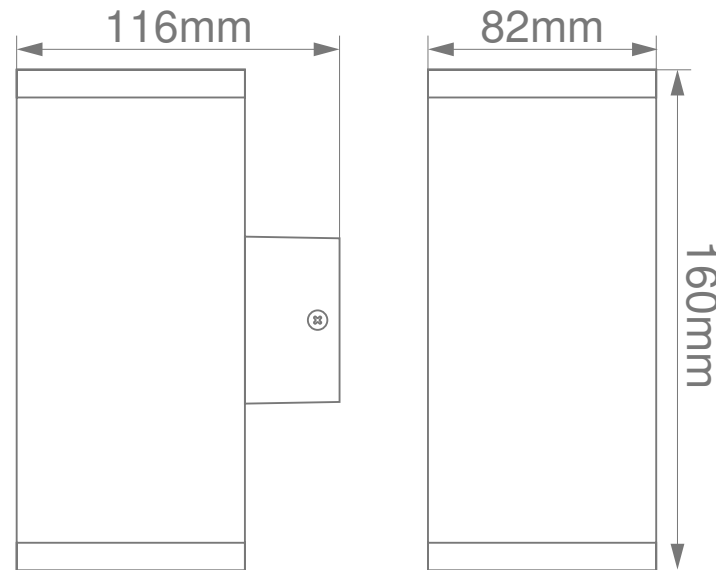
Input Power	LED-Modules	Colour Consistency	Installation Type	Material	Beam Angles
220V	GU10	-	Wall Mounted	Powder Coated Aluminium Tempered Glass	-



FRAME COLOUR

- Black (B)

**Dimensions:**





**Features:**

- Replaceable GU10 lamp
- Housing Warranty (3 Years)

**Ordering Example:** Product Name/Frame Colour/Bracket (e.g. Sophia120/B/CB)

Input Power	LED-Modules	Colour Consistency	Installation Type	Material	Beam Angles
220V	GU10	-	Wall Mount	Powder Coated Aluminium  Tempered Glass	-



**FRAME COLOUR OPTIONS:**

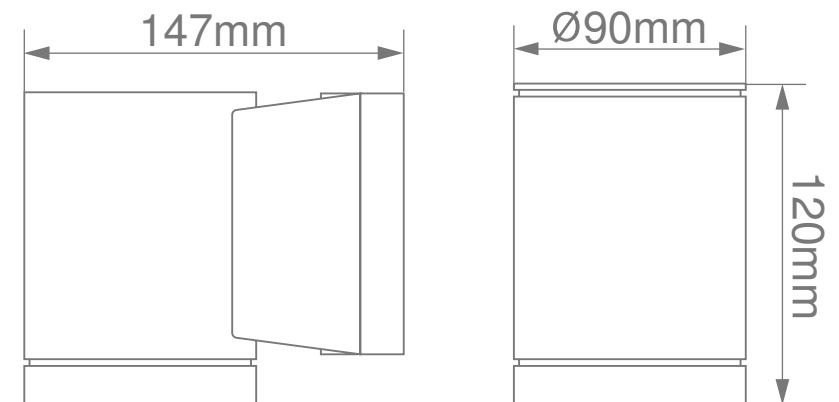
- White (W)
- Black (B)
- Graphite (GR)

**MOUNTING OPTIONS:**



Corner Bracket (CB)

**Dimensions:**





**Features:**

- Replaceable GU10 lamp
- Housing Warranty (3 Years)

**Ordering Example:** Product Name/Frame Colour/Bracket (e.g. Sophia 215/B/CB)

Input Power	LED-Modules	Colour Consistency	Installation Type	Material	Beam Angles
220V	GU10	-	Wall Mount	Powder Coated Aluminium  Tempered Glass	-



**FRAME COLOUR OPTIONS**

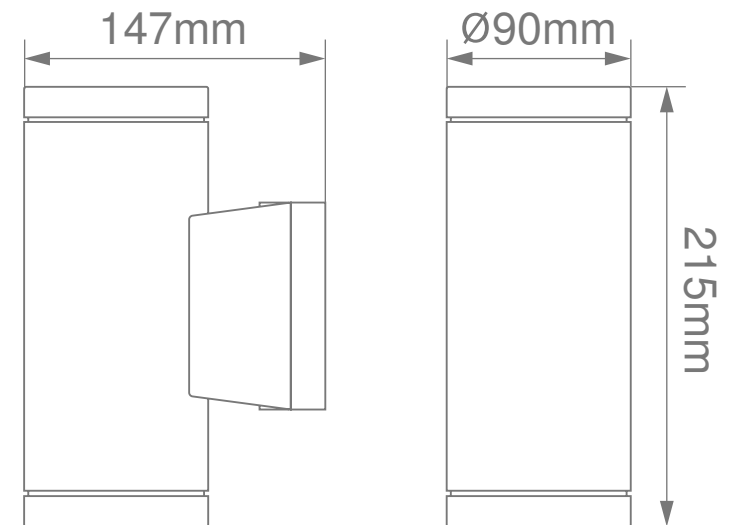
- White (W)
- Black (B)
- Graphite (GR)

**MOUNTING OPTIONS**



Corner Bracket (CB)

**Dimensions:**





**Features:**

- Replaceable 2x 10W GU10 Lamps

**Ordering Example:** Product Name/Colour (e.g. Block2/B)

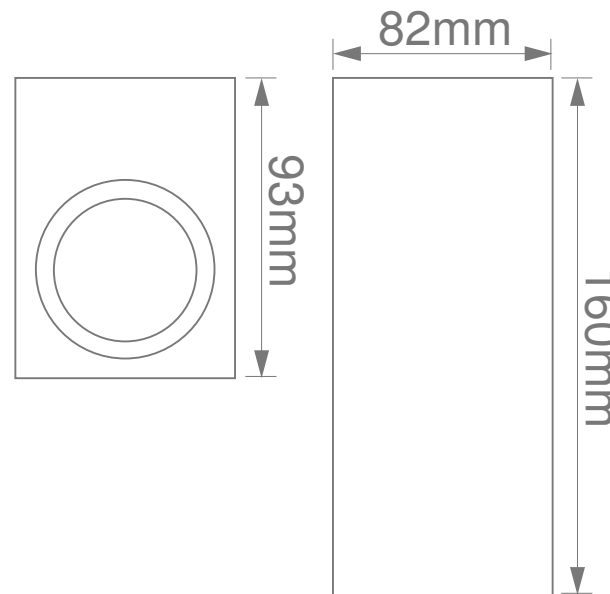
Input Power	LED-Modules	Colour Consistency	Installation Type	Material	Beam Angles
220V	GU10 2x 10W	-	Wall Mounted	Powder Coated Aluminium  Tempered Glass	-



**COLOUR OPTIONS:**

- Black (B)
- White (W)
- Silver (S)

**Dimensions:**





A nighttime cityscape featuring a prominent skyscraper with a glowing 'COMCAST' sign at the top. The building is illuminated with a grid of lights, and the surrounding city is visible with various lights and structures.

# Contact

## Cape Town

1B Hansen Close,  
Richmond Park,  
Cape Town  
T. +27 21 555 0570

## Durban

Unit L, Nandi Park,  
34 Brickworks Way  
Briardene  
T. +27 31 001 2964

## Namibia - Windhoek

Unit 2, Tesoro Building,  
31 TV More Street  
Windhoek  
T. +264 61 40 0339

## Johannesburg

17 Galaxy Road,  
Unit 5A Galaxy Park,  
Linbro Park  
T. +27 11 262 5179

## Port Elizabeth

216 Main Road,  
Walmer  
Port Elizabeth  
T. +27 41 451 4359