

RUBICON
LIGHTING

ERIN





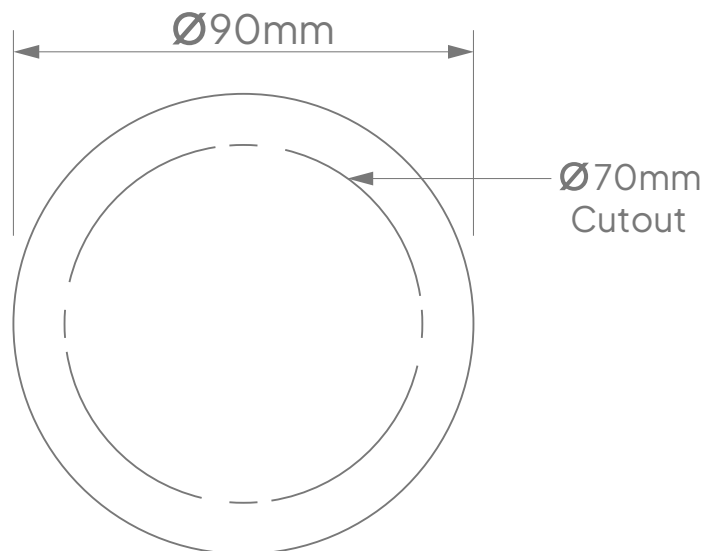
Features:

- Replaceable GU10 Lamp (Lamp Not Included)
- Housing Warranty (3 Years)



| | |
|----------------------------|-----------------------------------|
| Power Supply: | 220-240V AC 50 - 60Hz |
| LED- Module | GU10 LED Compatible (50W Max) |
| Installation Type: | Recessed Mounted |
| Ingress Protection: | IP20 |
| Dimensions: | Ø90mm (Ø70mm Cutout) |
| Luminaire Colour: | ○ Sand White |
| Material: | Housing - Powder Coated Aluminium |

Dimensions:



*E & O.E (Errors And Omissions Excepted)

*Subject to change without prior notice.

Contact

Cape Town

1B Hansen Close,
Richmond Park,
Cape Town
T. +27 21 555 0570

Durban

Unit L, Nandi Park,
34 Brickworks Way
Briardene
T. +27 31 001 2964

Namibia – Windhoek

Unit 2, Tesoro Building,
31 TV More Street
Windhoek
T. +264 61 40 0339

Johannesburg

17 Galaxy Road,
Unit 5A Galaxy Park,
Linbro Park
T. +27 11 262 5179

Port Elizabeth

216 Main Road,
Walmer
Port Elizabeth
T. +27 41 451 4359