



RUBICON
LIGHTING

Emergency Lighting

Emergency Lighting (3-5)



Voyager Fit



Voyager Escape



Voyager Twinspot

Exit Signs (6-9)



Sigma



Solidus



Caret Double



Voyager Style

Emergency Packs (10-17)



Dara DALI Kit



Alvis DALI Kit



LED Universe



LED Universe
Delta



Boman Kit



Gamma Slim Kit



Tallis 10-40W



Tallis 85-200W



Features:

- Non-Maintained Operation
- Super Compact Plug & Play LED
- Optimised Lenses For Different Applications
- Manual, Self-Test Or Addressable Monitoring
- Self contained power supply
- Minimum Lumen Maintenance: 50 000h (L90B10)



Ordering Example: Product Name/CRI/Kelvin/Lens/Luminaire Colour/Wattage (e.g. VoyagerFit/80/6500/AP/W/2.5W)

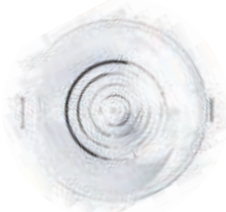
Input Power	Emergency Duration	Battery type	Installation Type	Lenses	Luminaire Colour	Kelvin
230V AC	3 Hours 100% Output	Lithium Ion Phosphate	Recessed Mount	Anti Panic (AP) Spot (SP) Escape Route (ER)	○ White (W)	● 6500K

Product Code	Dimensions	CRI	K	W (System)	LM (System)
VoyagerFit/80/6500/AP/2.5W	Ø51mm x 94mm (Ø40mm Cutout)	80+	6500K	2.5W	200Lm*

*Lumen outputs are based on emergency operation.

Available Lenses:

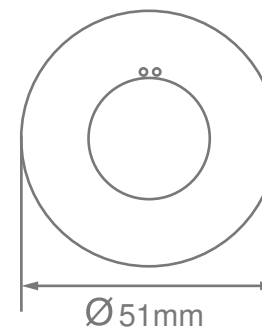
Anti Panic (AP)



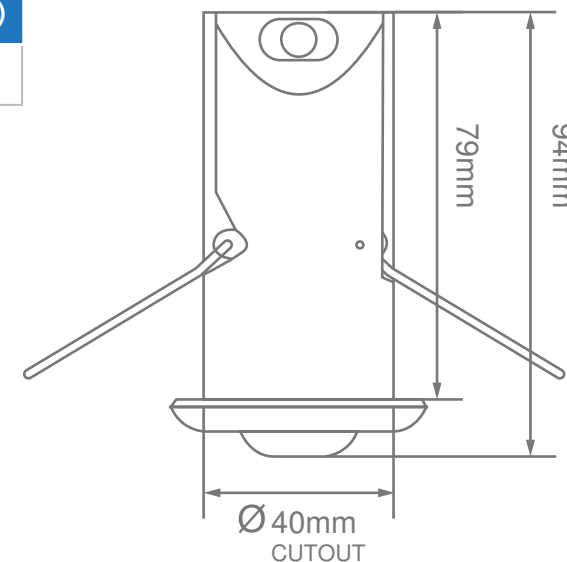
Spot (SP)



Escape Route (ER)



Dimensions:





Features:

- Non-Maintained Operation
- Super Compact Plug & Play LED
- Easily Achieves 8M Luminaire Spacing
- Manual (DB)
- Self Contained Power Supply
- Minimum Lumen Maintenance: 30 000h (L90B10)



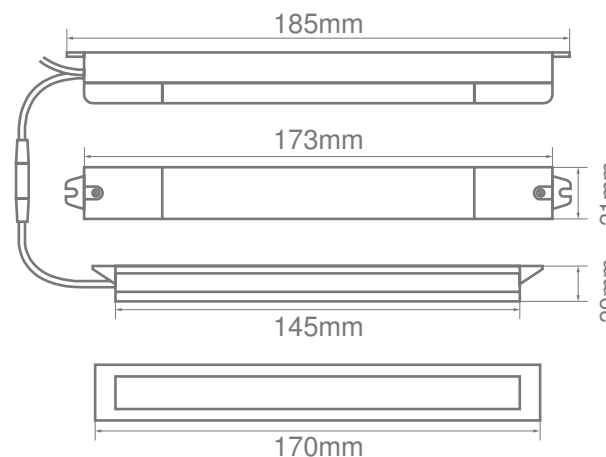
Ordering Example: Product Name/CRI/Kelvin/Luminaire Colour/Wattage (e.g. VoyagerEscape/80/4000/W/3W)

Input Power	Emergency Duration	Battery type	Installation Type	Luminaire Colour
230V AC	3 Hours 100% Output	Lithium Ion Phosphate	Recessed Mount	○ White (W)

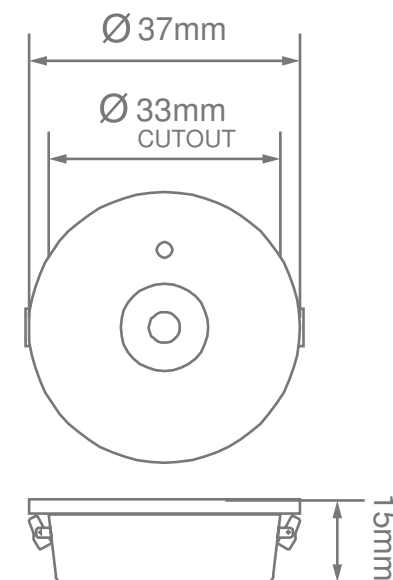
Product Code	Dimensions	CRI	K	W (System)	LM (System)
VoyagerEscape/80/4000/3W	Ø37mm x 15mm (Ø33mm Cutout)	80+	4000K	3W	110Lm*

*Lumen outputs are based on emergency operation.

Battery Pack Dimensions:



Luminaire Dimensions:





Features:

- Non-Maintained Operation
- For High Risk Applications
- Light Weight (1.7Kg)
- DALI Optional
- Self Contained Power Supply
- Minimum Lumen Maintenance: 50 000h (L90B10)



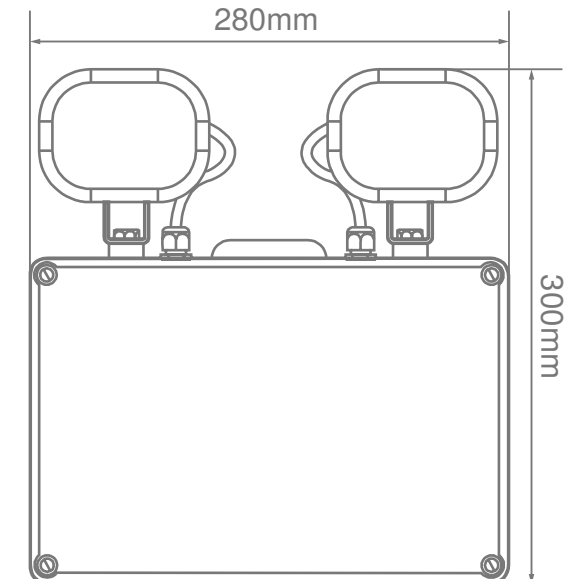
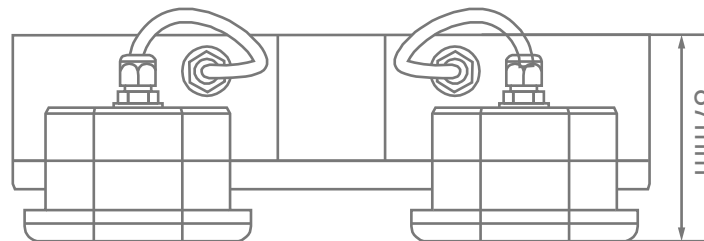
Ordering Example: Product Name/CRI/Kelvin/Luminaire Colour/Wattage (e.g. VoyagerTwinspot/80/6000/W/2x2.8W)

Input Power	Emergency Duration	Battery type	Installation Type	Luminaire Colour	Kelvin
230V AC	3 Hours 100% Output	Nickel-Cadmium	Surface Mount	<input type="radio"/> White (W)	<input checked="" type="radio"/> 6000K

Product Code	Dimensions	CRI	K	W (System)	LM (System)
VoyagerTwinspot/80/6000/2x2.8W	280mm x 300mm x 87mm	80+	6000K	2x.2.8W	2x 400Lm*

*Lumen outputs are based on emergency operation.

Dimensions:





Features:

- Non-Maintained Operation
- SABS Approved
- High Level Emergency Illumination
- DALI Optional
- Self Contained
- Minimum Lumen Maintenance: 50 000h (L80B10)

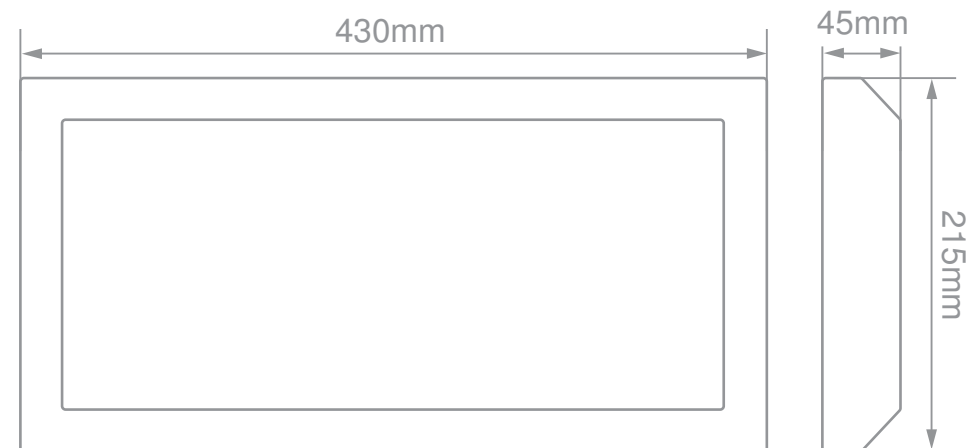


Ordering Example: Product Name (e.g. Sigma-ES)

Input Power	Emergency Duration	Battery Type	Installation Type	Legend Height
230V AC	1 Hours 100% Output	5x 2Ahr Nickel-Cadmium	Surface Mounted	150mm

Product Code	Dimensions	CRI	K	W (System)	LM (System)
Sigma-ES/3W	430mm x 215mm x 45mm	80+	4000K	3W	240Lm*

Dimensions:





Features:

- Non-Maintained Operation
- Emergency Test Button Provided
- Customisable Signage
- DALI Optional
- Self Contained
- Minimum Lumen Maintenance: 50 000h (L80B10)



Exit Signage Standard (STD)

Ordering Example: Product Name/Signage Option/Wattage (e.g. Solidus-ES/STD/2W)

Input Power	Emergency Duration	Battery type	Installation Type	Legend Height
230V AC	2 Hours 100% Output	Nickel-Cadmium	Surface Wall	120mm

Product Code	Dimensions	CRI	K	W (System)	LM (System)
Sigma-ES/4000/2W	375mm x 145mm x 28mm	80+	4000K	2W	240Lm*

Dimensions:

Signage Options:

Available in Right (R) or Left (L) Arrow Directions





Features:

- Non-Maintained Operation
- Emergency Test Button Provided
- Customisable Signage
- Double Sided
- Minimum Lumen Maintenance: 50 000h (L80B10)



Exit Signage Standard (STD)

Ordering Example: Product Name/Signage Option/Wattage (e.g. CaretDS-ES/STD/4W)

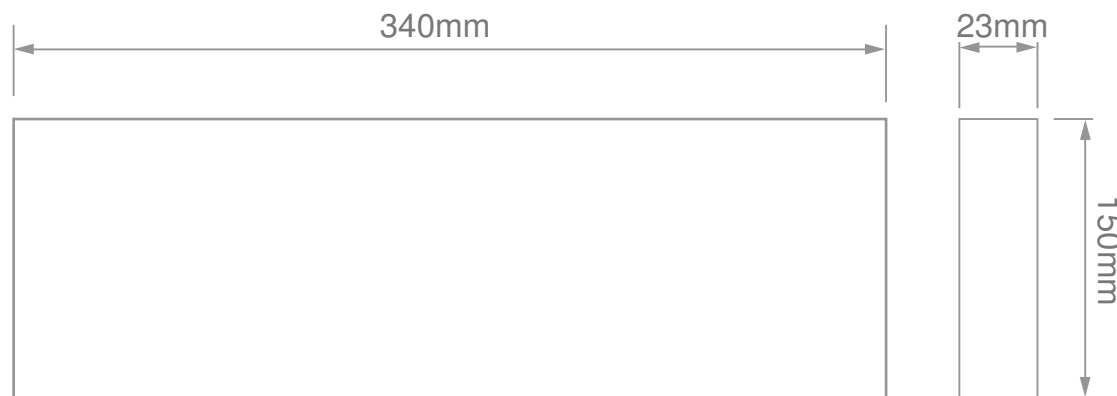
Input Power	Duration	Battery Type	Installation Type	Legend Height
230V AC	3 Hours 100% Output	Nickel-Cadmium	Surface Ceiling	140mm

Product Code	Dimensions	CRI	K	W (System)	LM (System)
CaretDS-ES/4W	340mm x 150mm x 23mm	80+	4000K	4W	400Lm*

Dimensions:

Signage Options:

Available in Right (R) or Left (L) arrow directions



*All Lumen Outputs Stated Above Are Based A Nominal Output That Included A 10% Light Loss, This Can Vary Depending On The Optic Used.



Features:

- Non-Maintained Operation
- Ultra-Slim Design
- Maximum Viewing Distance Of 23-30M
- Minimum Lumen Maintenance: 50 000h (L90B10)
- Self Test
- Self-Contained



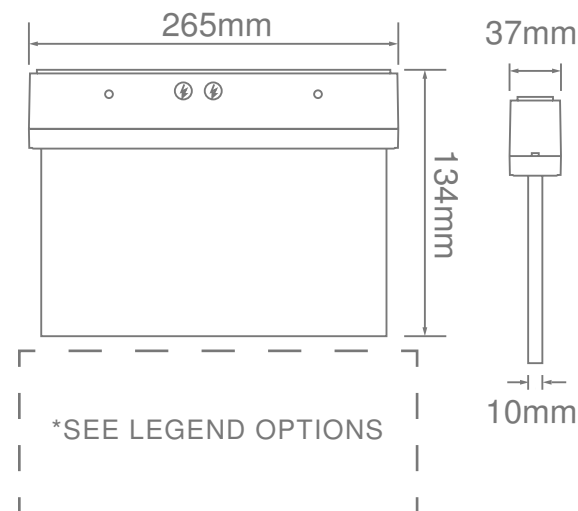
Ordering Example: Product Name/Lens/Legend Height (e.g. VoyagerS-ES/AP/LH15)

Input Power	Emergency Duration	Battery type	Installation Type	Legend Height
230V AC	3 Hours 100% Output	Nickel Metal Hydride	Surface Ceiling Surface Wall Suspended Ceiling Recessed	115mm (LH15) or 150mm (LH50)



Product Code	Dimensions	CRI	K	W (System)	LM (System)
VoyagerS-ES/AP	265mm x 134mm + Legend Height*	80+	6500K	4W	192Lm*
VoyagerS-ES/ER	265mm x 134mm + Legend Height*	80+	6500K	4W	163Lm*

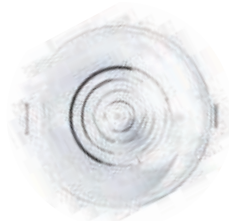
Dimensions:



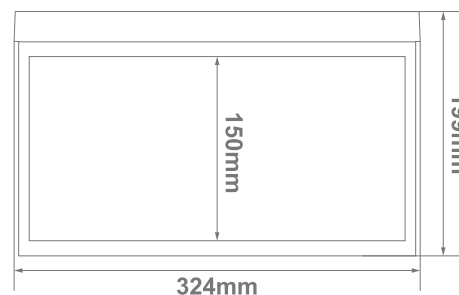
Available Lenses:

Anti Panic (AP)

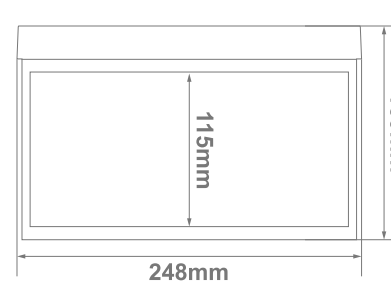
Escape Route (ER)



LH50



LH15





Features:

- Maintained Operation
- DALI Addressable
- Constant Current
- Addressable Or Manual Testing Modes
- Remote Box Supplied
- SANS1464-22 Compliant

Ordering Example: Product Name (e.g. Dara-EG)

Input Power	Dimensions	Emergency Duration	Battery Type	Remote Box
230V AC (+/-10%)	250mm x 45mm x 35mm	1 Hour 20% Output	7.2V Nickel-Cadmium 6x2Ahr	220mm x 82mm x 50mm

**When performing a test and a fault is detected, the unit will end the test and record the fault it will only report the fault once it is queried with various commands.*



For detailed luminaire compatibility, please contact your Rubicon Lighting representative.



Features:

- Non-Maintained Operation
- DALI Addressable
- Constant Current
- Low Profile Casing
- Remote Box Supplied

Ordering Example: Product Name (e.g. Alvis-EG)

Input Power	Dimensions	Emergency Duration	Battery Type	Remote Box
220-240V AC	179mm x 30mm x 21mm	1 Hour 20% Output	Nickel Metal Hydride 6x2Ahr	220mm x 82mm x 50mm



For detailed luminaire compatibility, please contact your Rubicon Lighting representative.



Features:

- Constant Current
- Output Voltage Of 10-300V
- SANS1464-22 Compliant
- Self-Testing
- Compatible External Driver
- Remote Box Supplied



Ordering Example: Product Name (e.g. LED Universe)

Input Power	Dimensions	Emergency Duration	Battery Type	Remote Box
110-250V AC	Inverter: 170mm x 45mm x 35mm Battery: 170mm x 45mm x 35mm	1 Hour 20% Output	7.2V Lithium-Ion	400mm x 50mm x 45mm

**Please note, this unit is used in situations where LED light source makes use of an external driver.*

For detailed luminaire compatibility, please contact your Rubicon Lighting representative.



Features:

- Constant Current
- Output Voltage Of 10-300V
- SANS1464-22 Compliant
- Self-Testing
- Built In Driver
- Remote Box Supplied



Ordering Example: Product Name (e.g. Alvis-EG)

Input Power	Dimensions	Emergency Duration	Battery Type	Remote Box
110-250V AC	Inverter: 170mm x 45mm x 35mm Battery: 170mm x 45mm x 35mm	1 Hour 20% Output	7.2V Lithium-Ion	400mm x 50mm x 45mm

**Please note, this unit is used in situations where LED light source makes use of an built in driver.*

For detailed luminaire compatibility, please contact your Rubicon Lighting representative.



Features:

- Constant Current
- Output Voltage Of 10-300V
- SANS1464-22 Compliant
- Self-Testing
- Remote Box Supplied



Ordering Example: Product Name (e.g. Boman-EG)

Input Power	Dimensions	Emergency Duration	Battery Type	Remote Box
100-253V AC	Inverter: 170mm x 45mm x 35mm Battery: 170mm x 45mm x 25mm	1 Hour 20% Output	7.2V Nickel-Cadmium 6x2Ahr	220mm x 115mm x 50mm

**Please note, this unit is used in situations where LED light source makes use of an external driver.
3 Hour duration available on request.

For detailed luminaire compatibility, please contact your Rubicon Lighting representative.



Features:

- Compact Dimensions
- Remote Box Supplied
- Weekly Automatic Self-Diagnosis
- Daily Testing Of System Status



Ordering Example: Product Name (e.g. Gamma-EG)

Input Power	Dimensions	Emergency Duration	Battery Type	Remote Box
220-240V AC	Inverter: 210mm x 31.4mm x 21.5mm Battery: 170mm x Ø24	1 Hour 20% Output	4.8V Nickel-Cadmium 1.8Ahr	320mm x 130mm x 50mm

**Please note, this unit is used in situations where LED light source makes use of an external or integrated driver.*

**3 Hour duration available on request.*

For detailed luminaire compatibility, please contact your Rubicon Lighting representative.



Features:

- Provides Emergency Power For Any 230V AC Lamps From 10W To 40W
- Battery Discharge Up To 2A
- 100% Emergency Light Output
- Remote Box Supplied

Ordering Example: Product Name/Wattage/Battery (e.g. TallisES/10W/NC)

Input Power	Dimensions	Emergency Duration	Battery Type
100-253V AC	See Table Below	45 Minutes 100% Output**	Nickel-Cadmium (NC) Or Lead-Acid (LA)



Product Code	Battery	Voltage	Dimensions	Remote Box Dimensions
TallisES/10W/NC	Nickel-Cadmium (6X2Ahr)	7.2V	170mm x 45mm x 35mm	220mm x 82mm x 50mm
TallisES/25W/NC	Nickel-Cadmium (10X2Ahr)	12V	250mm x 45mm x 35mm	320mm x 130mm x 50mm
TallisES/25W/LA	Lead-Acid (4.5Ahr)	12V	250mm x 45mm x 35mm	320mm x 130mm x 50mm
TallisES/40W/NC	Nickel-Cadmium (10X2Ahr)	12V	250mm x 78mm x 40mm	320mm x 130mm x 50mm
TallisES/40W/LA	Lead-Acid (4.5Ahr)	12V	250mm x 78mm x 40mm	320mm x 130mm x 50mm

**Increased duration available on request.*

For detailed luminaire compatibility, please contact your Rubicon Lighting representative.



Features:

- Provides Emergency Power For Any 230V AC Lamps From 85W To 200W
- Battery Discharge Up To 3.5A
- 100% Emergency Light Output
- Remote Box Supplied

Ordering Example: Product Name/Wattage (e.g. TallisES/85W)

Input Power	Dimensions	Emergency Duration	Battery Type
100-253V AC	See Table Below	30 Minutes 100% Output*	Lead-Acid



Product Code	Battery	Voltage	Dimensions	Remote Box Dimensions
TallisES/85W	Lead-Acid	24V (2x 12V)	250mm x 78mm x 40mm	220mm x 82mm x 50mm
TallisES/100W	Lead-Acid	24V (2x 12V)	110mm x 165mm x 360mm	320mm x 130mm x 50mm
TallisES/125W	Lead-Acid	24V (2x 12V)	110mm x 165mm x 360mm	320mm x 130mm x 50mm
TallisES/150W	Lead-Acid	24V (2x 12V)	360mm x 302mm x 120mm	320mm x 130mm x 50mm
TallisES/200W	Lead-Acid	24V (2x 12V)	360mm x 302mm x 120mm	320mm x 130mm x 50mm

**Increased duration available on request.*

For detailed luminaire compatibility, please contact your Rubicon Lighting representative.

A nighttime cityscape featuring a prominent skyscraper with the Comcast logo illuminated at the top. The building is surrounded by other lit-up structures, creating a vibrant urban scene.

Contact

Cape Town

1B Hansen Close,
Richmond Park,
Cape Town
T. +27 21 555 0570

Durban

Unit L, Nandi Park,
34 Brickworks Way
Briardene
T. +27 31 001 2964

Namibia - Windhoek

Unit 2, Tesoro Building,
31 TV More Street
Windhoek
T. +264 61 40 0339

Johannesburg

17 Galaxy Road,
Unit 5A Galaxy Park,
Linbro Park
T. +27 11 262 5179

Port Elizabeth

216 Main Road,
Walmer
Port Elizabeth
T. +27 41 451 4359