

RUBICON
LIGHTING

DIONA





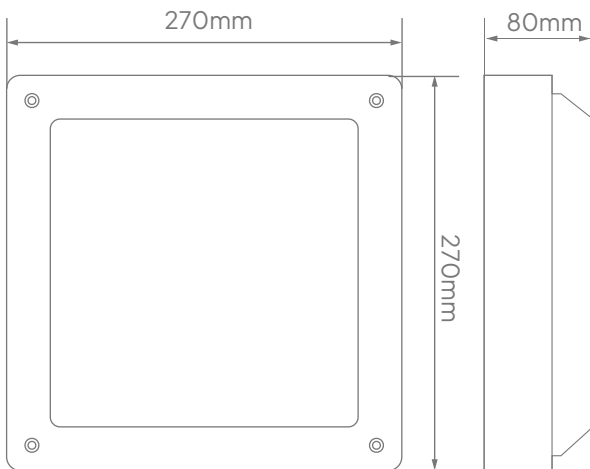
Features:

- Efficacy Of Up To 75lm/W*
- Helicoils Standard
- Anti-Corrosive Powder Coating
- UV Stabilized High Impact Acrylic
- Emergency Back-Up Option Available (On Request)
- Minimum Lumen Maintenance: 30 000h (L80B50)



Power Supply:	220-240V AC 50 - 60Hz				
Colour Rendering Index:	CRI 80+				
Colour Temperature: (Kelvin / CCT)	<input type="radio"/> 3000K <input type="radio"/> 5000K <input type="radio"/> 4000K				
Beam Angle:	90°				
Installation Type:	Surface Mounted				
Ingress Protection:	IP65				
Luminaire Colour:	<input type="radio"/> White <input checked="" type="radio"/> Black <input type="radio"/> Silver				
Material:	Housing - Powder Coated Aluminium Diffuser - • PMMA (Diona) • Polycarbonate (Diona Eyelid)				
	Dimensions	Wattage (System)	CRI	Kelvin	Luminous Flux (Effective)
	270mm x 270mm x 80mm	18W	80+	4000K	1350Lm*
	270mm x 270mm x 80mm	24W	80+	4000K	1800Lm*

Dimensions:



Optional: Diona Eyelid



*E & O.E (Errors And Omissions Excepted)

*Due to the rapid development in LED technology the performance values, power consumption and lumen output levels stated above are subject to change without prior notice.

*All lumen outputs stated above are based a nominal output that included a 10% light loss, this can vary depending on the optic used.

Contact

Cape Town

1B Hansen Close,
Richmond Park,
Cape Town
T. +27 21 555 0570

Durban

Unit L, Nandi Park,
34 Brickworks Way
Briardene
T. +27 31 001 2964

Namibia – Windhoek

Unit 2, Tesoro Building,
31 TV More Street
Windhoek
T. +264 61 40 0339

Johannesburg

17 Galaxy Road,
Unit 5A Galaxy Park,
Linbro Park
T. +27 11 262 5179

Port Elizabeth

216 Main Road,
Walmer
Port Elizabeth
T. +27 41 451 4359