

**RUBICON**  
LIGHTING

## CASA DUO





**Features:**

- New Gen-6 COB
- Passive Cooling
- Gimbal Action
- Supplied With Protective Glass
- Adjustable mA Driver (Dip Switches)
- Emergency Back-Up Option Available (On Request)
- Bluetooth Control Option Available (On Request)
- Minimum Lumen Maintenance: 50 000h (L80B10)



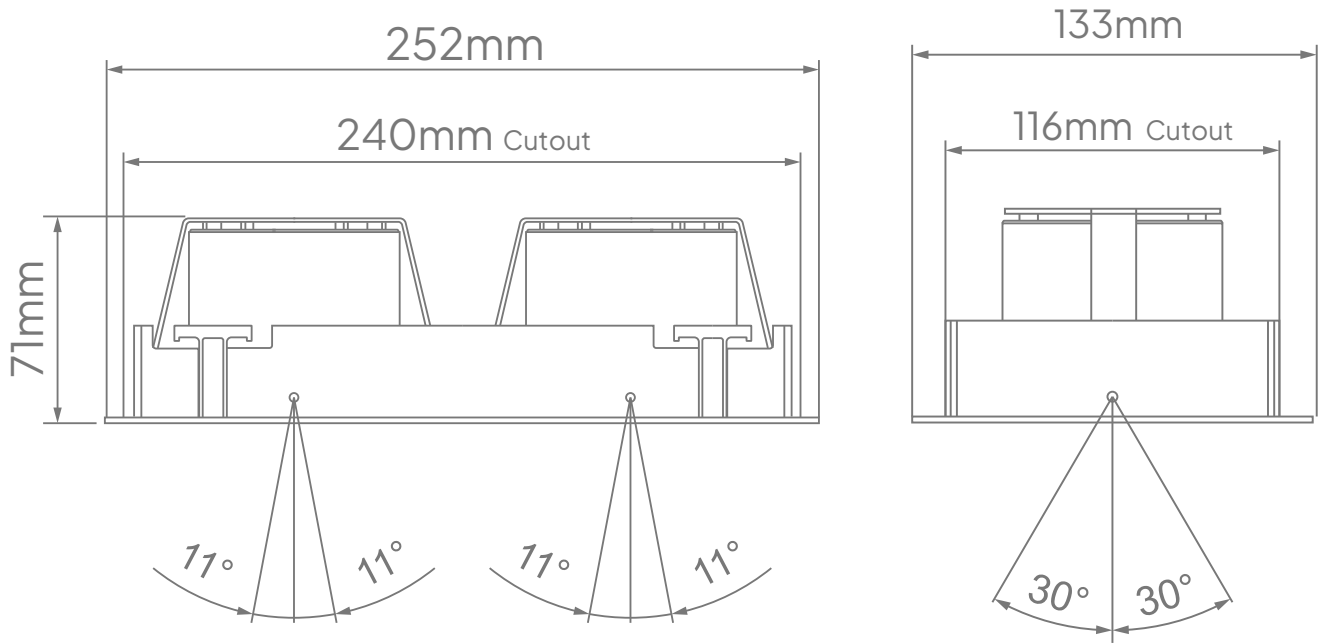
<b>Power Supply:</b>	220-240V AC   50 - 60Hz					
<b>Operating Temperature Range:</b> (Ta - Ambient)	- 20°C to 35°C					
<b>Dimming:</b>	Dali_1-10V (On Request)					
<b>Colour Rendering Index:</b>	CRI 80+ _ CRI 90+ _ CRI 97+					
<b>Colour Consistency:</b>	2-Step MacAdam					
<b>Colour Temperature:</b> (Kelvin / CCT)	<input type="radio"/> 2700K <input type="radio"/> 3500K <input type="radio"/> 5000K <input type="radio"/> 3000K <input type="radio"/> 4000K					
<b>Beam Angle:</b>	15° _ 20° _ 30° _ 50°					
<b>Installation Type:</b>	Recessed Ceiling Mounted Luminaire					
<b>Ingress Protection:</b>	IP20					
<b>Luminaire Colour:</b>	<input type="radio"/> White <input checked="" type="radio"/> Black <input type="radio"/> Silver					
<b>Material:</b>	Housing - Powder coated aluminium					
	<b>Dimensions</b>		<b>Wattage (System)</b>	<b>CRI</b>	<b>Kelvin</b>	<b>Luminous Flux (Effective)</b>
	252mm x 133mm x 71mm (Cutout 240mmx116mm)	650mA	2x 25W	80+	3000K	2x 3257Lm*
	252mm x 133mm x 71mm (Cutout 240mmx116mm)	700mA	2x 27W	80+	3000K	2x 3450Lm*
	252mm x 133mm x 71mm (Cutout 240mmx116mm)	650mA	2x 25W	90+	3000K	2x 2575Lm*
	252mm x 133mm x 71mm (Cutout 240mmx116mm)	650mA	2x 25W	90+	3500K	2x 2800Lm*
	252mm x 133mm x 71mm (Cutout 240mmx116mm)	700mA	2x 27W	90+	3000K	2x 2725Lm*
	252mm x 133mm x 71mm (Cutout 240mmx116mm)	700mA	2x 27W	90+	3500K	2x 2850Lm*

\*E & O.E (Errors And Omissions Excepted)

\*Due to the rapid development in LED technology the performance values, power consumption and lumen output levels stated above are subject to change without prior notice.

\*All lumen outputs stated above are based a nominal output that included a 10% light loss, this can vary depending on the optic used.

**Dimensions:**



\*E & O.E (Errors And Omissions Excepted)

\*Due to the rapid development in LED technology the performance values, power consumption and lumen output levels stated above are subject to change without prior notice.

\*All lumen outputs stated above are based a nominal output that included a 10% light loss, this can vary depending on the optic used.

# Contact

## Cape Town

1B Hansen Close,  
Richmond Park,  
Cape Town  
T. +27 21 555 0570

## Durban

Unit L, Nandi Park,  
34 Brickworks Way  
Briardene  
T. +27 31 001 2964

## Namibia – Windhoek

Unit 2, Tesoro Building,  
31 TV More Street  
Windhoek  
T. +264 61 40 0339

## Johannesburg

17 Galaxy Road,  
Unit 5A Galaxy Park,  
Linbro Park  
T. +27 11 262 5179

## Port Elizabeth

216 Main Road,  
Walmer  
Port Elizabeth  
T. +27 41 451 4359