

**RUBICON**  
LIGHTING

**CASA**





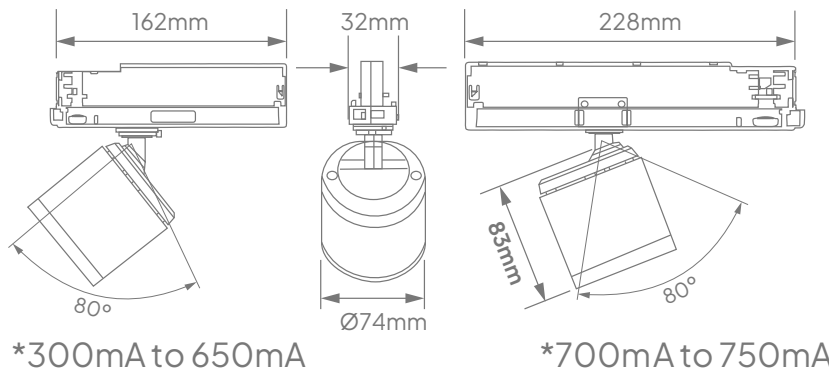
**Features:**

- New Gen-6 COB
- Passive Cooling
- Tilt And Rotate Action
- Supplied With Protective Glass
- Minimum Lumen Maintenance: 50 000h (L80B10)



<b>Power Supply:</b>	220-240V AC   50 - 60Hz					
<b>Operating Temperature Range:</b> (Ta - Ambient)	- 20°C to 35°C					
<b>Colour Rendering Index:</b>	CRI 80+ _ CRI 90+					
<b>Colour Consistency:</b>	2-Step MacAdam					
<b>Colour Temperature:</b> (Kelvin / CCT)	<input type="radio"/> 2700K <input type="radio"/> 3500K <input type="radio"/> 5000K <input type="radio"/> 3000K <input type="radio"/> 4000K					
<b>Beam Angle:</b>	15° _ 21° _ 32° _ 46°					
<b>Installation Type:</b>	3-Phase Track					
<b>Ingress Protection:</b>	IP20					
<b>Luminaire Colour:</b>	<input type="radio"/> White <input type="radio"/> Black <input type="radio"/> Silver					
<b>Material:</b>	Housing - Powder coated die-cast aluminium					
	Dimensions		Wattage (System)	CRI	Kelvin	Luminous Flux (Effective)
	Ø74mm x 162mm	350mA	14W	80+	3000K	1925Lm*
	Ø74mm x 162mm	440mA	17W	80+	4000K	2425Lm*
	Ø74mm x 162mm	550mA	21W	80+	4000K	2475Lm*
	Ø74mm x 162mm	650mA	25W	80+	3000K	3325Lm*
	Ø74mm x 228mm	700mA	27W	80+	5000K	3600Lm*
	Ø74mm x 228mm	750mA	29W	80+	4000K	3150Lm*

**Dimensions:**



\*E & O.E (Errors And Omissions Excepted)

\*Due to the rapid development in LED technology the performance values, power consumption and lumen output levels stated above are subject to change without prior notice.

\*All lumen outputs stated above are based a nominal output that included a 10% light loss, this can vary depending on the optic used.

# Contact

## Cape Town

1B Hansen Close,  
Richmond Park,  
Cape Town  
T. +27 21 555 0570

## Durban

Unit L, Nandi Park,  
34 Brickworks Way  
Briardene  
T. +27 31 001 2964

## Namibia – Windhoek

Unit 2, Tesoro Building,  
31 TV More Street  
Windhoek  
T. +264 61 40 0339

## Johannesburg

17 Galaxy Road,  
Unit 5A Galaxy Park,  
Linbro Park  
T. +27 11 262 5179

## Port Elizabeth

216 Main Road,  
Walmer  
Port Elizabeth  
T. +27 41 451 4359