

**RUBICON**  
LIGHTING

## BLOCK 2





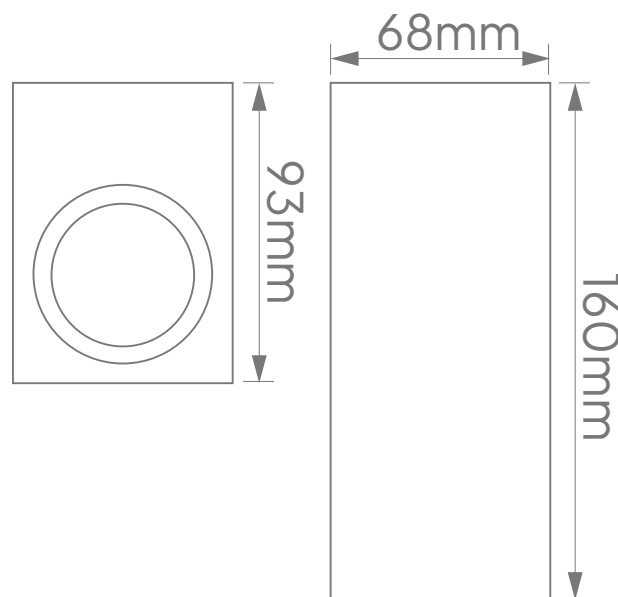
**Features:**

- Replaceable 2x GU10 Lamps
- Up & Down Light



<b>Power Supply:</b>	220 - 240V AC   50 - 60Hz
<b>LED- Module</b>	2x GU10
<b>Installation Type:</b>	Surface
<b>Ingress Protection:</b>	IP44
<b>Dimensions:</b>	160mm x 93mm x 68mm
<b>Luminaire Colour:</b>	<input type="radio"/> White <input checked="" type="radio"/> Black <input type="radio"/> Silver
<b>Material:</b>	Housing - Powder coated aluminium Diffuser - Tempered glass

**Dimensions:**



\*E & O.E ( Errors And Omissions Excepted )

\*Subject to change without prior notice.

# Contact

## Cape Town

1B Hansen Close,  
Richmond Park,  
Cape Town  
T. +27 21 555 0570

## Durban

Unit L, Nandi Park,  
34 Brickworks Way  
Briardene  
T. +27 31 001 2964

## Namibia – Windhoek

Unit 2, Tesoro Building,  
31 TV More Street  
Windhoek  
T. +264 61 40 0339

## Johannesburg

17 Galaxy Road,  
Unit 5A Galaxy Park,  
Linbro Park  
T. +27 11 262 5179

## Port Elizabeth

216 Main Road,  
Walmer  
Port Elizabeth  
T. +27 41 451 4359