

RUBICON
LIGHTING

AROSA II





Features:

- Efficacy Of Up To 105lm/W*
- Innovative Lighting Solution For AT Grid Ceiling System
- Compatible With Various Tile Edges On 15mm And 24mm T Bars
- Lightweight & Easy Installation
- UGR<16 (Black Reflector)
- Constant Voltage
- Minimum Lumen Maintenance: 50 000h (L80B10)



Maximum Running Length Per Driver
 Arosa 600mm:
 6 Fittings From One PSU (120W)
 Arosa 1200mm:
 4 Fittings From One PSU (120W)

Power Supply:	48V DC				
Operating Temperature Range: (Ta - Ambient)	-20°C to 35°C				
Dimming:	Dali (On Request)				
Colour Rendering Index:	CRI 80+				
Colour Consistency:	3-Step MacAdam				
Colour Temperature: (Kelvin / CCT)	<input checked="" type="radio"/> 3000K <input type="radio"/> 4000K				
Beam Angle:	90° (Prismatic Diffuser) _ 30° _ 60°				
Installation Types:	T-Grid Suspension				
Ingress Protection:	IP20				
Reflector Options:	<input type="radio"/> White <input checked="" type="radio"/> Black <input type="radio"/> Prismatic Diffuser				
Material:	Body - Extruded Aluminium				
	Dimensions	Wattage (System)	CRI	Kelvin	Luminous Flux (Effective)
Prismatic Diffuser	600mm x 20mm x 25mm	13W	80+	3000K	1200Lm*
	600mm x 20mm x 25mm	13W	80+	4000K	1280Lm*
	1200mm x 20mm x 25mm	26W	80+	4000K	2400Lm*
	1200mm x 20mm x 25mm	26W	80+	4000K	2600Lm*
Black Reflector	600mm x 20mm x 25mm	13W	80+	4000K	1200Lm*
	600mm x 20mm x 25mm	13W	80+	4000K	1280Lm*
	1200mm x 20mm x 25mm	26W	80+	4000K	2400Lm*
	1200mm x 20mm x 25mm	26W	80+	4000K	2600Lm*
White Reflector	600mm x 20mm x 25mm	13W	80+	4000K	1300Lm*
	600mm x 20mm x 25mm	13W	80+	4000K	1400Lm*
	1200mm x 20mm x 25mm	26W	80+	4000K	2600Lm*
	1200mm x 20mm x 25mm	26W	80+	4000K	2800Lm*

*E & O.E (Errors And Omissions Excepted)

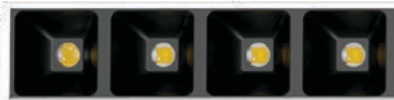
*Due to the rapid development in LED technology the performance values, power consumption and lumen output levels stated above are subject to change without prior notice.

*All lumen outputs stated above are based a nominal output that included a 10% light loss, this can vary depending on the optic used.

Reflector Options:



Pristmatic Diffuser (PD)

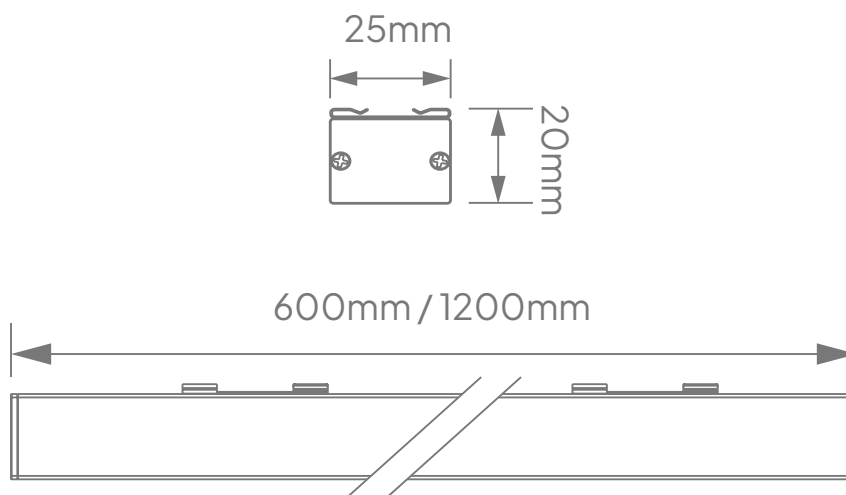


Black Reflector (BR)



White Reflector (WR)

Dimensions:



*E & O.E (Errors And Omissions Excepted)

*Due to the rapid development in LED technology the performance values, power consumption and lumen output levels stated above are subject to change without prior notice.

*All lumen outputs stated above are based a nominal output that included a 10% light loss, this can vary depending on the optic used.

Contact

Cape Town

1B Hansen Close,
Richmond Park,
Cape Town
T. +27 21 555 0570

Durban

Unit L, Nandi Park,
34 Brickworks Way
Briardene
T. +27 31 001 2964

Namibia – Windhoek

Unit 2, Tesoro Building,
31 TV More Street
Windhoek
T. +264 61 40 0339

Johannesburg

17 Galaxy Road,
Unit 5A Galaxy Park,
Linbro Park
T. +27 11 262 5179

Port Elizabeth

216 Main Road,
Walmer
Port Elizabeth
T. +27 41 451 4359