

RUBICON
LIGHTING

ARIANA





Features:

- Efficacy Of Up To 170lm/W*
- Bluetooth Control Option Available (On Request)
- Emergency Backup Option Available (On Request)
- THD At Full Power: < 10
- Surge Protection - Primary On board 4 kV fast transient (IEC 61000 4 4)
- Minimum Lumen Maintenance: 54 000h (L80B10)



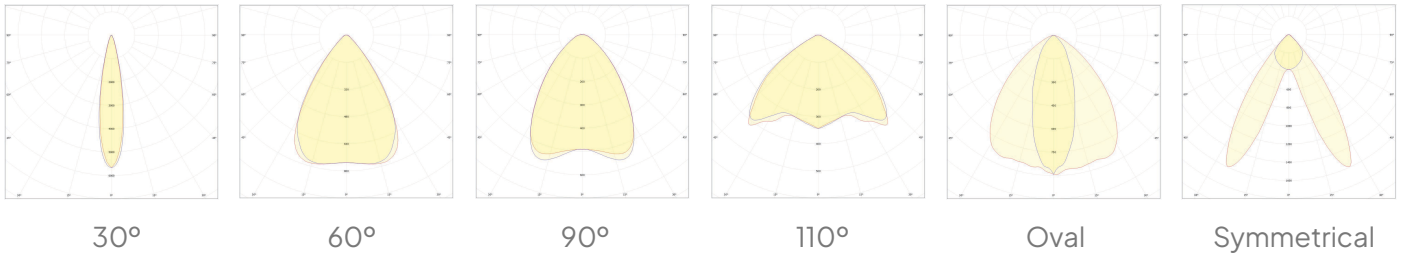
Power Supply:	207 - 253V AC 50 - 60Hz				
Operating Temperature Range: (Ta - Ambient)	- 20°C to 35°C				
Colour Rendering Index:	CRI 80+				
Dimming:	Dali_1-10V (On Request)				
Colour Consistency:	3-Step MacAdam				
Colour Temperature: (Kelvin / CCT)	<input checked="" type="radio"/> 3000K <input type="radio"/> 5000K <input type="radio"/> 4000K				
Beam Angle:	30° _ 60° _ 90° _ 110° _ Oval _ Symmetrical				
Installation Types:	<ul style="list-style-type: none"> • Surface • Suspension - Threaded rod 				
Ingress Protection:	IP20				
IK Rating:	IK06				
Luminaire Colour:	<input type="radio"/> White <input checked="" type="radio"/> Black <input type="radio"/> Custom Colours Available On Request				
Material:	Housing - Powder coated CNC punched and formed sheet metal Optics - Precision injection moulded PMMA (Acrylic) lens Mounting Brackets - Powder coated CNC punched and formed mild steel				
	Dimensions	Wattage (System)	CRI	Kelvin	Luminous Flux (Effective)
	1200mm x 84mm x 65mm	44W	80+	4000K	7236Lm*
	1200mm x 84mm x 65mm	64W	80+	4000K	10134Lm*
	1200mm x 84mm x 65mm	95W	80+	4000K	13788Lm*
	1500mm x 84mm x 65mm	54W	80+	4000K	9045Lm*
	1500mm x 84mm x 65mm	81W	80+	4000K	12667Lm*
	1500mm x 84mm x 65mm	118W	80+	4000K	17235Lm*
	1700mm x 84mm x 65mm	65W	80+	4000K	10854Lm*
	1700mm x 84mm x 65mm	97W	80+	4000K	15201Lm*
	1700mm x 84mm x 65mm	142W	80+	4000K	20682Lm*

*E & O.E (Errors And Omissions Excepted)

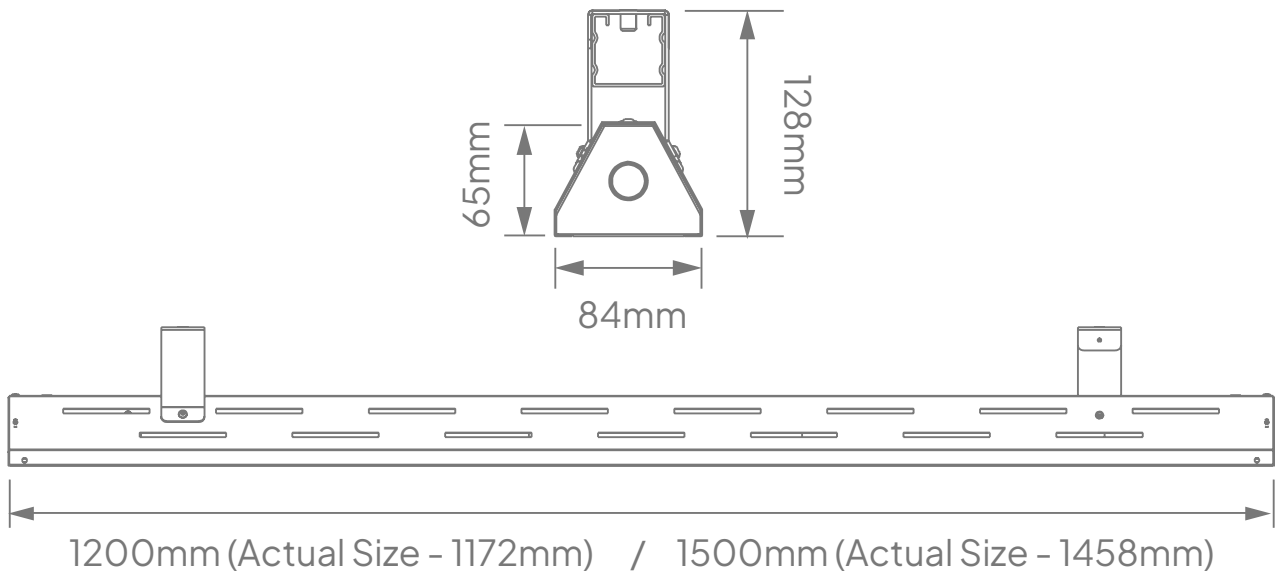
*Due to the rapid development in LED technology the performance values, power consumption and lumen output levels stated above are subject to change without prior notice.

*All lumen outputs stated above are based a nominal output that included a 10% light loss, this can vary depending on the optic used.

Light Distribution:



Dimensions:



*E & O.E (Errors And Omissions Excepted)

*Due to the rapid development in LED technology the performance values, power consumption and lumen output levels stated above are subject to change without prior notice.

*All lumen outputs stated above are based a nominal output that included a 10% light loss, this can vary depending on the optic used.

Contact

Cape Town

1B Hansen Close,
Richmond Park,
Cape Town
T. +27 21 555 0570

Durban

Unit L, Nandi Park,
34 Brickworks Way
Briardene
T. +27 31 001 2964

Namibia – Windhoek

Unit 2, Tesoro Building,
31 TV More Street
Windhoek
T. +264 61 40 0339

Johannesburg

17 Galaxy Road,
Unit 5A Galaxy Park,
Linbro Park
T. +27 11 262 5179

Port Elizabeth

216 Main Road,
Walmer
Port Elizabeth
T. +27 41 451 4359