

RUBICON
LIGHTING

ARGON





Features:

- Efficacy Of Up To 107lm/W*
- Various Diffuser Colours Available
- Minimum Lumen Maintenance: 50 000h (L70B30)

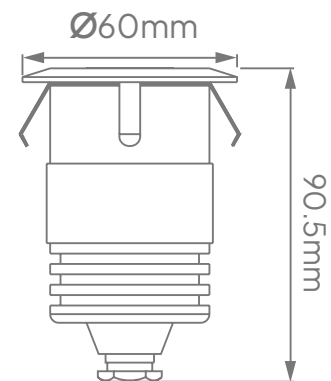


Power Supply:	220 - 240V AC 50 - 60Hz				
Colour Rendering Index:	CRI 80+				
Colour Consistency:	3-Step MacAdam				
Colour Temperature: (Kelvin / CCT)	● 3000K ● 4000K				
Installation Types:	Recessed Ground				
Ingress Protection:	IP67				
IK Rating:	IK10				
Diffuser Colours Available:	● Red ● Yellow ● Blue ● Green				
Material:	Body - High grade aluminium Diffuser - Tempered Glass				
	Dimensions	Wattage (System)	CRI	Kelvin	Luminous Flux (Effective)
	Ø60mm x 90.5mm	1W	80+	3000K	107Lm*
	Ø60mm x 90.5mm	1W	80+	4000K	107Lm*
	Ø60mm x 90.5mm	2W	80+	3000K	184Lm*
	Ø60mm x 90.5mm	2W	80+	4000K	184Lm*

Includes:



Dimensions:



*E & O.E (Errors And Omissions Excepted)

*Due to the rapid development in LED technology the performance values, power consumption and lumen output levels stated above are subject to change without prior notice.

*All lumen outputs stated above are based a nominal output that included a 10% light loss, this can vary depending on the optic used.

Contact

Cape Town

1B Hansen Close,
Richmond Park,
Cape Town
T. +27 21 555 0570

Durban

Unit L, Nandi Park,
34 Brickworks Way
Briardene
T. +27 31 001 2964

Namibia – Windhoek

Unit 2, Tesoro Building,
31 TV More Street
Windhoek
T. +264 61 40 0339

Johannesburg

17 Galaxy Road,
Unit 5A Galaxy Park,
Linbro Park
T. +27 11 262 5179

Port Elizabeth

216 Main Road,
Walmer
Port Elizabeth
T. +27 41 451 4359