

RUBICON
LIGHTING

ALVARO





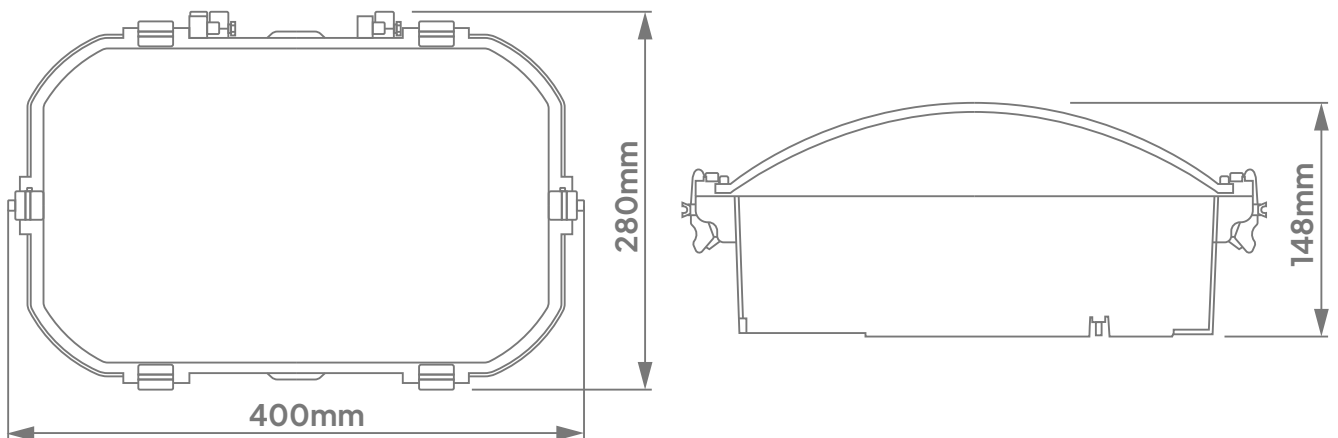
Features:

- Explosion Protection: Ex nA IIC T4 Gc
- Designed For Zones 2, 21 And 22 Hazardous Areas
- Emergency Back-Up Available (On Request)
- Minimum Lumen Maintenance: 50 000h (L70B10)



Power Supply:	220 - 240V AC 50 - 60Hz			
Colour Consistency:	4-Step MacAdam			
Colour Temperature: (Kelvin / CCT)	<input type="radio"/> 5000K			
Beam Angle:	110°			
Installation Types:	<ul style="list-style-type: none"> • Surface • Pole Mounted 			
Ingress Protection:	IP65			
IK Rating:	IK08			
Luminaire Colour:	<input checked="" type="radio"/> Grey			
Material:	Housing - Die-cast aluminium Cover - Clear armour plate glass			
	Dimensions	Wattage (System)	Kelvin	Luminous Flux (Effective)
	400mm x 280mm x 148mm	30W	5000K	2471Lm*

Dimensions:



*E & O.E (Errors And Omissions Excepted)

*Due to the rapid development in LED technology the performance values, power consumption and lumen output levels stated above are subject to change without prior notice.

*All lumen outputs stated above are based a nominal output that included a 10% light loss, this can vary depending on the optic used.

Contact

Cape Town

1B Hansen Close,
Richmond Park,
Cape Town
T. +27 21 555 0570

Durban

Unit L, Nandi Park,
34 Brickworks Way
Briardene
T. +27 31 001 2964

Namibia – Windhoek

Unit 2, Tesoro Building,
31 TV More Street
Windhoek
T. +264 61 40 0339

Johannesburg

17 Galaxy Road,
Unit 5A Galaxy Park,
Linbro Park
T. +27 11 262 5179

Port Elizabeth

216 Main Road,
Walmer
Port Elizabeth
T. +27 41 451 4359