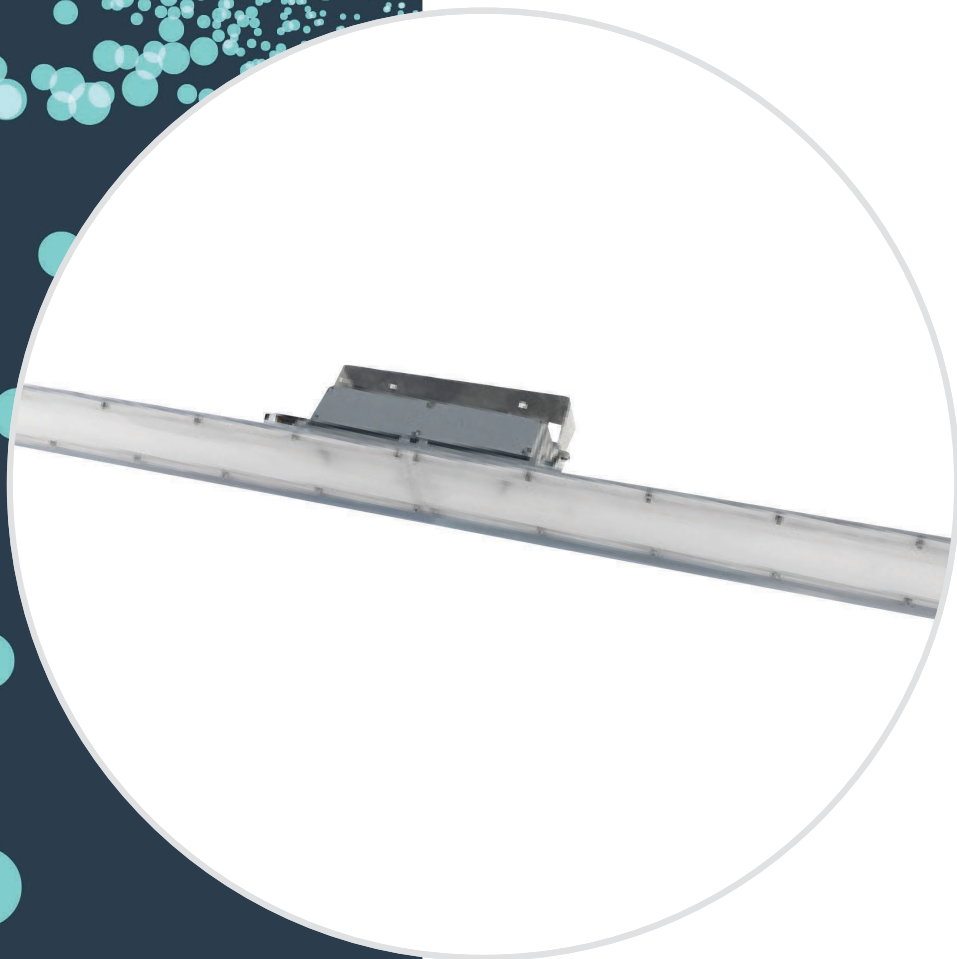


RUBICON
LIGHTING

AIMON





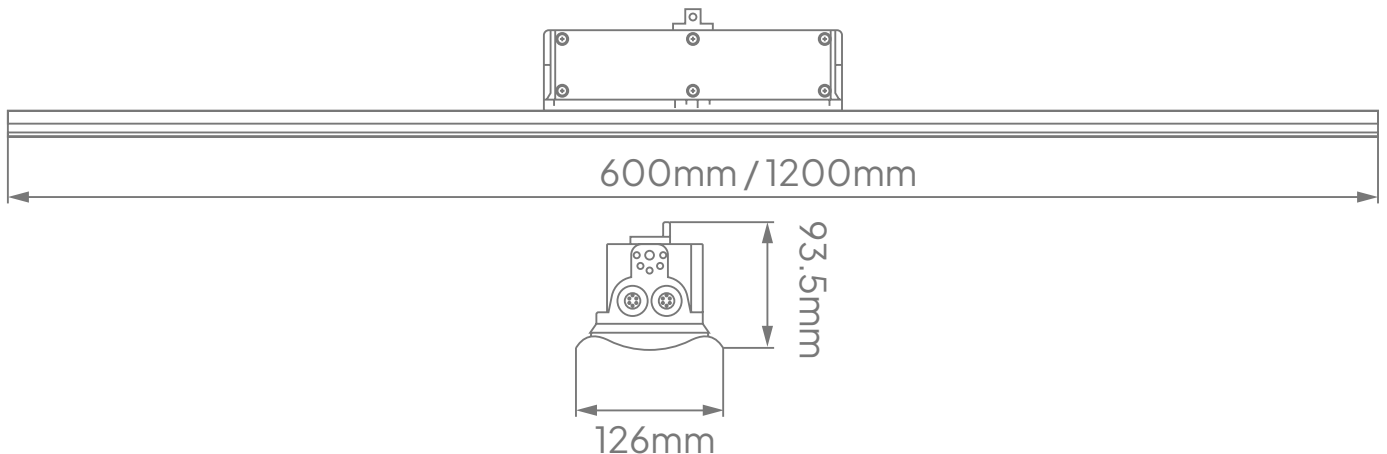
Features:

- Efficacy Of Up To 136lm/W*
- Designed For Zones 2 And 22 Hazardous Areas
- Explosion Protection: Ex Na IIC T6 Gc / Ex tc IIIC T85°C Dc/I
- Clear Or Frosted Diffuser
- Minimum Lumen Maintenance: 60 000h (L70B10)



Power Supply:	220 - 240V AC 50 - 60Hz				
Operating Temperature Range: (Ta - Ambient)	-20°C to 35°C				
Colour Rendering Index:	CRI 80+				
Colour Temperature: (Kelvin / CCT)	<input type="radio"/> 5000K				
Beam Angle:	120°				
Installation Types:	<input type="checkbox"/> Surface <input type="checkbox"/> Pole Mounted <input type="checkbox"/> Suspension				
Ingress Protection:	IP66				
IK Rating:	IK08				
Luminaire Colour:	<input checked="" type="radio"/> Grey				
Material:	Body - Die-cast aluminium Diffuser - Heat & impact resistant polycarbonate				
	Dimensions	Wattage (System)	CRI	Kelvin	Luminous Flux (Effective)
	600mm x 126mm x 93.5mm	38W	80+	5000K	5035Lm*
	1200mm x 126mm x 93.5mm	74W	80+	5000K	10097Lm*

Dimensions:



*E & O.E (Errors And Omissions Excepted)

*Due to the rapid development in LED technology the performance values, power consumption and lumen output levels stated above are subject to change without prior notice.

*All lumen outputs stated above are based a nominal output that included a 10% light loss, this can vary depending on the optic used.

Contact

Cape Town

1B Hansen Close,
Richmond Park,
Cape Town
T. +27 21 555 0570

Durban

Unit L, Nandi Park,
34 Brickworks Way
Briardene
T. +27 31 001 2964

Namibia – Windhoek

Unit 2, Tesoro Building,
31 TV More Street
Windhoek
T. +264 61 40 0339

Johannesburg

17 Galaxy Road,
Unit 5A Galaxy Park,
Linbro Park
T. +27 11 262 5179

Port Elizabeth

216 Main Road,
Walmer
Port Elizabeth
T. +27 41 451 4359