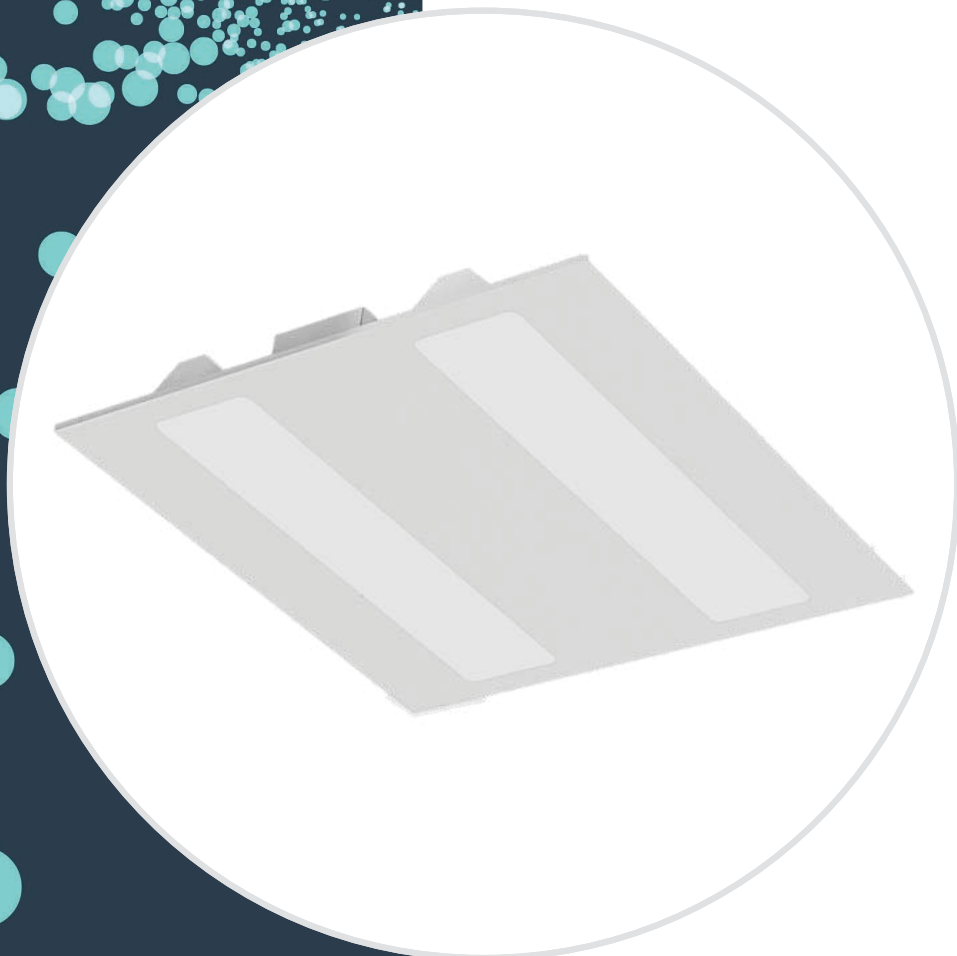
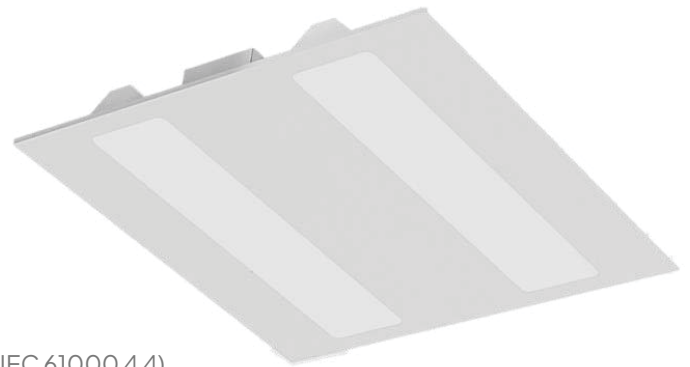


RUBICON
LIGHTING

AETHER FLAT





Features:

- Includes 3m Cabtyre + 5amp Plug Top
- Modular Design For Easy Servicing And Maintenance
- Emergency Backup Option Available (On Request)
- THD At Full Power: <10%
- Surge Protection - Primary (On board) 4 kV fast transient (IEC 61000 4 4)
- Minimum Lumen Maintenance: 50 000h (L80B10)

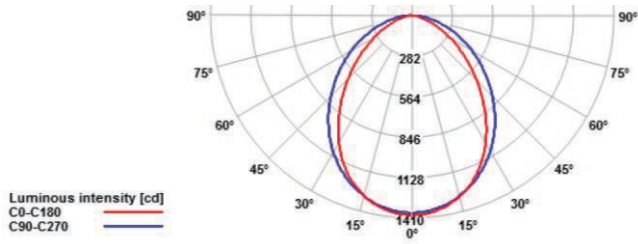
Power Supply:	207 - 253V AC 50 - 60Hz				
Operating Temperature Range: (Ta - Ambient)	- 20°C to 35°C				
Colour Rendering Index:	CRI 80+				
Dimming:	Dali_1-10V (On Request)				
Colour Consistency:	3-Step MacAdam				
Colour Temperature: (Kelvin / CCT)	<input type="radio"/> 4000K Optional CCT Changing Switch <input type="radio"/> 5000K <input type="radio"/> 2700K- <input type="radio"/> 6500K				
Beam Angle:	110°				
Installation Types:	Recessed Ceiling Grid Lay-In				
Ingress Protection:	IP20				
Diffuser Options:	<input type="checkbox"/> Frosted Micro Linear Diffuser <input type="checkbox"/> Lumieo Diffuser				
Luminaire Colour:	<input type="radio"/> Textured White <input type="radio"/> Gloss White				
Material:	Housing - Powder coated CNC punched and formed sheet metal Diffuser - High light transmission extruded PMMA (Acrylic) diffuser				
	Dimensions	Wattage (System)	CRI	Kelvin	Luminous Flux (Effective)
	595mm x 595mm x 76mm	27W	80+	4000K	2893Lm*
	595mm x 595mm x 76mm	38W	80+	4000K	3834Lm*
	1195mm x 595mm x 76mm	53W	80+	4000K	5786Lm*
	1195mm x 595mm x 76mm	76W	80+	4000K	7668Lm*

*E & O.E (Errors And Omissions Excepted)

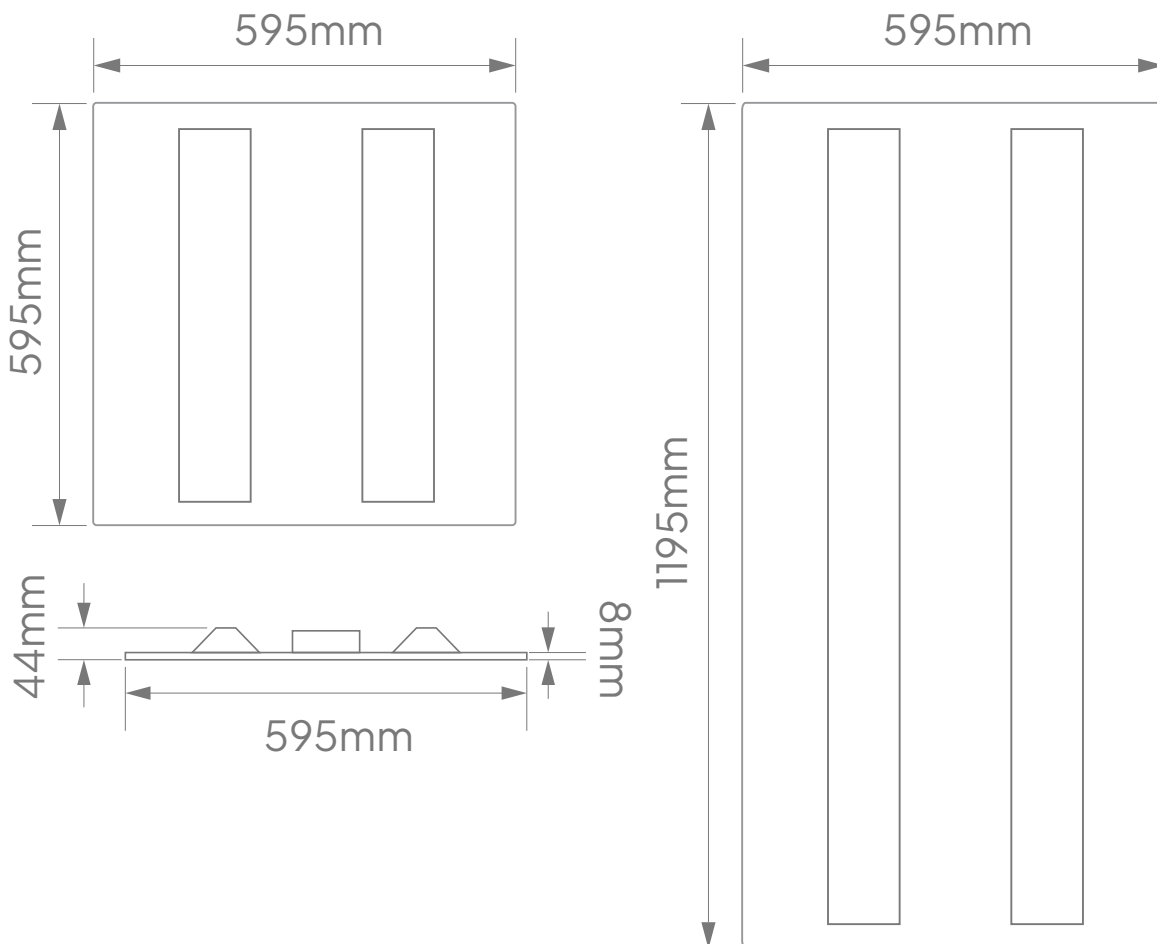
*Due to the rapid development in LED technology the performance values, power consumption and lumen output levels stated above are subject to change without prior notice.

*All lumen outputs stated above are based a nominal output that included a 10% light loss, this can vary depending on the optic used.

Light Distribution:



Dimensions:



*E & O.E (Errors And Omissions Excepted)

*Due to the rapid development in LED technology the performance values, power consumption and lumen output levels stated above are subject to change without prior notice.

*All lumen outputs stated above are based a nominal output that included a 10% light loss, this can vary depending on the optic used.

Contact

Cape Town

1B Hansen Close,
Richmond Park,
Cape Town
T. +27 21 555 0570

Durban

Unit L, Nandi Park,
34 Brickworks Way
Briardene
T. +27 31 001 2964

Namibia – Windhoek

Unit 2, Tesoro Building,
31 TV More Street
Windhoek
T. +264 61 40 0339

Johannesburg

17 Galaxy Road,
Unit 5A Galaxy Park,
Linbro Park
T. +27 11 262 5179

Port Elizabeth

216 Main Road,
Walmer
Port Elizabeth
T. +27 41 451 4359