

**RUBICON**  
LIGHTING

**AETHER**





**Features:**

- Includes 3m Cabtyre + 5amp Plug Top
- Modular Design For Easy Servicing And Maintenance
- Emergency Backup Option Available (On Request)
- THD At Full Power: <10%
- Surge Protection - Primary (On board) 4 kV fast transient (IEC 61000 4 4)
- Minimum Lumen Maintenance: 50 000h (L80B10)



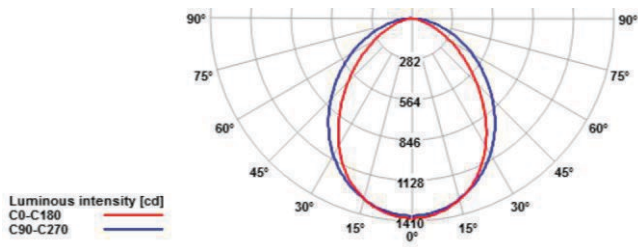
<b>Power Supply:</b>	207 - 253V AC   50 - 60Hz				
<b>Operating Temperature Range:</b> (Ta - Ambient)	- 20°C to 35°C				
<b>Colour Rendering Index:</b>	CRI 80+				
<b>Dimming:</b>	Dali_1-10V (On Request)				
<b>Colour Consistency:</b>	3-Step MacAdam				
<b>Colour Temperature:</b> (Kelvin / CCT)	<input type="radio"/> 4000K      Optional CCT Changing Switch <input type="radio"/> 5000K <input type="radio"/> 2700K- <input type="radio"/> 6500K				
<b>Beam Angle:</b>	110°				
<b>Installation Types:</b>	Recessed Ceiling Grid Lay-In				
<b>Ingress Protection:</b>	IP20				
<b>Diffuser Options:</b>	<input type="checkbox"/> Frosted Micro Linear Diffuser <input type="checkbox"/> Lumieo Diffuser				
<b>Luminaire Colour:</b>	<input type="radio"/> Textured White <input type="radio"/> Gloss White				
<b>Material:</b>	Housing - Powder coated CNC punched and formed sheet metal Diffuser - High light transmission extruded PMMA (Acrylic) diffuser				
	<b>Dimensions</b>	<b>Wattage (System)</b>	<b>CRI</b>	<b>Kelvin</b>	<b>Luminous Flux (Effective)</b>
	575mm x 575mm x 76mm	27W	80+	4000K	2893Lm*
	575mm x 575mm x 76mm	38W	80+	4000K	3834Lm*
	600mm x 600mm x 76mm	27W	80+	4000K	2893Lm*
	600mm x 600mm x 76mm	38W	80+	4000K	3834Lm*
	1200mm x 600mm x 76mm	53W	80+	4000K	5786Lm*
	1200mm x 600mm x 76mm	76W	80+	4000K	7668Lm*

\*E & O.E (Errors And Omissions Excepted)

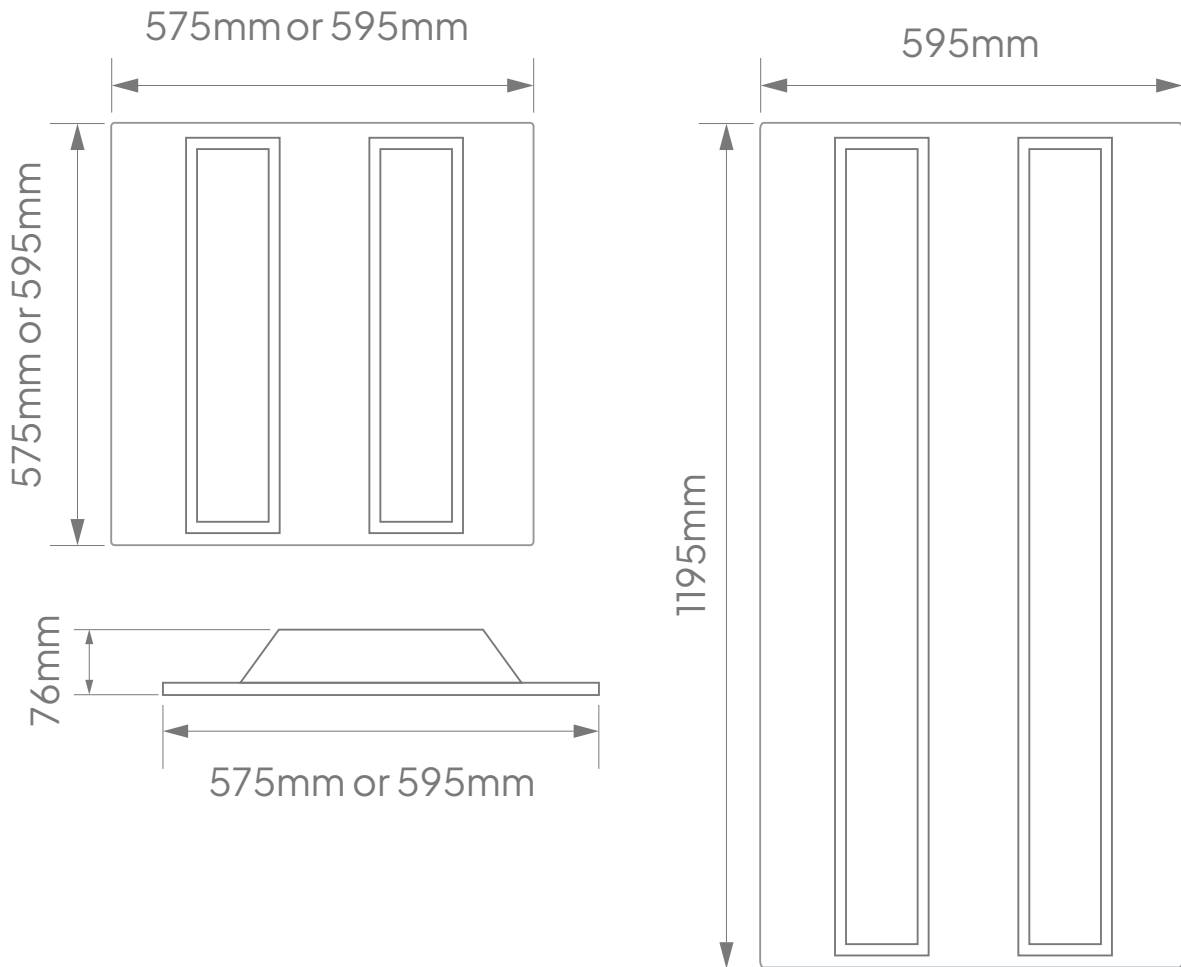
\*Due to the rapid development in LED technology the performance values, power consumption and lumen output levels stated above are subject to change without prior notice.

\*All lumen outputs stated above are based a nominal output that included a 10% light loss, this can vary depending on the optic used.

**Light Distribution:**



**Dimensions:**



\*E & O.E (Errors And Omissions Excepted)

\*Due to the rapid development in LED technology the performance values, power consumption and lumen output levels stated above are subject to change without prior notice.

\*All lumen outputs stated above are based a nominal output that included a 10% light loss, this can vary depending on the optic used.

# Contact

## Cape Town

1B Hansen Close,  
Richmond Park,  
Cape Town  
T. +27 21 555 0570

## Durban

Unit L, Nandi Park,  
34 Brickworks Way  
Briardene  
T. +27 31 001 2964

## Namibia – Windhoek

Unit 2, Tesoro Building,  
31 TV More Street  
Windhoek  
T. +264 61 40 0339

## Johannesburg

17 Galaxy Road,  
Unit 5A Galaxy Park,  
Linbro Park  
T. +27 11 262 5179

## Port Elizabeth

216 Main Road,  
Walmer  
Port Elizabeth  
T. +27 41 451 4359