

RUBICON
LIGHTING

AEMELIA





Features:

- Die-Cast Housing As Heatsink
- Passive Cooling
- Easy Installation
- Minimum Lumen Maintenance: 50 000h (L70B10)



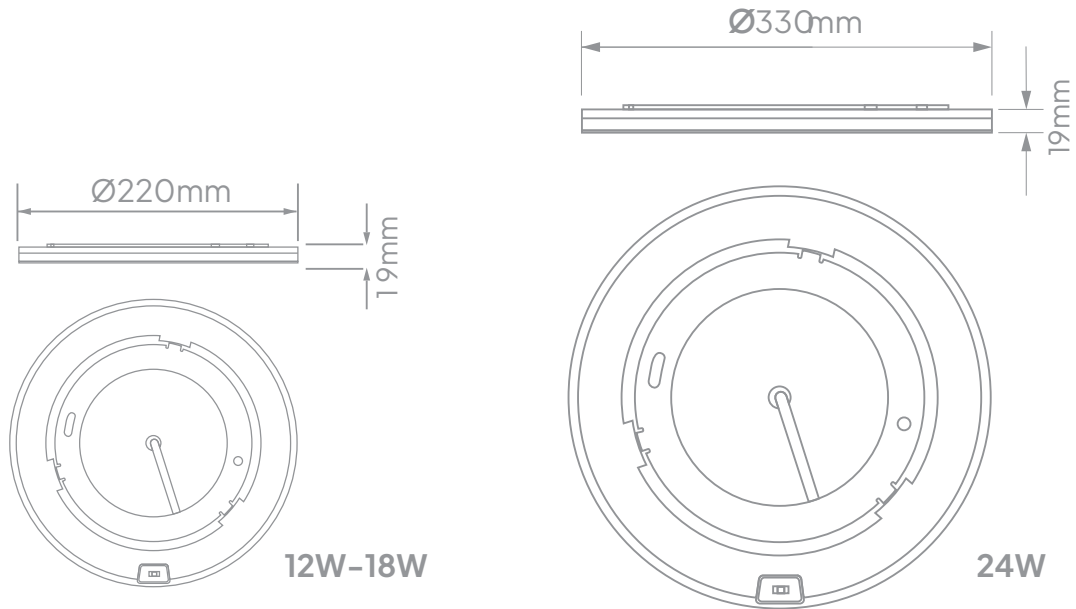
Power Supply:	220 - 240V AC 50 - 60Hz				
Operating Temperature Range: (Ta - Ambient)	- 20°C to 35°C				
Dimming:	Dali_1-10V (On Request)				
Colour Rendering Index:	CRI 80+				
Colour Consistency:	3-Step MacAdam				
Colour Temperature: (Kelvin / CCT)	<input checked="" type="radio"/> 3000K <input type="radio"/> 5000K <input type="radio"/> 4000K				
Beam Angle:	120°				
Installation Type:	Surface				
Ingress Protection:	IP44				
Luminaire Colour:	<input checked="" type="radio"/> White				
Material:	Housing - Powder coated aluminium				
	Dimensions	Wattage (System)	CRI	Kelvin	Luminous Flux (Effective)
	Ø220mm x 19mm	12W	80+	4000K	960Lm*
	Ø220mm x 19mm	18W	80+	4000K	1400Lm*
	Ø220mm x 19mm	24W	80+	4000K	1920Lm*

*E & O.E (Errors And Omissions Excepted)

*Due to the rapid development in LED technology the performance values, power consumption and lumen output levels stated above are subject to change without prior notice.

*All lumen outputs stated above are based a nominal output that included a 10% light loss, this can vary depending on the optic used.

Dimensions:



*E & O.E (Errors And Omissions Excepted)

*Due to the rapid development in LED technology the performance values, power consumption and lumen output levels stated above are subject to change without prior notice.

*All lumen outputs stated above are based a nominal output that included a 10% light loss, this can vary depending on the optic used.

Contact

Cape Town

1B Hansen Close,
Richmond Park,
Cape Town
T. +27 21 555 0570

Durban

Unit L, Nandi Park,
34 Brickworks Way
Briardene
T. +27 31 001 2964

Namibia – Windhoek

Unit 2, Tesoro Building,
31 TV More Street
Windhoek
T. +264 61 40 0339

Johannesburg

17 Galaxy Road,
Unit 5A Galaxy Park,
Linbro Park
T. +27 11 262 5179

Port Elizabeth

216 Main Road,
Walmer
Port Elizabeth
T. +27 41 451 4359