

**LED - Plug & Play**

**RUBICON**  
LIGHTING







# Contents

06 Quality Advantages

07 Plug & Play

18 LED Linear Strips

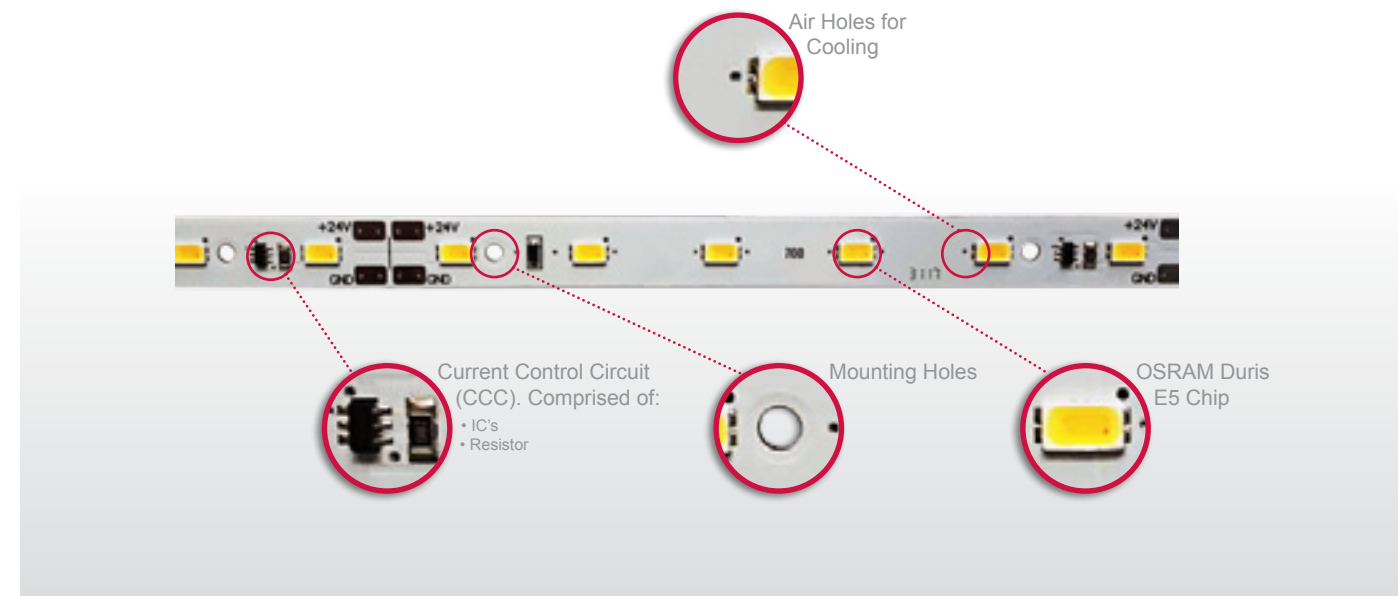
27 Neon Flex

[continued on next page](#)

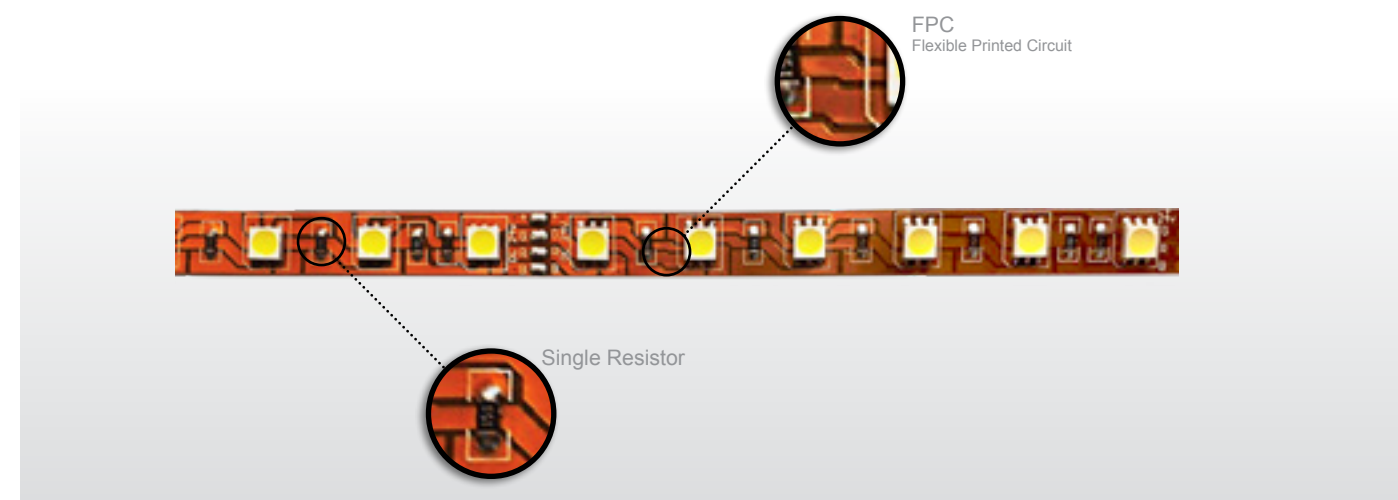
30 LED Profiles



Rubicon Lighting Quality LED Strip



Low Quality Imported LED Strip



Plug & Play

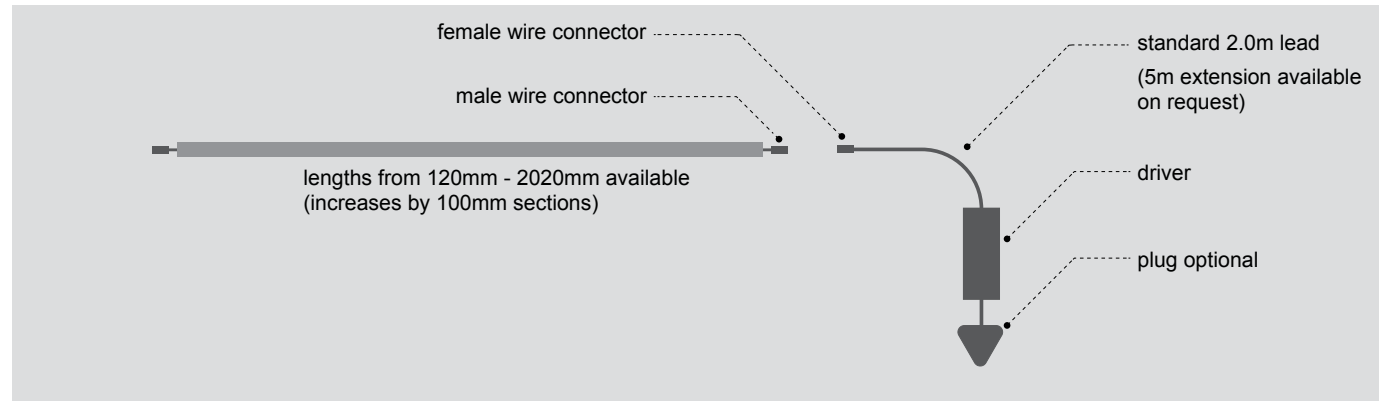
07



## Plug & Play



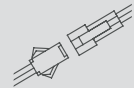
## Light Frame Fitting Size Options



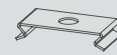
## Standard Components

All LED fittings consist of opal diffuser and end caps. See below for more details:

1. Standard component: Wire connectors



2. Standard component: Steel mounting clips

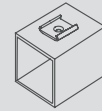


## Accessories

1. Accessory: Rotating clip with terry clip (for directional lighting)



2. Accessory: Bulkhead spacer (lifts strip inside a deep bulkhead)



3. Accessory: Double sided tape



## Plug & Play - Light Frame 5



### FEATURES:

- Anodised aluminium
- Smallest, lowest price profile and diffuser in the range
- Intended for low and medium output LED strip
- Suited for small coves, under counter lights and cabinetry
- Flexibility to fit curved features in shop fitting
- Metal clips or VHB (double-sided tape) fixings for any surface
- Lengths available from 120mm-3020mm in increments of 100mm

\*Lumen values based on 4000K

\*\*RGB, RGBW, Tunable White and Dim to Warm available on request



### Standard Components

Flat Mounting Clips



Connector Clips

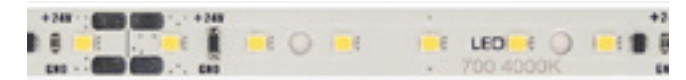


### Accessories (Order separately)

Rotary Clip with Terry



Double Sided Tape



### LF5 1200 Linear Strip (240 LED/m)

Lumens (Lm/m)	Wattage (W/m)	Voltage	Length	LED-Modules
1200	9.6W	24V	7 metres in two directions (14m total)	CRI 80+

Ordering example: Light Frame Type/Linear Strip/Colour Temperature/Extrusion Length/LED (e.g. LF5/1200/3000K/220/240)

LED Strip (Lumens)	Color Temperature	Fitting Length (mm)
1200	3000K / 4000K	120mm-3020mm

### LF5 1200 Linear Strip (240 LED/m) IP Rated



Lumens (Lm/m)	Wattage (W/m)	Voltage	Length	LED-Modules
1200	9.6W	24V	7 metres in two directions (14m total)	CRI 80+

Ordering example: Light Frame Type/Linear Strip/Colour Temperature/Extrusion Length/LED (e.g. LF5/1200/3000K/220/240)

LED Strip (Lumens)	Color Temperature	Fitting Length (mm)
1200	3000K / 4000K	120mm-3020mm

### LF5 1200 Linear Strip (70 LED/m)



Lumens (Lm/m)	Wattage (W/m)	Voltage	Length	LED-Modules
1200	9.6W	24V	7 metres in two directions (14m total)	CRI 80+

Ordering example: Light Frame Type/Linear Strip/Colour Temperature/Extrusion Length/LED (e.g. LF5/1200/3000K/220/240)

LED Strip (Lumens)	Color Temperature	Fitting Length (mm)
1200	3000K / 4000K	120mm-3020mm

### LF5 1000 Linear Strip (70 LED/m)



Lumens (Lm/m)	Wattage (W/m)	Voltage	Length	LED-Modules
1087	9.6W	24V	8 metres in two directions (16m total)	CRI 80+

Ordering example: Light Frame Type/Linear Strip/Colour Temperature/Extrusion Length/LED (e.g. LF5/1000/3000K/220/240)

LED Strip (Lumens)	Color Temperature	Fitting Length (mm)
1087	3000K / 4000K	120mm-3020mm

### LF5 600 Linear Strip (70 LED/m)



Lumens (Lm/m)	Wattage (W/m)	Voltage	Length	LED-Modules
648	4.8W	24V	10 metres in two directions (20m total)	CRI 80+

Ordering example: Light Frame Type/Linear Strip/Colour Temperature/Extrusion Length/LED (e.g. LF5/600/3000K/220/240)

LED Strip (Lumens)	Color Temperature	Fitting Length (mm)
648	3000K / 4000K	120mm-3020mm



## Plug & Play - Light Frame 5 Tab



- Anodised aluminium
- LF5 profile with a tab on the side for easy fixing
- Tab provided additional cooling for longer LED life
- Suited for coves, under counter lights and cabinetry
- Flexibility to fit curved features in shop fitting
- Simple fixing by drilling hole through tab at required positions
- Lengths available from 120mm-3020mm in increments of 100mm



### Standard Component



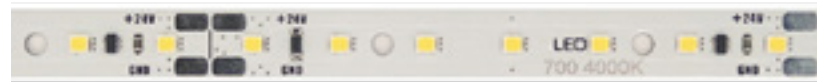
### Accessories (Order separately)



\*Lumen values based on 4000K

\*\*RGB, RGBW, Tunable White and Dim to Warm available on request

### LF5T 3000 Linear Strip (70 LED/m)



Lumens (Lm/m)	Wattage (W/m)	Voltage	Length	LED-Modules
3080	25.2W	24V	3 metres in two directions (6m total)	CRI 80+

Ordering example: Light Frame Type/Linear Strip/Colour Temperature/Extrusion Length/LED (e.g. LF5T/3000/3000K/220/70)

LED Strip (Lumens)	Color Temperature	Fitting Length (mm)
3080	3000K / 3500K / 4000K	120mm-3020mm

### LF5T 2250 Linear Strip (240 LED/m)

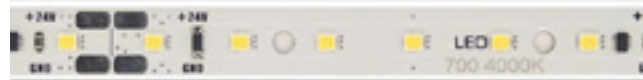


Lumens (Lm/m)	Wattage (W/m)	Voltage	Length	LED-Modules
2280	18.5W	24V	4 metres in two directions (8m total)	CRI 80+

Ordering example: Light Frame Type/Linear Strip/Colour Temperature/Extrusion Length/LED (e.g. LF5T/2250/3000K/220/240)

LED Strip (Lumens)	Color Temperature	Fitting Length (mm)
2280	3000K / 4000K	120mm-3020mm

### LF5T 2000 Linear Strip (240 LED/m)



Lumens (Lm/m)	Wattage (W/m)	Voltage	Length	LED-Modules
2112	19.2W	24V	5 metres in two directions (10m total)	CRI 80+

Ordering example: Light Frame Type/Linear Strip/Colour Temperature/Extrusion Length/LED (e.g. LF5T/2000/3000K/220/240)

LED Strip (Lumens)	Color Temperature	Fitting Length (mm)
2112	3000K / 4000K	120mm-3020mm

### LF5T 1700 Linear Strip (70 LED/m)



Lumens (Lm/m)	Wattage (W/m)	Voltage	Length	LED-Modules
1728	14W	24V	6 metres in two directions (12m total)	CRI 80+

Ordering example: Light Frame Type/Linear Strip/Colour Temperature/Extrusion Length/LED (e.g. LF5T/1700/3000K/220/70)

LED Strip (Lumens)	Color Temperature	Fitting Length (mm)
1728	3000K / 4000K	120mm-3020mm

### LF5T 1200 Linear Strip (240 LED/m)



Lumens (Lm/m)	Wattage (W/m)	Voltage	Length	LED-Modules
1200	9.6W	24V	7 metres in two directions (14m total)	CRI 80+

Ordering example: Light Frame Type/Linear Strip/Colour Temperature/Extrusion Length/LED (e.g. LF5T/1200/3000K/220/240)

LED Strip (Lumens)	Color Temperature	Fitting Length (mm)
1200	3000K / 4000K	120mm-3020mm

### LF5T 1200 Linear Strip (240 LED/m) IP Rated



Lumens (Lm/m)	Wattage (W/m)	Voltage	Length	LED-Modules
1200	9.6W	24V	7 metres in two directions (14m total)	CRI 80+

Ordering example: Light Frame Type/Linear Strip/Colour Temperature/Extrusion Length/LED (e.g. LF5T/1200/3000K/220/240)

LED Strip (Lumens)	Color Temperature	Fitting Length (mm)
1200	3000K / 4000K	120mm-3020mm

### LF5T 1200 Linear Strip (70 LED/m)



Lumens (Lm/m)	Wattage (W/m)	Voltage	Length	LED-Modules
1200	9.6W	24V	7 metres in two directions (14m total)	CRI 80+

Ordering example: Light Frame Type/Linear Strip/Colour Temperature/Extrusion Length/LED (e.g. LF5T/1200/3000K/220/70)

LED Strip (Lumens)	Color Temperature	Fitting Length (mm)
1200	3000K / 4000K	120mm-3020mm

### LF5T 1000 Linear Strip (70 LED/m)



Lumens (Lm/m)	Wattage (W/m)	Voltage	Length	LED-Modules
1087	9.6W	24V	8 metres in two directions (16m total)	CRI 80+

Ordering example: Light Frame Type/Linear Strip/Colour Temperature/Extrusion Length/LED (e.g. LF5T/1000/3000K/220/70)

LED Strip (Lumens)	Color Temperature	Fitting Length (mm)
1087	3000K / 4000K	120mm-3020mm

### LF5T 600 Linear Strip (70 LED/m)



Lumens (Lm/m)	Wattage (W/m)	Voltage	Length	LED-Modules
648	4.8W	24V	10 metres in two directions (20m total)	CRI 80+

Ordering example: Light Frame Type/Linear Strip/Colour Temperature/Extrusion Length/LED (e.g. LF5T/600/3000K/220/70)

LED Strip (Lumens)	Color Temperature	Fitting Length (mm)
648	3000K / 4000K	120mm-3020mm





## Plug & Play - Light Frame 45



- Anodised aluminium
- Small dimensions with 45 degree frame to fit into corners of cabinetry
- Intended for low and medium output LED strip
- Suited for shop fitting and cabinetry
- Screw or VHB (double-sided tape) fixing
- Lengths available from 120mm-3020mm in increments of 100mm

### Standard Component



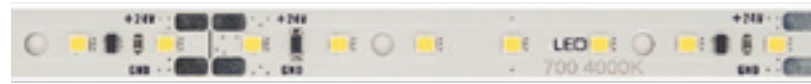
### Accessories (Order separately)



\*Lumen values based on 4000K

\*\*RGB, RGBW, Tunable White and Dim to Warm available on request

### LF45 1200 Linear Strip (240 LED/m)



Lumens (Lm/m)	Wattage (W/m)	Voltage	Length	LED-Modules
1200	9.6W	24V	7 metres in two directions (14m total)	CRI 80+

Ordering example: Light Frame Type/Linear Strip/Colour Temperature/Extrusion Length/LED (e.g. LF45/1200/3000K/220/70)

LED Strip (Lumens)	Color Temperature	Fitting Length (mm)
1200	3000K / 4000K	120mm-3020mm

### LF45 1200 Linear Strip (240 LED/m) IP Rated



Lumens (Lm/m)	Wattage (W/m)	Voltage	Length	LED-Modules
1200	9.6W	24V	7 metres in two directions (14m total)	CRI 80+

Ordering example: Light Frame Type/Linear Strip/Colour Temperature/Extrusion Length/LED (e.g. LF45/1200/3000K/220/240)

LED Strip (Lumens)	Color Temperature	Fitting Length (mm)
1200	3000K / 4000K	120mm-3020mm

### LF45 1200 Linear Strip (70 LED/m)



Lumens (Lm/m)	Wattage (W/m)	Voltage	Length	LED-Modules
1200	9.6W	24V	7 metres in two directions (14m total)	CRI 80+

Ordering example: Light Frame Type/Linear Strip/Colour Temperature/Extrusion Length/LED (e.g. LF45/1200/3000K/220/70)

LED Strip (Lumens)	Color Temperature	Fitting Length (mm)
1200	3000K / 4000K	120mm-3020mm

### LF45 1000 Linear Strip (70 LED/m)



Lumens (Lm/m)	Wattage (W/m)	Voltage	Length	LED-Modules
1087	9.6W	24V	8 metres in two directions (16m total)	CRI 80+

Ordering example: Light Frame Type/Linear Strip/Colour Temperature/Extrusion Length/LED (e.g. LF45/1000/3000K/220/70)

LED Strip (Lumens)	Color Temperature	Fitting Length (mm)
1087	3000K / 4000K	120mm-3020mm

### LF45 600 Linear Strip (70 LED/m)



Lumens (Lm/m)	Wattage (W/m)	Voltage	Length	LED-Modules
648	4.8W	24V	10 metres in two directions (20m total)	CRI 80+

Ordering example: Light Frame Type/Linear Strip/Colour Temperature/Extrusion Length/LED (e.g. LF45/600/3000K/220/70)

LED Strip (Lumens)	Color Temperature	Fitting Length (mm)
648	3000K / 4000K	120mm-3020mm



## Plug & Play - Light Frame 45 Tab



- Anodised aluminium
- Best design for cove lighting
- 45 degree angle provides optimal light wash on ceiling from coves
- LF45 profile with a tab on the side for easy fixing
- Tab provided additional cooling for longer LED life
- Simple fixing by drilling hole through tab at required positions
- Lengths available from 120mm-3020mm in increments of 100mm



Standard Component

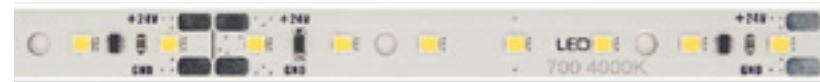
Accessories (Order separately)



\*Lumen values based on 4000K

\*\*RGB, RGBW, Tunable White and Dim to Warm available on request

### LF45T 3000 Linear Strip (70 LED/m)



Lumens (Lm/m)	Wattage (W/m)	Voltage	Length	LED-Modules
1200	9.6W	24V	7 metres in two directions (14m total)	CRI 80+

Ordering example: Light Frame Type/Linear Strip/Colour Temperature/Extrusion Length/LED (e.g. LF45T/3000/3000K/220/70)

LED Strip (Lumens)	Color Temperature	Fitting Length (mm)
1200	3000K / 4000K	120mm-3020mm

### LF45T 2250 Linear Strip (70 LED/m)

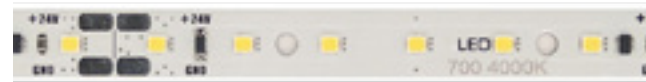


Lumens (Lm/m)	Wattage (W/m)	Voltage	Length	LED-Modules
2280	18.5W	24V	4 metres in two directions (8m total)	CRI 80+

Ordering example: Light Frame Type/Linear Strip/Colour Temperature/Extrusion Length/LED (e.g. LF45T/2250/3000K/220/70)

LED Strip (Lumens)	Color Temperature	Fitting Length (mm)
2280	3000K / 4000K	120mm-3020mm

### LF45T 2000 Linear Strip (240 LED/m)

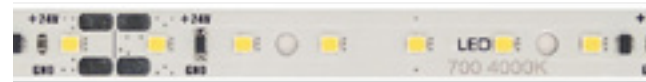


Lumens (Lm/m)	Wattage (W/m)	Voltage	Length	LED-Modules
2112	19.2W	24V	5 metres in two directions (10m total)	CRI 80+

Ordering example: Light Frame Type/Linear Strip/Colour Temperature/Extrusion Length/LED (e.g. LF45T/2000/3000K/220/240)

LED Strip (Lumens)	Color Temperature	Fitting Length (mm)
2112	3000K / 4000K	120mm-3020mm

### LF45T 1700 Linear Strip (70 LED/m)



Lumens (Lm/m)	Wattage (W/m)	Voltage	Length	LED-Modules
1728	14W	24V	6 metres in two directions (12m total)	CRI 80+

Ordering example: Light Frame Type/Linear Strip/Colour Temperature/Extrusion Length/LED (e.g. LF45T/1700/3000K/220/70)

LED Strip (Lumens)	Color Temperature	Fitting Length (mm)
1728	3000K / 4000K	120mm-3020mm

### LF45T 1200 Linear Strip (240 LED/m)



Lumens (Lm/m)	Wattage (W/m)	Voltage	Length	LED-Modules
1200	9.6W	24V	7 metres in two directions (14m total)	CRI 80+

Ordering example: Light Frame Type/Linear Strip/Colour Temperature/Extrusion Length/LED (e.g. LF45T/1200/3000K/220/240)

LED Strip (Lumens)	Color Temperature	Fitting Length (mm)
1200	3000K / 4000K	120mm-3020mm

### LF45T 1200 Linear Strip (240 LED/m) IP Rated

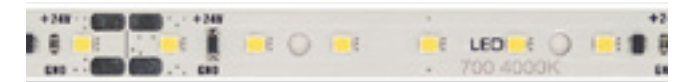


Lumens (Lm/m)	Wattage (W/m)	Voltage	Length	LED-Modules
1200	9.6W	24V	7 metres in two directions (14m total)	CRI 80+

Ordering example: Light Frame Type/Linear Strip/Colour Temperature/Extrusion Length/LED (e.g. LF45T/1200/3000K/220/240)

LED Strip (Lumens)	Color Temperature	Fitting Length (mm)
1200	3000K / 4000K	120mm-3020mm

### LF45T 1200 Linear Strip (70 LED/m)



Lumens (Lm/m)	Wattage (W/m)	Voltage	Length	LED-Modules
1200	9.6W	24V	7 metres in two directions (14m total)	CRI 80+

Ordering example: Light Frame Type/Linear Strip/Colour Temperature/Extrusion Length/LED (e.g. LF45T/1200/3000K/220/70)

LED Strip (Lumens)	Color Temperature	Fitting Length (mm)
1200	3000K / 4000K	120mm-3020mm

### LF45T 1000 Linear Strip (70 LED/m)



Lumens (Lm/m)	Wattage (W/m)	Voltage	Length	LED-Modules
1087	9.6W	24V	8 metres in two directions (16m total)	CRI 80+

Ordering example: Light Frame Type/Linear Strip/Colour Temperature/Extrusion Length/LED (e.g. LF45T/1000/3000K/220/70)

LED Strip (Lumens)	Color Temperature	Fitting Length (mm)
1087	3000K / 4000K	120mm-3020mm

### LF45T 600 Linear Strip (70 LED/m)



Lumens (Lm/m)	Wattage (W/m)	Voltage	Length	LED-Modules
648	4.8W	24V	10 metres in two directions (20m total)	CRI 80+

Ordering example: Light Frame Type/Linear Strip/Colour Temperature/Extrusion Length/LED (e.g. LF45T/600/3000K/220/70)

LED Strip (Lumens)	Color Temperature	Fitting Length (mm)
648	3000K / 4000K	120mm-3020mm





## Plug & Play - Light Frame 5 High Power



- Anodised aluminium
- Multi-use design in a compact, rigid profile
- Used for primary lighting covers, external facades and supermarket aisle lighting
- Fixing by metal clip or terry clip
- Terry clip fixing allows it to be directional
- Can be suspended for minimal linear design
- Lengths available from 120mm-3020mm in increments of 100mm

\*Lumen values based on 4000K

\*\*RGB, RGBW, Tunable White and Dim to Warm available on request

### Standard Components



### Accessories (Order separately)



### LF5HP 3000 Linear Strip (70 LED/m)

Lumens (Lm/m)	Wattage (W/m)	Voltage	Length	LED-Modules
3080	25.2W	24V	3 metres in two directions (6m total)	CRI 80+

Ordering example: Light Frame Type/Linear Strip/Colour Temperature/Extrusion Length/LED (e.g. LF5HP/3000/3000K/220/70)

LED Strip (Lumens)	Color Temperature	Fitting Length (mm)
3080	3000K / 3500K / 4000K	120mm-3020mm

### LF5HP 2250 Linear Strip (70 LED/m)

Lumens (Lm/m)	Wattage (W/m)	Voltage	Length	LED-Modules
2280	18.5W	24V	4 metres in two directions (8m total)	CRI 80+

Ordering example: Light Frame Type/Linear Strip/Colour Temperature/Extrusion Length/LED (e.g. LF5HP/2250/3000K/220/70)

LED Strip (Lumens)	Color Temperature	Fitting Length (mm)
2280	3000K / 4000K	120mm-3020mm

### LF5HP 2000 Linear Strip (240 LED/m)

Lumens (Lm/m)	Wattage (W/m)	Voltage	Length	LED-Modules
2112	19.2W	24V	5 metres in two directions (10m total)	CRI 80+

Ordering example: Light Frame Type/Linear Strip/Colour Temperature/Extrusion Length/LED (e.g. LF5HP/2000/3000K/220/240)

LED Strip (Lumens)	Color Temperature	Fitting Length (mm)
2112	3000K / 4000K	120mm-3020mm

### LF5HP 1700 Linear Strip (70 LED/m)

Lumens (Lm/m)	Wattage (W/m)	Voltage	Length	LED-Modules
1728	14W	24V	6 metres in two directions (12m total)	CRI 80+

Ordering example: Light Frame Type/Linear Strip/Colour Temperature/Extrusion Length/LED (e.g. LF5HP/1700/3000K/220/70)

LED Strip (Lumens)	Color Temperature	Fitting Length (mm)
1728	3000K / 4000K	120mm-3020mm

### LF5HP 1200 Linear Strip (240 LED/m)

Lumens (Lm/m)	Wattage (W/m)	Voltage	Length	LED-Modules
1200	9.6W	24V	7 metres in two directions (14m total)	CRI 80+

Ordering example: Light Frame Type/Linear Strip/Colour Temperature/Extrusion Length/LED (e.g. LF5HP/1200/3000K/220/240)

LED Strip (Lumens)	Color Temperature	Fitting Length (mm)
1200	3000K / 4000K	120mm-3020mm

### LF5HP 1200 Linear Strip (240 LED/m) IP Rated



Lumens (Lm/m)	Wattage (W/m)	Voltage	Length	LED-Modules
1200	9.6W	24V	7 metres in two directions (14m total)	CRI 80+

Ordering example: Light Frame Type/Linear Strip/Colour Temperature/Extrusion Length/LED (e.g. LF5HP/1200/3000K/220/240)

LED Strip (Lumens)	Color Temperature	Fitting Length (mm)
1200	3000K / 4000K	120mm-3020mm

### LF5HP 1200 Linear Strip (70 LED/m)



Lumens (Lm/m)	Wattage (W/m)	Voltage	Length	LED-Modules
1200	9.6W	24V	7 metres in two directions (14m total)	CRI 80+

Ordering example: Light Frame Type/Linear Strip/Colour Temperature/Extrusion Length/LED (e.g. LF5HP/1200/3000K/220/70)

LED Strip (Lumens)	Color Temperature	Fitting Length (mm)
1200	3000K / 4000K	120mm-3020mm

### LF5HP 1000 Linear Strip (70 LED/m)



Lumens (Lm/m)	Wattage (W/m)	Voltage	Length	LED-Modules
1087	9.6W	24V	8 metres in two directions (16m total)	CRI 80+

Ordering example: Light Frame Type/Linear Strip/Colour Temperature/Extrusion Length/LED (e.g. LF5HP/1000/3000K/220/70)

LED Strip (Lumens)	Color Temperature	Fitting Length (mm)
1087	3000K / 4000K	120mm-3020mm

### LF5HP 600 Linear Strip (70 LED/m)



Lumens (Lm/m)	Wattage (W/m)	Voltage	Length	LED-Modules
648	4.8W	24V	10 metres in two directions (20m total)	CRI 80+

Ordering example: Light Frame Type/Linear Strip/Colour Temperature/Extrusion Length/LED (e.g. LF5HP/600/3000K/220/70)

LED Strip (Lumens)	Color Temperature	Fitting Length (mm)
648	3000K / 4000K	120mm-3020mm



Flex LED Linear Strips

18



3000 Linear Strip



- FEATURES:
- 120° Beam angle
  - 70 LED's per metre
  - 50 000hr life span

Ordering example: Light Frame Type/Colour Temperature/Extrusion Length (e.g. 3000LS/4000K/220)

Input Power	LED-Modules	Colour Consistency	Length	Cut Length	Material
24V	CRI 80+	3-Step MacAdam	3 metres in two directions (6 metres total)	100mm	FR4

CODE	CRI	K	W/m	Voltage	Lm/m
3000LS/3000K/220	80+	3000K	25.2W	24V	3080Lm
3000LS/4000K/220	80+	4000K	25.2W	24V	3080Lm

KELVIN OPTIONS:  
 3000K |  3500K |  4000K

2250 Linear Strip



- FEATURES:
- 120° Beam angle
  - 70 LED's per metre
  - 50 000hr life span

Input Power	LED-Modules	Colour Consistency	Length	Cut Length	Material
24V	CRI 80+	3-Step MacAdam	4 metres in two directions (8 metres total)	100mm	FR4

CODE	CRI	K	W/m	Voltage	Lm/m
2250LS/3000K/220	80+	3000K	18.5W	24V	2280Lm
2250LS/4000K/220	80+	4000K	18.5W	24V	2280Lm

KELVIN OPTIONS:  
 3000K |  4000K



## 2000 Linear Strip



### FEATURES:

- 120° Beam angle
- 240 LED's per metre
- 50 000hr life span

Ordering example: Light Frame Type/Colour Temperature/Extrusion Length (e.g. F600/4000K/2000)

Input Power	LED-Modules	Colour Consistency	Length	Cut Length	Material
24V	CRI 80+	3-Step MacAdam	5 metres in two directions (10 metres total)	100mm	Flexible PCB

CODE	CRI	K	W/m	Voltage	Lm/m	KELVIN OPTIONS:		
						<input type="radio"/> 3000K	<input type="radio"/> 3500K	<input type="radio"/> 4000K
F2000/3000K/1000	80+	3000K	19.2W	24V	2112Lm			
F2000/3500K/1000	80+	3500K	19.2W	24V	2112Lm			
F2000/4000K/1000	80+	4000K	19.2W	24V	2112Lm			

## 1200 Linear Strip 70



### FEATURES:

- 120° Beam angle
- 70 LED's per metre
- 50 000hr life span

Ordering example: Light Frame Type/Colour Temperature/Extrusion Length (e.g. 1200LS/4000K/2000)

Input Power	LED-Modules	Colour Consistency	Length	Cut Length	Material
24V	CRI 80+	3-Step MacAdam	7 metres in two directions (14 metres total)	100mm	Flexible PCB

CODE	CRI	K	W/m	Voltage	Lm/m	KELVIN OPTIONS:		
						<input type="radio"/> 3000K	<input type="radio"/> 4000K	
1200LS/3000K/2000	80+	3000K	9.6W	24V	1200Lm			
1200 LS/4000K/2000	80+	4000K	9.6W	24V	1200Lm			

## 1700 Linear Strip



### FEATURES:

- 120° Beam angle
- 70 LED's per metre
- 50 000hr life span

Input Power	LED-Modules	Colour Consistency	Length	Cut Length	Material
24V	CRI 80+	3-Step MacAdam	6 metres in two directions (12 metres total)	100mm	FR4

CODE	CRI	K	W/m	Voltage	Lm/m	KELVIN OPTIONS:		
						<input type="radio"/> 3000K	<input type="radio"/> 4000K	
1700LS/3000K/220	80+	3000K	14W	24V	1728Lm			
1700LS/4000K/220	80+	4000K	14W	24V	1728Lm			

## 1200 Linear Strip 240



### FEATURES:

- 120° Beam angle
- 240 LED's per metre
- 50 000hr life span

Ordering example: Light Frame Type/Colour Temperature/Extrusion Length (e.g. F600/4000K/2000)

Input Power	LED-Modules	Colour Consistency	Length	Cut Length	Material
24V	CRI 80+	3-Step MacAdam	7 metres in two directions (14 metres total)	100mm	Flexible PCB

CODE	CRI	K	W/m	Voltage	Lm/m	KELVIN OPTIONS:		
						<input type="radio"/> 3000K	<input type="radio"/> 4000K	
F1200240/3000K/2000	80+	3000K	4.8W	24V	1200Lm			
F1200240/4000K/2000	80+	4000K	4.8W	24V	1200Lm			

## 1200 Linear Strip 240 IP



### FEATURES:

- 120° Beam angle
- 240 LED's per metre
- 30 000hr life span

Ordering example: Light Frame Type/Colour Temperature/Extrusion Length (e.g. F600/4000K/2000)

Input Power	LED-Modules	Colour Consistency	Length	Cut Length	Material
24V	CRI 80+	3-Step MacAdam	7 metres in two directions (14 metres total)	100mm	Flexible PCB

CODE	CRI	K	W/m	Voltage	Lm/m	KELVIN OPTIONS:	
						<input type="radio"/> 3000K	<input type="radio"/> 4000K
F1200240/3000K/2000	80+	3000K	4.8W	24V	1200Lm	<input type="radio"/>	<input type="radio"/>
F1200240/4000K/2000	80+	4000K	4.8W	24V	1200Lm	<input type="radio"/>	<input type="radio"/>

## 600 Linear Strip



### FEATURES:

- 120° Beam angle
- 70 LED's per metre
- 50 000hr life span

Ordering example: Light Frame Type/Colour Temperature/Extrusion Length (e.g. 600LS/4000K/2000)

Input Power	LED-Modules	Colour Consistency	Length	Cut Length	Material
24V	CRI 80+	3-Step MacAdam	10 metres in two directions (20 metres total)	100mm	Flexible PCB

CODE	CRI	K	W/m	Voltage	Lm/m	KELVIN OPTIONS:	
						<input type="radio"/> 3000K	<input type="radio"/> 4000K
F600/3000K/2000	80+	3000K	4.8W	24V	648Lm	<input type="radio"/>	<input type="radio"/>
F600/4000K/2000	80+	4000K	4.8W	24V	648Lm	<input type="radio"/>	<input type="radio"/>

## 1000 Linear Strip



### FEATURES:

- 120° Beam angle
- 70 LED's per metre
- 50 000hr life span

Input Power	LED-Modules	Colour Consistency	Length	Cut Length	Material
24V	CRI 80+	3-Step MacAdam	8 metres in two directions (16 metres total)	100mm	FR4

CODE	CRI	K	W/m	Voltage	Lm/m	KELVIN OPTIONS:	
						<input type="radio"/> 3000K	<input type="radio"/> 4000K
1000LS/3000K/220	80+	3000K	9.6W	24V	1087Lm	<input type="radio"/>	<input type="radio"/>
1000LS/4000K/220	80+	4000K	9.6W	24V	1087Lm	<input type="radio"/>	<input type="radio"/>

## 360 RGB Linear Strip



### FEATURES:

- 120° Beam angle
- 60 LED's per metre
- 50 000hr life span

Ordering example: Light Frame Type/Colour Temperature/Extrusion Length (e.g. RGB60/4000K/1000)

Input Power	LED-Modules	Colour Consistency	Length	Cut Length	Material
24V	CRI 80+	3-Step MacAdam	5 metres in two directions (10 metres total)	100mm	Flexible PCB

CODE	CRI	K	W/m	Voltage	Lm/m	KELVIN OPTIONS:	
						<input type="radio"/> 3000K	<input type="radio"/> 4000K
RGB60/3000K/1000	80+	3000K	14.4W	24V	-	<input type="radio"/>	<input type="radio"/>
RGB60/4000K/1000	80+	4000K	14.4W	24V	-	<input type="radio"/>	<input type="radio"/>

LUMEN OUTPUT:

- Red - 108Lm
- Green - 180Lm
- Blue - 72Lm



## 800 RGBW Linear Strip



### FEATURES:

- 120° Beam angle
- 60 LED's per metre
- 50 000hr life span

Ordering example: Light Frame Type/Colour Temperature/Extrusion Length (e.g. F600/4000K/2000)

Input Power	LED-Modules	Colour Consistency	Length	Cut Length	Material
24V	CRI 80+	3-Step MacAdam	5 metres in two directions (10 metres total)	100mm	Flexible PCB

CODE	CRI	K	W/m	Voltage	Lumen Output	Lm/m	KELVIN OPTIONS:		
							<input type="radio"/> 3000K	<input type="radio"/> 4000K	<input type="radio"/> 6000K
RGBW60/3000K/1000	80+	3000K	14.4W	24V	RGB + 3000K	864Lm	<input type="radio"/>	<input type="radio"/>	<input type="radio"/>
RGBW60/4000K/1000	80+	4000K	14.4W	24V	RGB + 4000K	864Lm	<input type="radio"/>	<input type="radio"/>	<input type="radio"/>
RGBW60/6000K/1000	80+	6000K	14.4W	24V	RGB + 6000K	864Lm	<input type="radio"/>	<input type="radio"/>	<input type="radio"/>

LUMEN OUTPUT:  
 Red - 108Lm  
 Green - 180Lm  
 Blue - 72Lm

## Tunable White



### FEATURES:

- 120° Beam angle
- 280 LED's per metre
- 50 000hr life span

Ordering example: Light Frame Type/Colour Temperature/Extrusion Length (e.g. TunableWhite/4000K/10000)

Input Power	LED-Modules	Colour Consistency	Length	Cut Length	Material
24V	CRI 90+	3-Step MacAdam	5 metres in two directions (10 metres total)	50mm	Flexible PCB

CODE	CRI	K	W/m	Voltage	Lm/m	KELVIN OPTIONS:	
						<input type="radio"/> 3000K	<input type="radio"/> 4000K
TunableWhite/4000K/10000	90+	2700K - 6000K	19.2W	24V	1000Lm (2700K)	<input type="radio"/>	<input type="radio"/>

## 1400 RGBWW Linear Strip



### FEATURES:

- 120° Beam angle
- 60 LED's per metre
- 50 000hr life span

Ordering example: Light Frame Type/Colour Temperature/Extrusion Length (e.g. RGBWW60/4000K/1000)

Input Power	LED-Modules	Colour Consistency	Length	Cut Length	Material
24V	CRI 90+	3-Step MacAdam	5 metres in two directions (10 metres total)	100mm	Flexible PCB

CODE	CRI	K	W/m	Voltage	Lumen Output	Lm/m	KELVIN OPTIONS:	
							<input type="radio"/> 2400K	<input type="radio"/> 6500K
RGBWW60/1000	90+	3000K	24W	24V	RGB + 2400K	1440Lm	<input type="radio"/>	<input type="radio"/>
RGBWW60/1000	90+	3000K	24W	24V	RGB + 6500K	1440Lm	<input type="radio"/>	<input type="radio"/>

LUMEN OUTPUT:  
 Red - 108Lm  
 Green - 180Lm  
 Blue - 72Lm

## Dim to Warm



### FEATURES:

- 120° Beam angle
- 224 LED's per metre
- 50 000hr life span

Ordering example: Light Frame Type/Colour Temperature/Extrusion Length (e.g. DimtoWarm/4000K/10000)

Input Power	LED-Modules	Colour Consistency	Length	Cut Length	Material
24V	CRI 90+	3-Step MacAdam	5 metres in two directions (10 metres total)	71.4mm	Flexible PCB

CODE	CRI	K	W/m	Voltage	Lm/m	KELVIN OPTIONS:
						1800K-2700K
DimtoWarm/4000K/10000	90+	1800-2700K	20W	24V	1000Lm (2700K)	

## Super Slim



### FEATURES:

- 120° Beam angle
- 4mm wide
- 168 LED's per metre
- 50 000hr life span

Ordering example: Light Frame Type/Colour Temperature/Extrusion Length (e.g. SuperSlim/4000K/10000)

Input Power	LED-Modules	Colour Consistency	Length	Cut Length	Material
24V	CRI 90+	3-Step MacAdam	5 metres in two directions (10 metres total)	41.4mm	Flexible PCB

CODE	CRI	K	W/m	Voltage	Lm/m	KELVIN OPTIONS:	
						<input checked="" type="radio"/> 3000K	<input type="radio"/> 4000K
SuperSlim/4000K/10000	90+	1800-2700K	10W	24V	960Lm		

## Neon Flex

# 27





## Neon Flex UDF (Up Down Flexible)

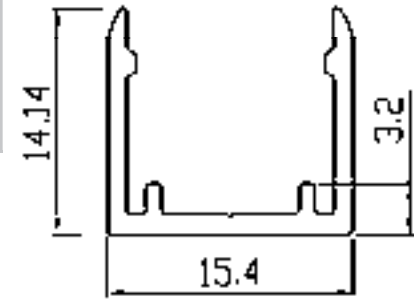


- FEATURES:
- Bending direction: up and down
  - Remote power supply
  - Encapsulated flexible PCB



Input Power	LED-Modules	Colour Consistency	Length	Cut Length	Material
24V	CRI 80+	3-Step MacAdam	10 metres in two directions (20 metres total)	50mm	Silicone

CODE	CRI	K	W/m	Lm/m
NeonFlexUDF/80/30/8	80+	3000K	9.6W	670Lm
NeonFlexUDF/80/40/8	80+	4000K	9.6W	670Lm



END CAP:



CONNECTOR:



## Neon Flex SSF (Side to Side Flexible)

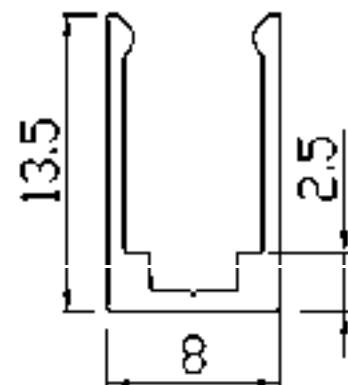


- FEATURES:
- Bending direction: side to side
  - Remote power supply
  - Encapsulated flexible PCB



Input Power	LED-Modules	Colour Consistency	Length	Cut Length	Material
24V	CRI 90+	3-Step MacAdam	10 metres in two directions (20 metres total)	50mm	Silicone

CODE	CRI	K	W/m	Lm/m
NeonFlexSSF/90/30/8	90+	3000K	9.6W	280Lm
NeonFlexSSF/90/40/8	90+	4000K	9.6W	280Lm



END CAP:



CONNECTOR:



## Neon Flex Slim SSF (Side to Side Flexible)

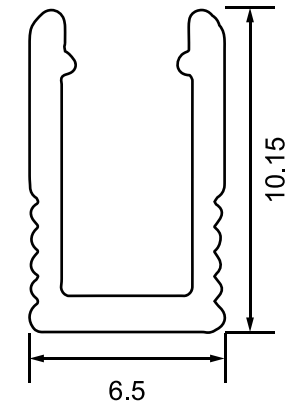


- FEATURES:
- Bending direction: side to side
  - Remote power supply
  - Encapsulated flexible PCB



Input Power	LED-Modules	Colour Consistency	Length	Cut Length	Material
24V	CRI 90+	3-Step MacAdam	5 metres in two directions (10 metres total)	41.66mm	Silicone

CODE	CRI	K	W/m	Lm/m
NeonFlexSlimSSF/90/30/8	90+	3000K	7.2W	220Lm
NeonFlexSlimSSF/90/40/8	90+	4000K	7.2W	220Lm

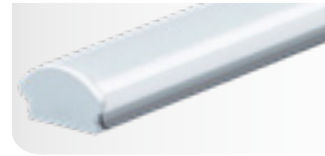


END CAP:



CONNECTOR:





### Light Frame 5

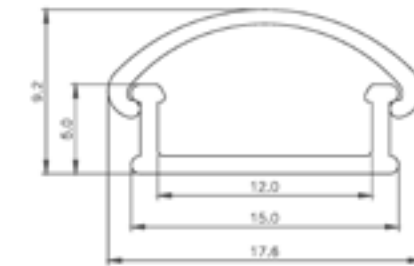


- FEATURES:
- Anodised aluminium profile
  - Enhanced cooling properties
  - Cove lighting applications
  - Areas with limited space
  - Includes mounting clips for ease of installation
  - Designed and manufactured in South Africa

CODE	Width	Height
LF5	17.6mm	9.2mm

- DIFFUSER OPTIONS:
- FR - PMMA Frosted diffuser
  - OP - PMMA Opal diffuser

LED STRIP COMPATIBILITY:



### Light Frame 5 Tab

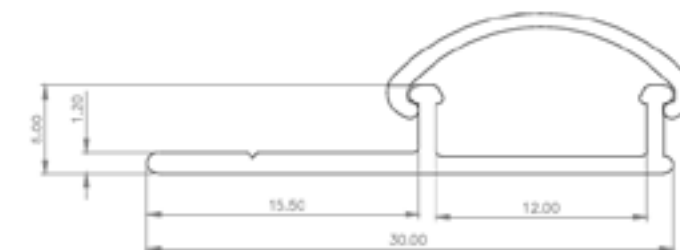


- FEATURES:
- Anodised aluminium profile
  - Enhanced cooling properties
  - Fixing tab for ease of installation
  - Ideal for and bulkhead fixing
  - Designed and manufactured in South Africa

CODE	Width	Height
LF5T	31.3mm	9.2mm

- DIFFUSER OPTIONS:
- FR - PMMA Frosted diffuser
  - OP - PMMA Opal diffuser

LED STRIP COMPATIBILITY:





## Light Frame 5 High Power

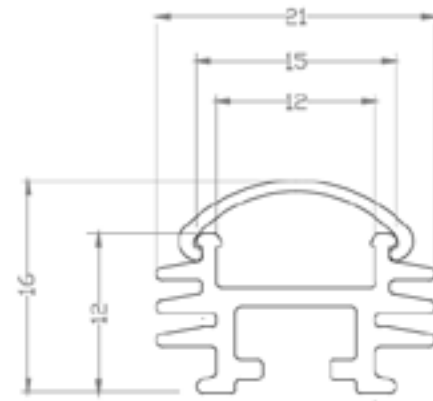


- FEATURES:
- Anodised aluminium profile
  - Enhanced cooling properties
  - Fixing tab for ease of installation
  - Application used for High Powered LED Strips
  - Designed and manufactured in South Africa

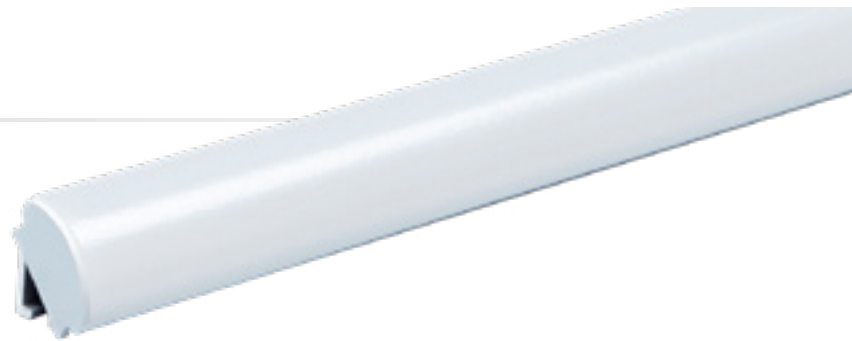
CODE	Width	Height
LF5HP	21mm	16mm

- DIFFUSER OPTIONS:
- FR - PMMA Frosted diffuser
  - OP - PMMA Opal diffuser

LED STRIP COMPATIBILITY:



## Light Frame 45

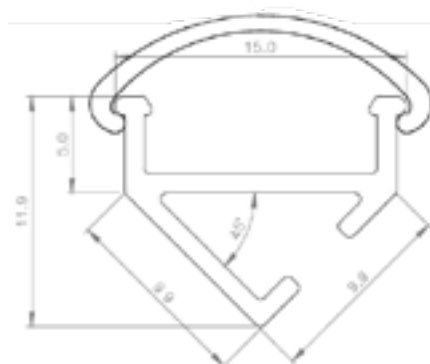


- FEATURES:
- Anodised aluminium profile
  - Enhanced cooling properties
  - Suited for cabinetry, showcase wall-wash & bulkhead illumination
  - Designed and manufactured in South Africa

CODE	Width	Height
LF45	17.6mm	16.1mm

- DIFFUSER OPTIONS:
- FR - PMMA Frosted diffuser
  - OP - PMMA Opal diffuser

LED STRIP COMPATIBILITY:



## Light Frame 45 Tab

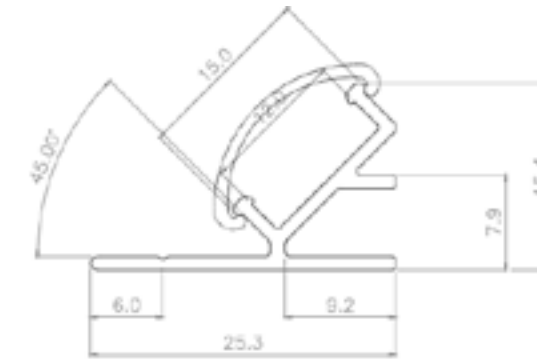


- FEATURES:
- Anodised aluminium profile
  - Enhanced cooling properties
  - Effective for corner illumination
  - Suited for cabinetry, showcase wall-wash & bulkhead illumination
  - Fixing TAB for ease of installation
  - Designed and manufactured in South Africa

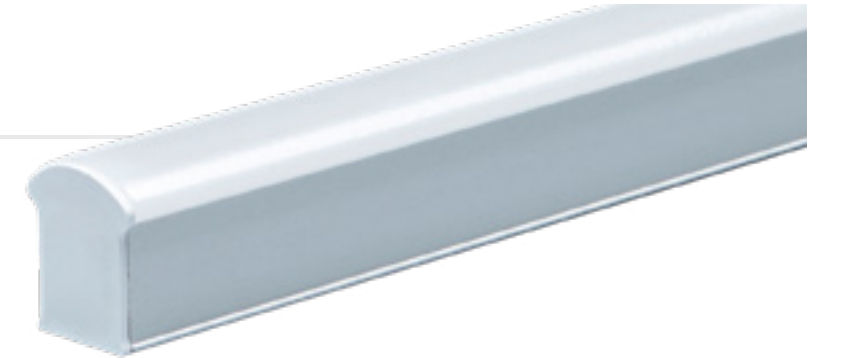
CODE	Width	Height
LF45T	25.3mm	16.4mm

- DIFFUSER OPTIONS:
- FR - PMMA Frosted diffuser
  - OP - PMMA Opal diffuser

LED STRIP COMPATIBILITY:



## Light Frame 18

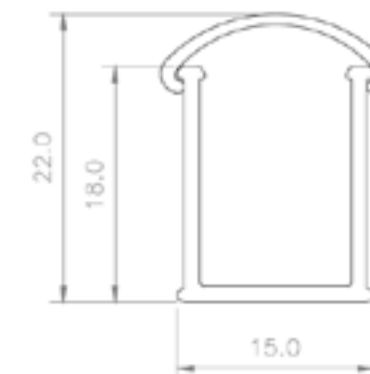


- FEATURES:
- Anodised aluminium profile
  - Enhanced cooling properties
  - 18mm Depth eliminates spotting in visible light sources eg. Coves, shopfitting and reflections
  - No spotting
  - Includes mounting clips
  - Designed and manufactured in South Africa

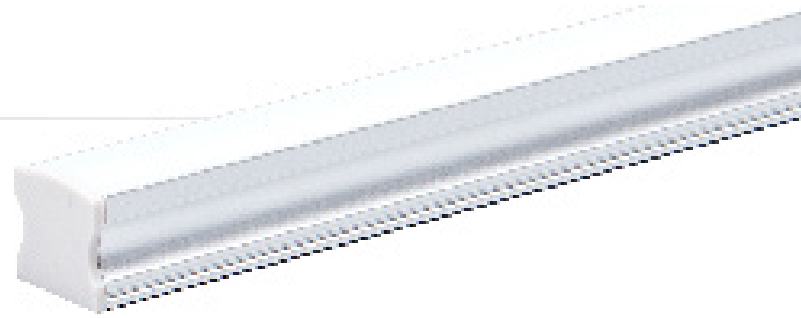
CODE	Width	Height
LF18	17.6mm	22mm

- DIFFUSER OPTIONS:
- FR - PMMA Frosted diffuser
  - OP - PMMA Opal diffuser

LED STRIP COMPATIBILITY:



## Light Frame 18 Surface Flat



### FEATURES:

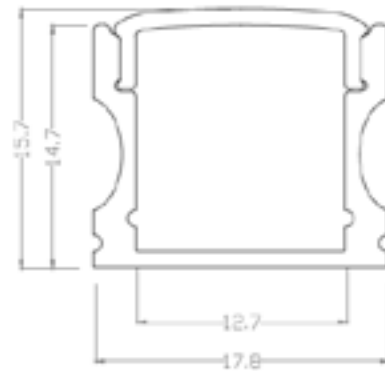
- Anodised aluminium profile
- Enhanced cooling properties
- Suitable for cupboards and joinery
- Flat diffuser
- No spotting
- Includes mounting clips

CODE	Width	Height
LF18SF	17.8mm	15.7mm

### DIFFUSER OPTIONS:

- OP - PMMA Opal diffuser

### LED STRIP COMPATIBILITY:



## Light Frame 18 Recessed Flat



### FEATURES:

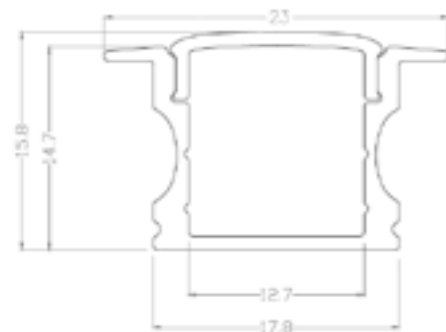
- Anodised aluminium profile
- Enhanced cooling properties
- Suitable for cupboards and joinery
- Flat diffuser
- No spotting

CODE	Width	Height
LF18RF	23mm	15.7mm

### DIFFUSER OPTIONS:

- OP - PMMA Opal diffuser

### LED STRIP COMPATIBILITY:



## Light Frame 20 Surface & Suspended



### FEATURES:

- Anodised aluminium profile + End cap
- Designed and manufactured in South Africa
- Enhanced cooling properties
- Custom lengths with joiners
- Contemporary slim design
- Includes mounting clips
- Option to suspend
- 10 Year UV stabilised diffuser

CODE	Mounting	Width	Height
LF20S	Surface	21.3mm	36mm
LF20SUS	Suspended	21.3mm	36mm

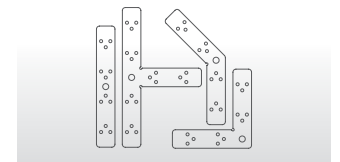
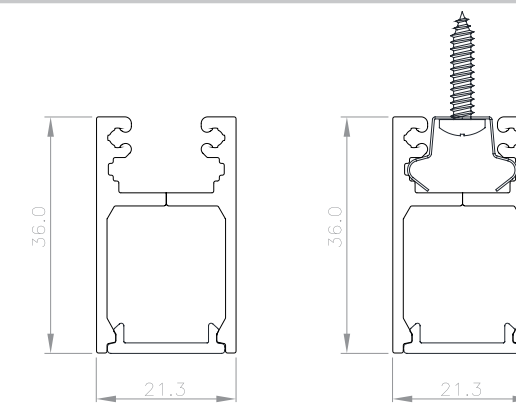
### DIFFUSER OPTIONS:

- MTO - PC Matt Opal diffuser

### JOINER BRACKETS:

- SC - Straight connector
- 90C - 90° connector
- 45C - 45° connector
- Custom angle to order

### LED STRIP COMPATIBILITY:



## Light Frame 40 Surface & Suspended



### FEATURES:

- Anodised aluminium profile + End cap
- Enhanced cooling properties
- Primary light source applications
- Custom lengths with joiners
- Option to suspend
- 10 Year UV stabilised diffuser
- Designed and manufactured in South Africa

CODE	Mounting	Width	Height
LF40S	Surface	40mm	40.1mm
LF40SUS	Suspended	40mm	40.1mm

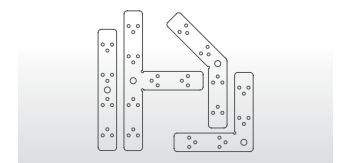
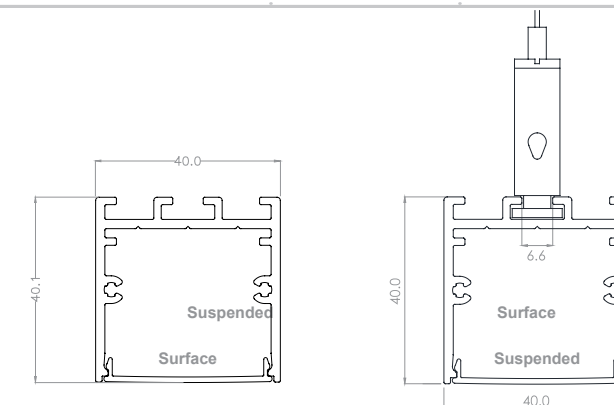
### DIFFUSER OPTIONS:

- MTO - PC Matt Opal diffuser

### JOINER BRACKETS:

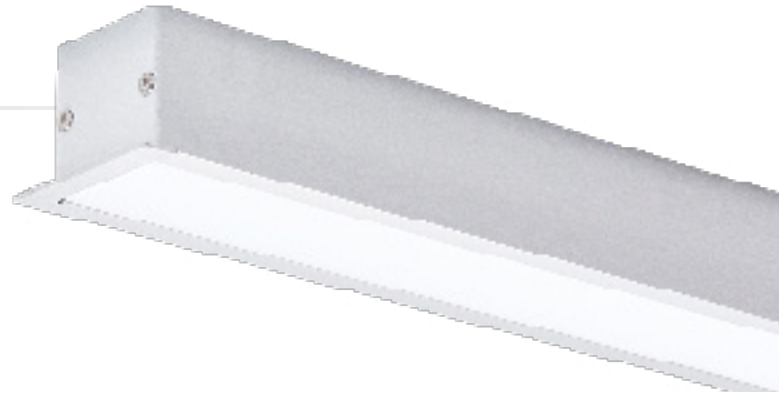
- SC - Straight connector
- 90C - 90° connector
- 45C - 45° connector
- Custom angle to order

### LED STRIP COMPATIBILITY:





## Light Frame 40 Recessed

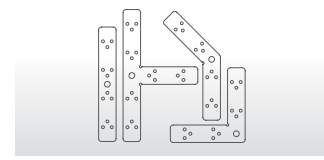


- FEATURES:
- Anodised aluminium profile + End cap
  - Enhanced cooling properties
  - Primary light source applications
  - Custom lengths with joiners
  - 10 Year UV stabilised diffuser
  - Designed and manufactured in South Africa

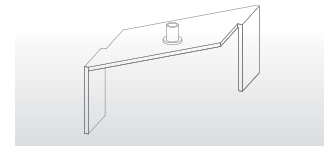
CODE	Width	Height
LF40R	54mm	40mm

- DIFFUSER OPTIONS:
- MTO - PC Matt Opal diffuser

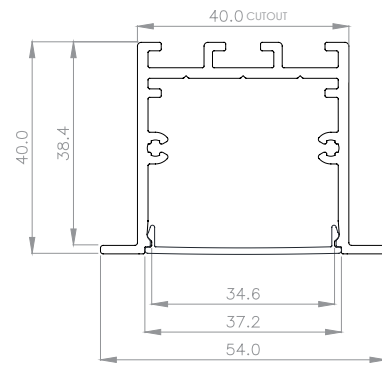
- JOINER BRACKETS:
- SC - Straight connector
  - 90C - 90° connector
  - 45C - 45° connector
  - Custom angle to order



MOUNTING BRACKET



LED STRIP COMPATIBILITY:



## Light Frame 55 Recessed

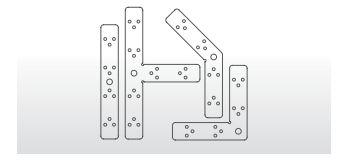


- FEATURES:
- Anodised aluminium profile + End cap
  - Enhanced cooling properties
  - Primary light source applications
  - Custom lengths with joiners
  - 10 Year UV stabilised diffuser
  - Designed and manufactured in South Africa

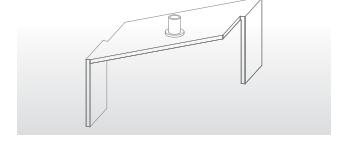
CODE	Width	Height
LF55R	70.6mm	48mm

- DIFFUSER OPTIONS:
- MTO - PC Matt Opal diffuser

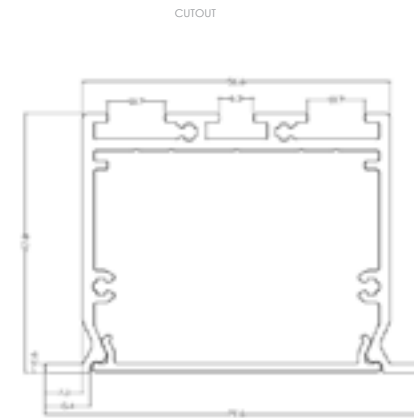
- JOINER BRACKETS:
- SC - Straight connector
  - 90C - 90° connector
  - 45C - 45° connector
  - Custom angle to order



MOUNTING BRACKET



LED STRIP COMPATIBILITY:



## Light Frame 55 Surface & Suspended

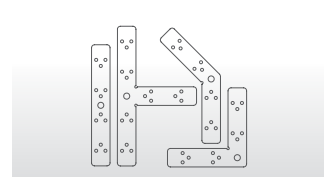


- FEATURES:
- Anodised aluminium profile + End cap
  - Enhanced cooling properties
  - Primary light source applications
  - Custom lengths with joiners
  - Option to suspend
  - 10 Year UV stabilised diffuser
  - Designed and manufactured in South Africa

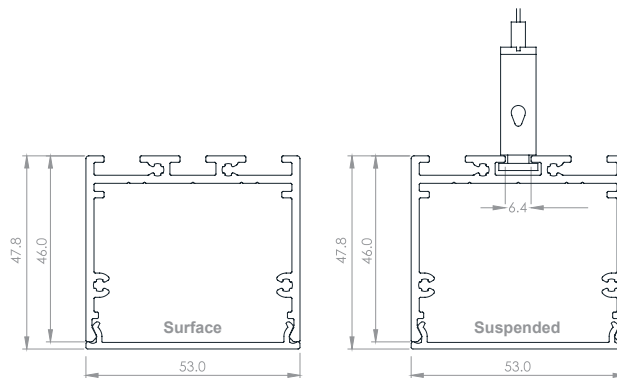
CODE	Mounting	Width	Height
LF55S	Surface	53mm	48mm
LF55SUS	Suspended	53mm	48mm

- DIFFUSER OPTIONS:
- MTO - PC Matt Opal diffuser

- JOINER BRACKETS:
- SC - Straight connector
  - 90C - 90° connector
  - 45C - 45° connector
  - Custom angle to order



LED STRIP COMPATIBILITY:



## Light Frame 55x80

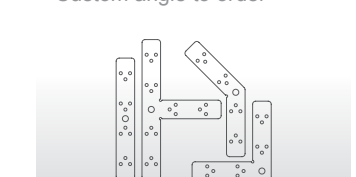


- FEATURES:
- Anodised aluminium profile + End cap
  - Enhanced cooling properties
  - Primary light source applications
  - Power supply housed internally
  - Custom lengths with joiners
  - Option to suspend

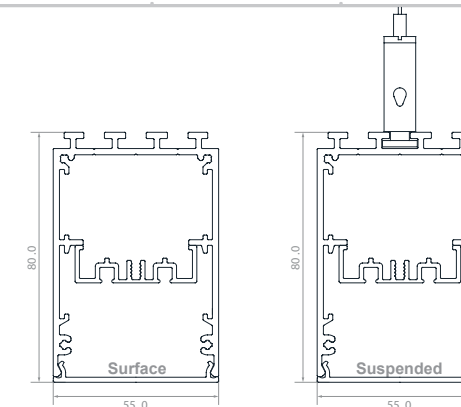
CODE	Mounting	Width	Height
LF55x80S	Surface	55mm	80mm
LF55x80SUS	Suspended	55mm	80mm

- DIFFUSER OPTIONS:
- OP - PVC Opal diffuser

- JOINER BRACKETS:
- SC - Straight connector
  - 90C - 90° connector
  - 45C - 45° connector
  - Custom angle to order



LED STRIP COMPATIBILITY:



## Light Frame 80 Surface & Suspended



### FEATURES:

- Anodised aluminium profile + End cap
- Enhanced cooling properties
- Primary light source applications
- Custom lengths with joiners
- Option to suspend
- 10 Year UV stabilised diffuser
- Designed and manufactured in South Africa

CODE	Mounting	Width	Height
LF80S	Surface	80mm	48mm
LF80SUS	Suspended	80mm	48mm

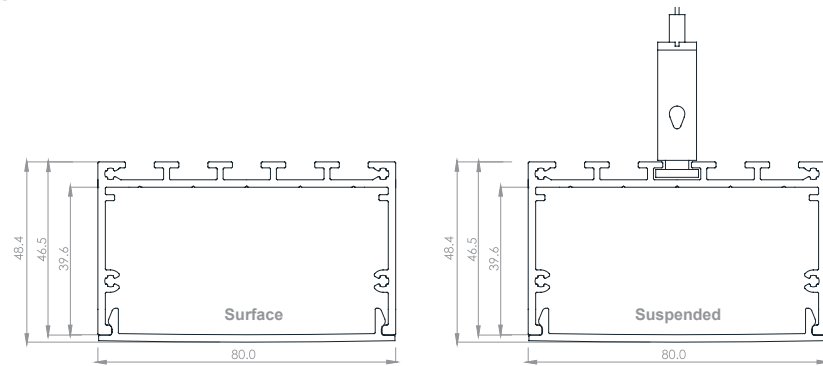
### DIFFUSER OPTIONS:

- MTO - PC Matt Opal diffuser

### JOINER BRACKETS:

- SC - Straight connector
- 90C - 90° connector
- 45C - 45° connector
- Custom angle to order

### LED STRIP COMPATIBILITY:



## Light Frame 80 Recessed



### FEATURES:

- Anodised aluminium profile
- Enhanced cooling properties
- Primary light source applications
- Custom lengths with joiners
- 10 Year UV stabilised diffuser
- Designed and manufactured in South Africa

CODE	Width	Height
LF80R	100mm	49mm

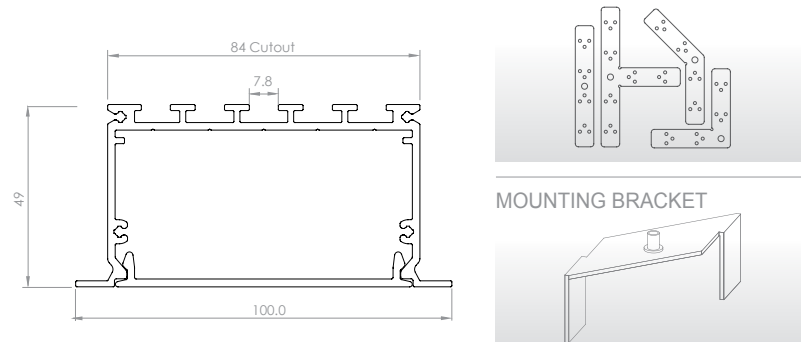
### DIFFUSER OPTIONS:

- MTO - PC Matt Opal diffuser

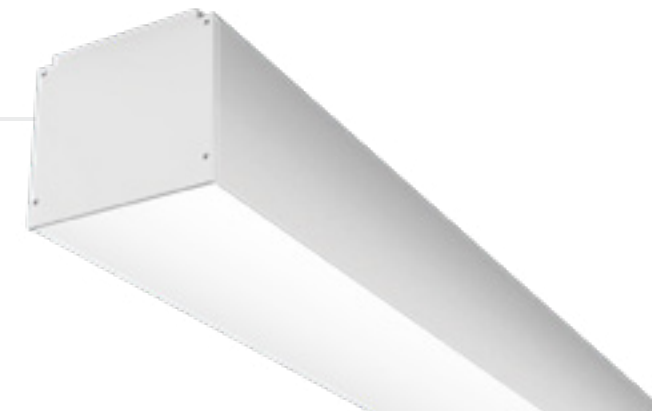
### JOINER BRACKETS:

- SC - Straight connector
- 90C - 90° connector
- 45C - 45° connector
- Custom angle to order

### LED STRIP COMPATIBILITY:



## Light Frame 100 Surface & Suspended



### FEATURES:

- Anodised aluminium profile
- Enhanced cooling properties
- Primary light source applications
- Custom lengths with joiners
- 10 Year UV stabilised diffuser
- Designed and manufactured in South Africa

CODE	Mounting	Width	Height
LF100S	Surface	100mm	88mm
LF100SUS	Suspended	100mm	88mm

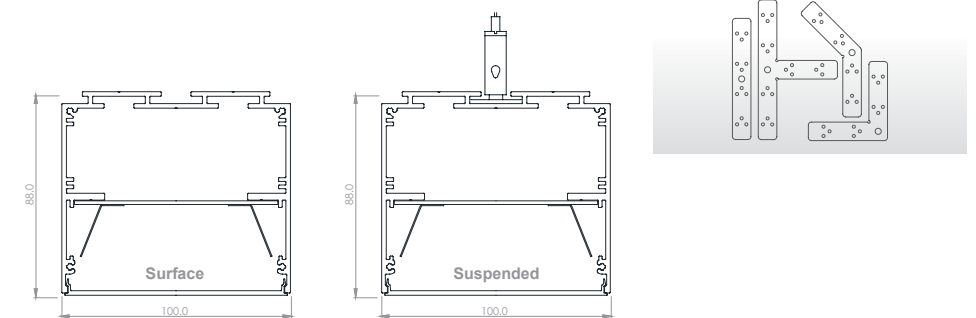
### DIFFUSER OPTIONS:

- MTO - PC Matt Opal diffuser

### JOINER BRACKETS:

- SC - Straight connector
- 90C - 90° connector
- 45C - 45° connector
- Custom angle to order

### LED STRIP COMPATIBILITY:



## Light Frame Stair



### FEATURES:

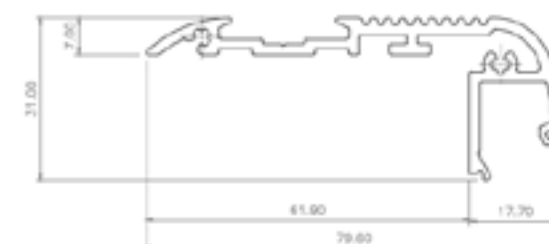
- Anodised aluminium profile
- Enhanced cooling properties
- Rugged stair bull nose
- Stairway tread illumination
- Rubber tread included
- Designed and manufactured in South Africa

CODE	Width	Height
LFST	79.6mm	32mm

### DIFFUSER OPTIONS:

- MT - Matt diffuser
- OP - PMMA Opal diffuser

### LED STRIP COMPATIBILITY:



## Contact us

### Cape Town

100 Upper Canterbury Street  
Gardens, Cape Town  
Western Cape, 8001  
+27 21 464 4661

### Johannesburg

Unit 5a Galaxy Park,  
Galaxy Road Linbro Park,  
Johannesburg  
Gauteng, 1401  
+27 11 262 5179

### Pretoria

Unit 11, Lenchen Park  
Lenchen Road South,  
Centurion  
Gauteng, 0157  
+27 12 663 5921

### Port Elizabeth

4 Reith Street  
Sidwell, Port Elizabeth  
Eastern Cape, 6061  
+27 41 817 5535

### Durban

Unit L, Nandi Park, 34 Brickworks  
Way Briardene, Durban  
Kwazulu Natal, 4051  
+27 31 001 2964

### Namibia

Unit 2, Tesoro Building  
31 TV More Street  
Windhoek  
+264 61 400 339

### Rest of Africa

Regus Office Space, 1st Floor,  
Willowbridge Centre, Carl Cronje  
Drive Belville Park, Cape Town  
Western Cape, 7530  
+27 21 974 6100 (Ext 6131)

Email: [info@province.co.za](mailto:info@province.co.za)  
Website: [www.provincelighting.com](http://www.provincelighting.com)

**RUBICON**  
LIGHTING

DISCLAIMER: While every effort has been made to ensure that the information contained within this catalogue is accurate and up to date, Rubicon Lighting makes no warranty, representation or undertaking whether expressed or implied, nor does it assume any legal liability, whether direct or indirect, or responsibility for the accuracy, completeness, or usefulness of any information.