



Presents

Smart Homes Solutions

Company Solutions

Smart Solutions

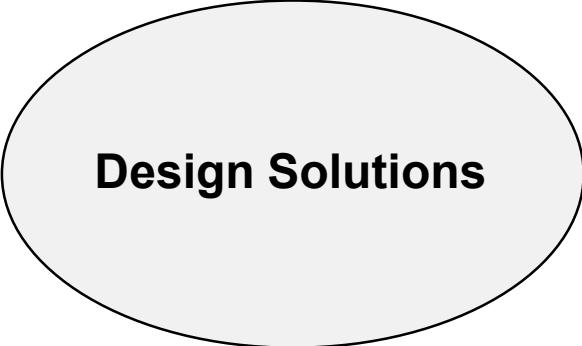
- Smart Buildings
- Smart Hotels
- Smart Homes
- Audio Visual
- Resource Management
- Sensors

Lighting

- Architectural
- Commercial
- Retail
- LED

Switches

- Berker
- Teleco
- Gewiss
- Legrand
- Hager



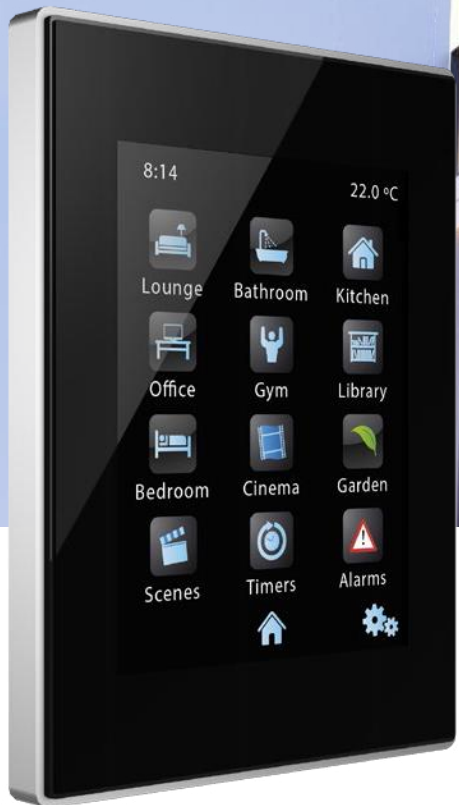
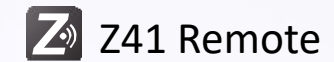
Design Solutions

We are specialist installers of Home Automation solutions to best suit your needs



Our automation solutions dramatically enhance users comfort, reduce energy consumption and improve cost saving to achieve high performance properties. All with your individual needs taken into consideration

Z41 Pro/lite. Access anywhere, anytime, from your Smartphone or Tablet.



Full Color Capacitive KNX Touch Panel with IP Connection

- Remote control from your smartphone or tablet.
- Management, control and visualisation in real-time.
- Up to 96 control functions.
- Thermostat and temperature sensor included.

Frame options:



Polycarbonate
Anthracite



Polycarbonate
Silver



Polycarbonate
White



Aluminium



Golden



Chrome



Flush-mounted

*

Home Automation & Video Door Entry System

All-in-one Solution



Frame options:



Polycarbonate
Anthracite



Polycarbonate
Silver



Polycarbonate
White

Automation and communication
integrated in just one solution.

- Integration with video intercom.
- Control of up to 96 functions.
- Includes microphone and speakers.
- Remote control from Z41 Remote APP

Z70 Com/Lite Capacitive Color Touch Panel for the most competitive projects.



KNX Capacitive Color Touch Panel.

- Scenes and alarms control.
- 2 analog/digital inputs.
- 2 Thermostats.
- Integral climate management.
- Temperature sensor included.
- Weekly timers.

Frame options:



Polycarbonate
Anthracite



Polycarbonate
Silver



Polycarbonate
White



Aluminium



Golden



Chrome



Flush-mounted

Capacitive touch panel with a 3.5" display



KNX touch panel.

- 3.5" capacitive touch panel.
- Up to 7 configurable pages and another one for settings.
- Built-in temperature, luminosity and proximity sensors.
- 2 independent thermostats.
- 4 analog/digital inputs.

Available options:



InZennio Z35
Anthracite



InZennio Z35
Silver



InZennio Z35
White





You design it,
we produce it for you.

FLAT
SERIES

TMD
SERIES



Add some extra style to your
ambience.

- TMD Display One.
- TMD Display View.
- TMD Plus.
- Square TMD-Display.
- Square TMD.
- Flat Display.
- Flat.

*

Smart and modern design spaces. Create your own compositions and get the aesthetics you wish in your room.



TMD-Display. Totally customisable room controller.

- 1.8" back-lit display.
- 8 main buttons and 1 central button.
- Configurable LEDs indicators.
- Thermostat and temperature sensor integrated.
- 2 analog/digital inputs.
- Installation in standard wall mounting boxes.

Frame options:



Polycarbonate
Anthracite



Polycarbonate
Silver



Polycarbonate
White



Aluminium



Golden



Chrome



Flush-mounted

TMD-Display View.



TMD-Display View. Customizable room controller.

- 1.8" back-lit display.
- Up to 32 functions distributed in 4 pages.
- 8 main buttons and 1 central button.
- Configurable LEDs indicators.
- Thermostat and temperature sensor integrated.
- 2 analog/digital inputs.

Frame options:



Polycarbonate Anthracite



Polycarbonate Silver



Polycarbonate White



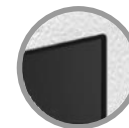
Aluminium



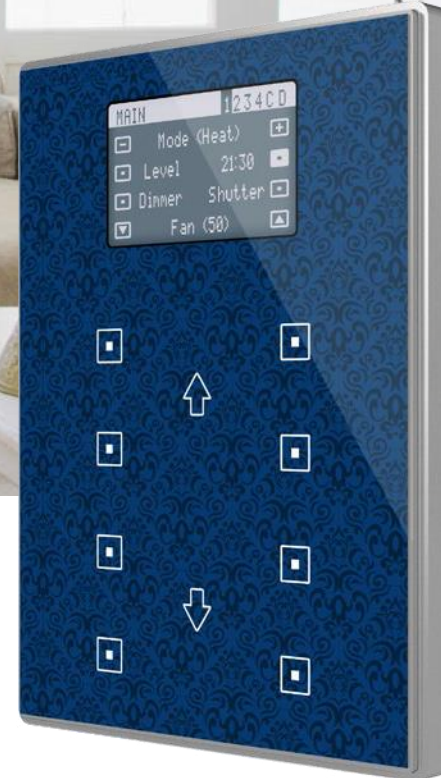
Golden



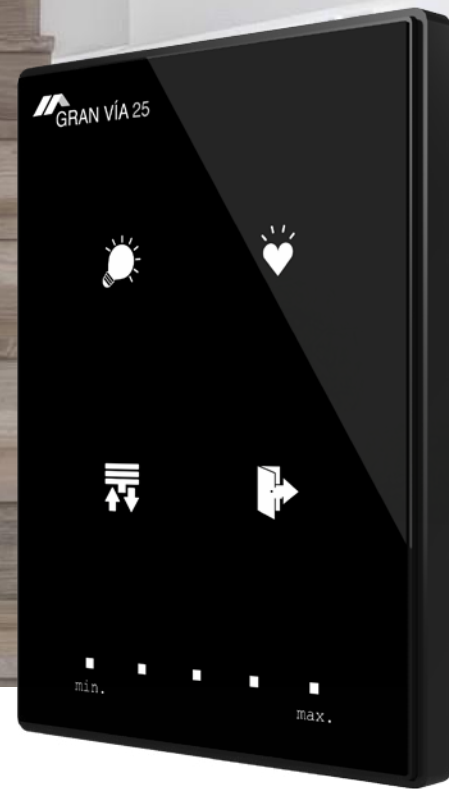
Chrome



Flush-mounted



Add some extra style to your ambiance.
You design it, we produce it for you.



KNX capacitive touch switch fully customisable.

- Horizontal or vertical design.
- 4, 6 and 8 buttons.
- 5 buttons for direct functions.
- Thermostat included.
- Integrated temperature sensor.

Frame options:



Polycarbonate
Anthracite



Polycarbonate
Silver



Polycarbonate
White



Aluminium



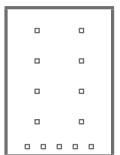
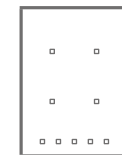
Golden



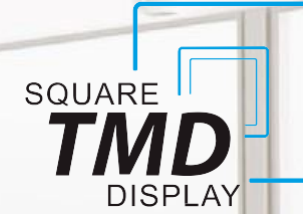
Chrome



Flush-mounted



The heart of energy efficiency. Customisable capacitive room controller with 5 multifunction buttons and display.



Eco Function



Square TMD-Display.
The heart of energy efficiency.

- 1.8" back-lit display.
- 5 configurable multifunction buttons.
- Up to 8 display configurable indicators.
- Temperature sensor included.
- 2 analog/digital inputs
- Possibility of "Eco" function for thermostats and energy saving.

Frame options:



Polycarbonate
Anthracite



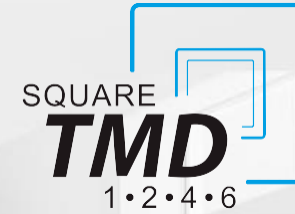
Polycarbonate
Silver



Polycarbonate
White



Flush-mounted



Modern and functional spaces. Capacitive touch panel fully customisable. 1, 2, 4 or 6 buttons.



Square TMD. Multifunction capacitive touch switch fully customisable with 1, 2, 4, or 6 buttons.

- Capacitive switch with 1, 2, 4 or 6 buttons.
- Temperature sensor included.
- 2 analog/digital inputs.
- Available models: Anthracite / Silver / White.

Frame options:



Polycarbonate
Anthracite



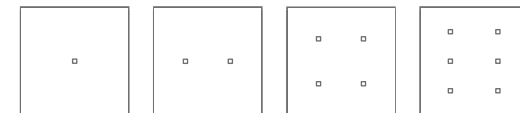
Polycarbonate
Silver



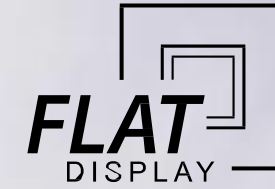
Polycarbonate
White



Flush-mounted



Capacitive touch panel with flat design and total customisation.



Flat Display with 5 configurable buttons and back-lit LED icons.

- 2.4" back-lit display with up to 8 indicators.
- Proximity sensor and ambient lighting sensor.
- Thermostat function and internal temperature sensor.
- Vibration feedback.
- 2 analog/digital inputs.

Available options:



Anthracite

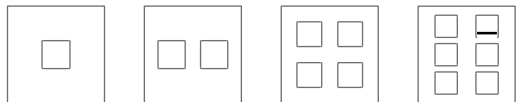


Silver



White

Capacitive switches with thermostat.



Available options:



Anthracite



Silver

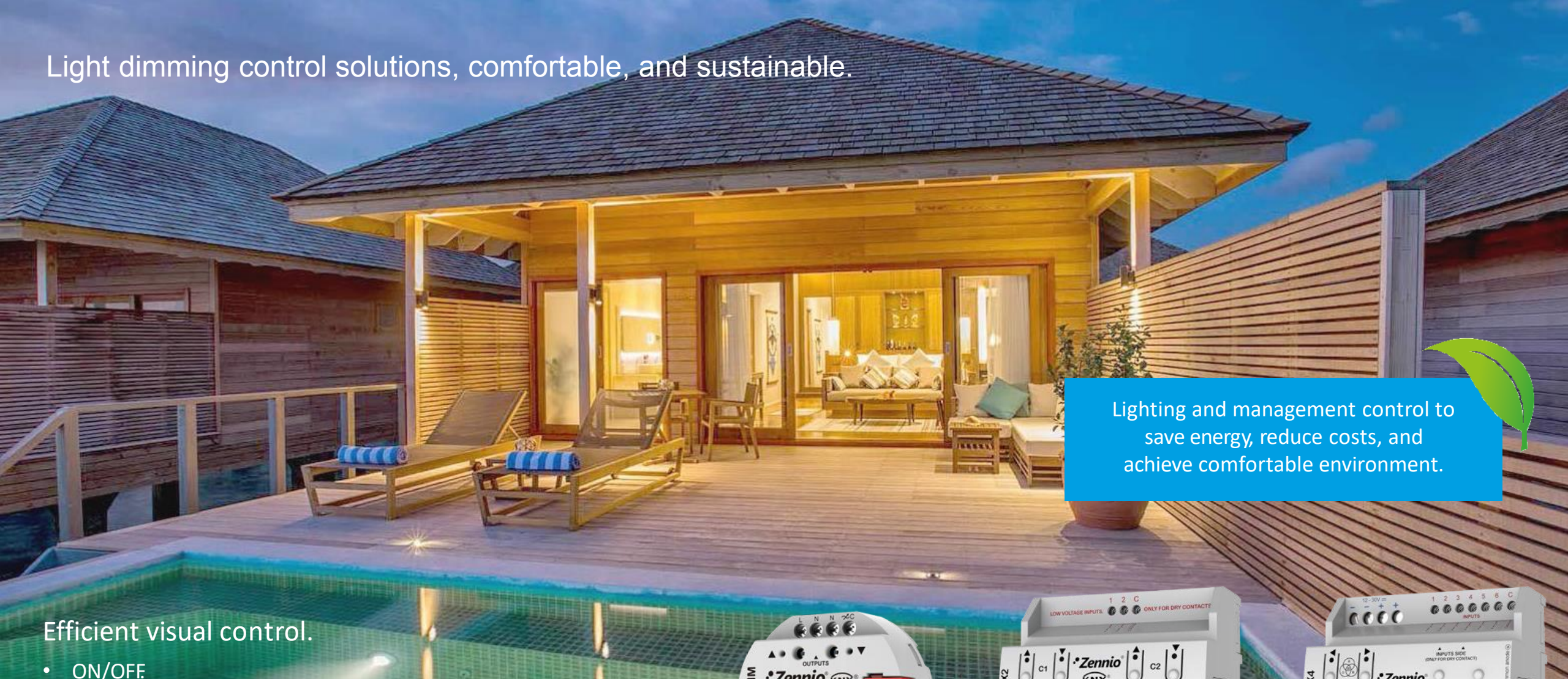


White

Flat capacitive switch with thermostat - 1/2/4/6 configurable buttons and back-lit LED icons.

- Proximity sensor and ambient lighting sensor.
- Thermostat function and temperature sensor.
- Vibration feedback.
- 2 analog/digital inputs.
- Available with standard design or custom design.

Light dimming control solutions, comfortable, and sustainable.



Lighting and management control to save energy, reduce costs, and achieve comfortable environment.

Efficient visual control.

- ON/OFF
- Dimming.
- Timers.
- Occupancy sensors.
- Monochromatic LED.
- Color LED (RGB and RGBW).
- Dimming LEDs with constant voltage and/or constant current.



inBOX DIM



DIMinBOX DX2



Lumento DX4

KNX solutions for DALI lighting control.

Modern and comfortable interiors and work spaces with the maximum energy saving and building efficiency.

Efficient lighting control at interior spaces.

- Control up to 4/6 channels of up to 20 ballasts with broadcast commands.
- Control up to 10 scenes/sequences for each channel.
- Manual control and status indicator LEDs for each channel.
- Remote control from Smartphones and Tablets via Z41 Remote.



DALIBOX
BROADCAST 4CH



DALIBOX
BROADCAST 6CH



DALIBOX
Interface 64/32

Windows, blinds, and shutter solutions.

Control of automated blinds,
curtains, and shutters.

Blinds, curtains and shutters control.

- Control of roller and venetian blinds, curtains, and shutters
- Control of radiation to avoid or make an advantage of thermal loads, which contributes to energy saving.
- Automatic closing when the room is empty.



MAXinBOX
SHUTTER 4CH



MAXinBOX
SHUTTER 8CH



SHUTTER
Coupler 2CH

Heating and air conditioning climate solutions.

Direct control over 300 air conditioner models from different manufacturers.

Air conditioning and heating zone solutions with remote control.

- Interfaces for air conditioner units.
- Management of different climate zones.
- Control of underfloor heating and cooling
- Control of fan coil units.
- Integration of combined systems.
- Control of extractor fans and dehumidifiers.



HeatingBOX
230V 8X



Multiroom Climate
Controller - MCC

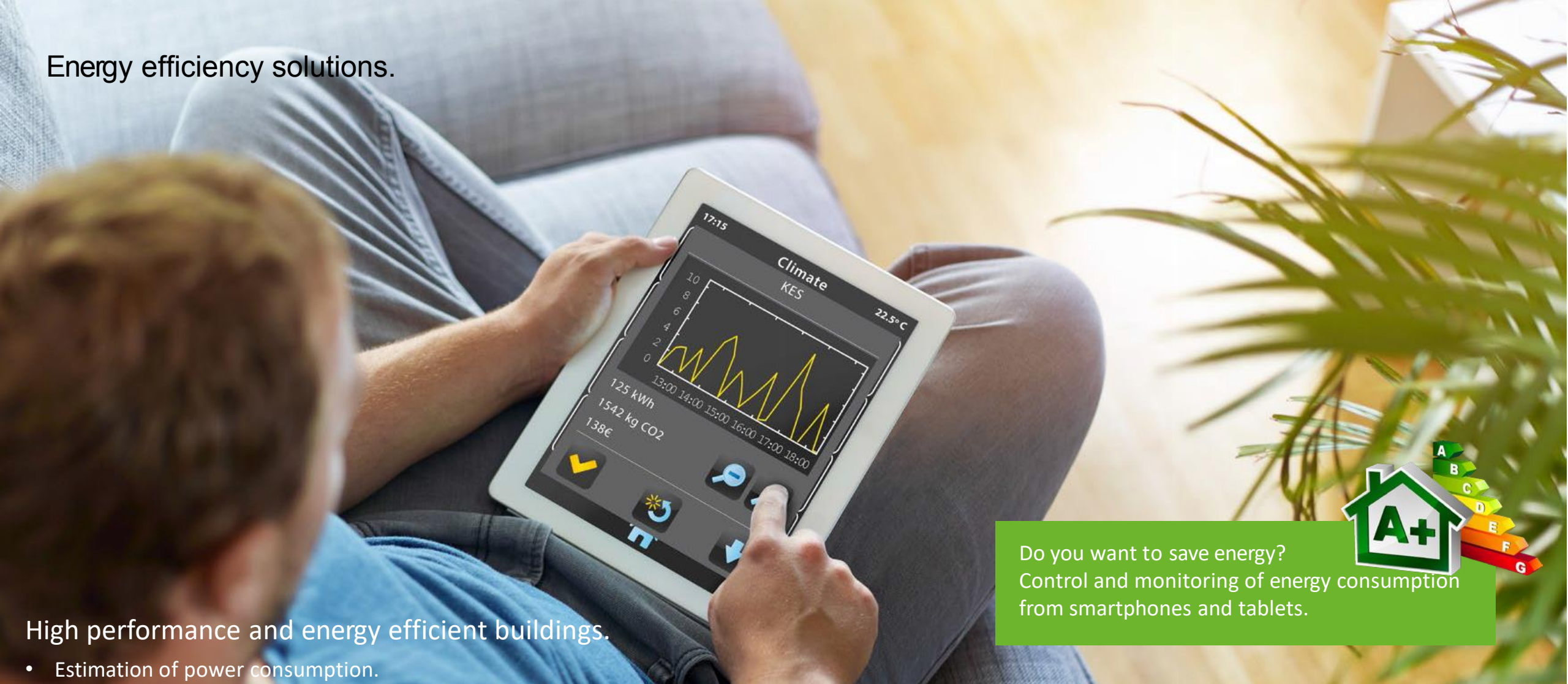


MAXinBOX
HOSPITALITY



ZoningBOX 6

Energy efficiency solutions.

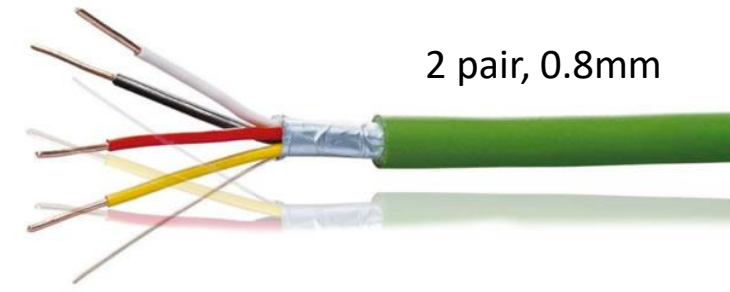
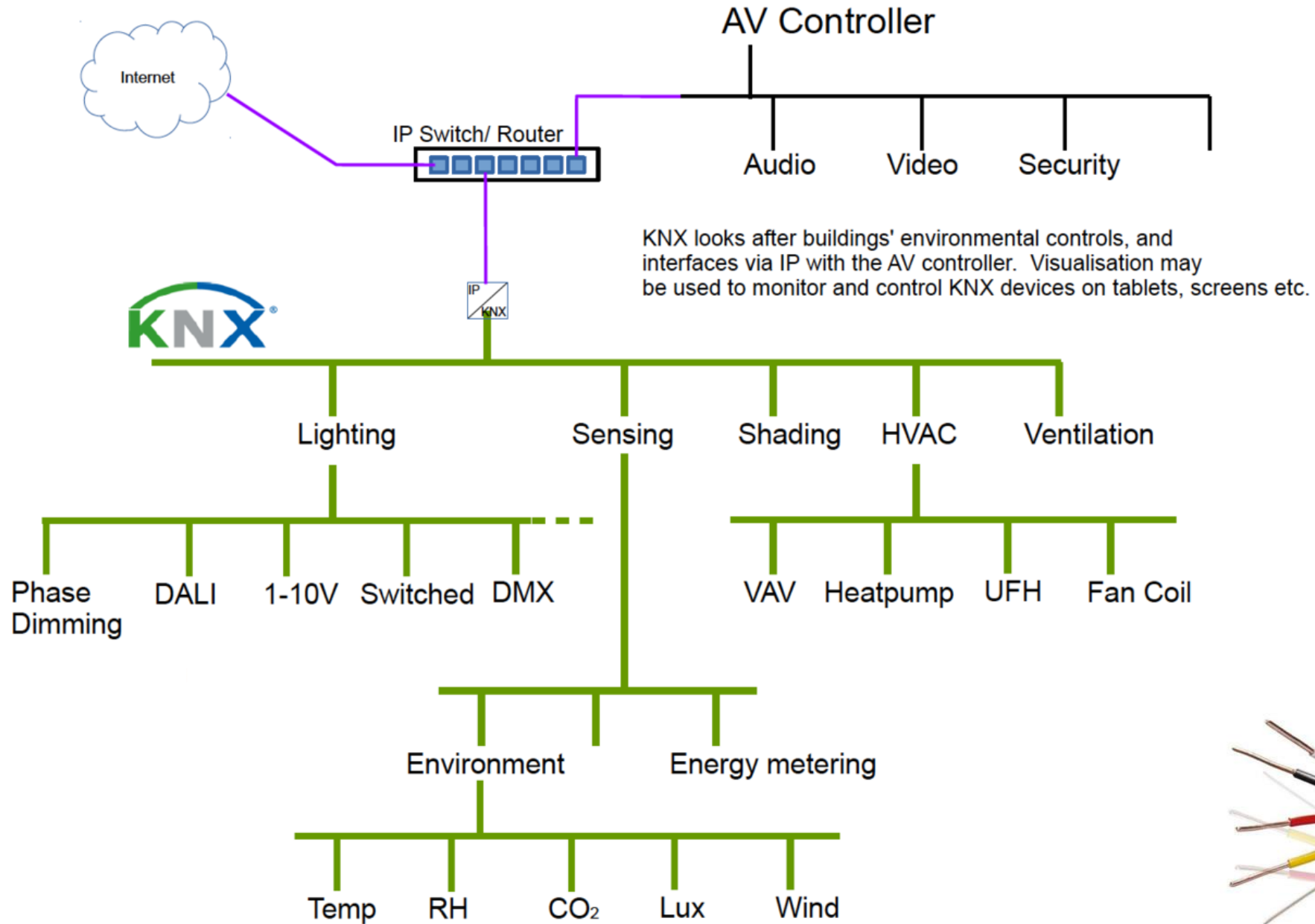


Do you want to save energy?
Control and monitoring of energy consumption
from smartphones and tablets.

High performance and energy efficient buildings.

- Estimation of power consumption.
- Real electricity measurement (energy and power) in kW and cost.
- Consumption measure of water and/or gas (volume and flow rate).
- Measurement of instantaneous electric power, energy consumption, CO2 emissions, cost estimation of three monophasic circuits.
- Historic values of minimum, medium, and maximum last year consumption.
- Alerts and deactivation devices if consumption exceeds.

Hierarchy of systems – an example



KNX System

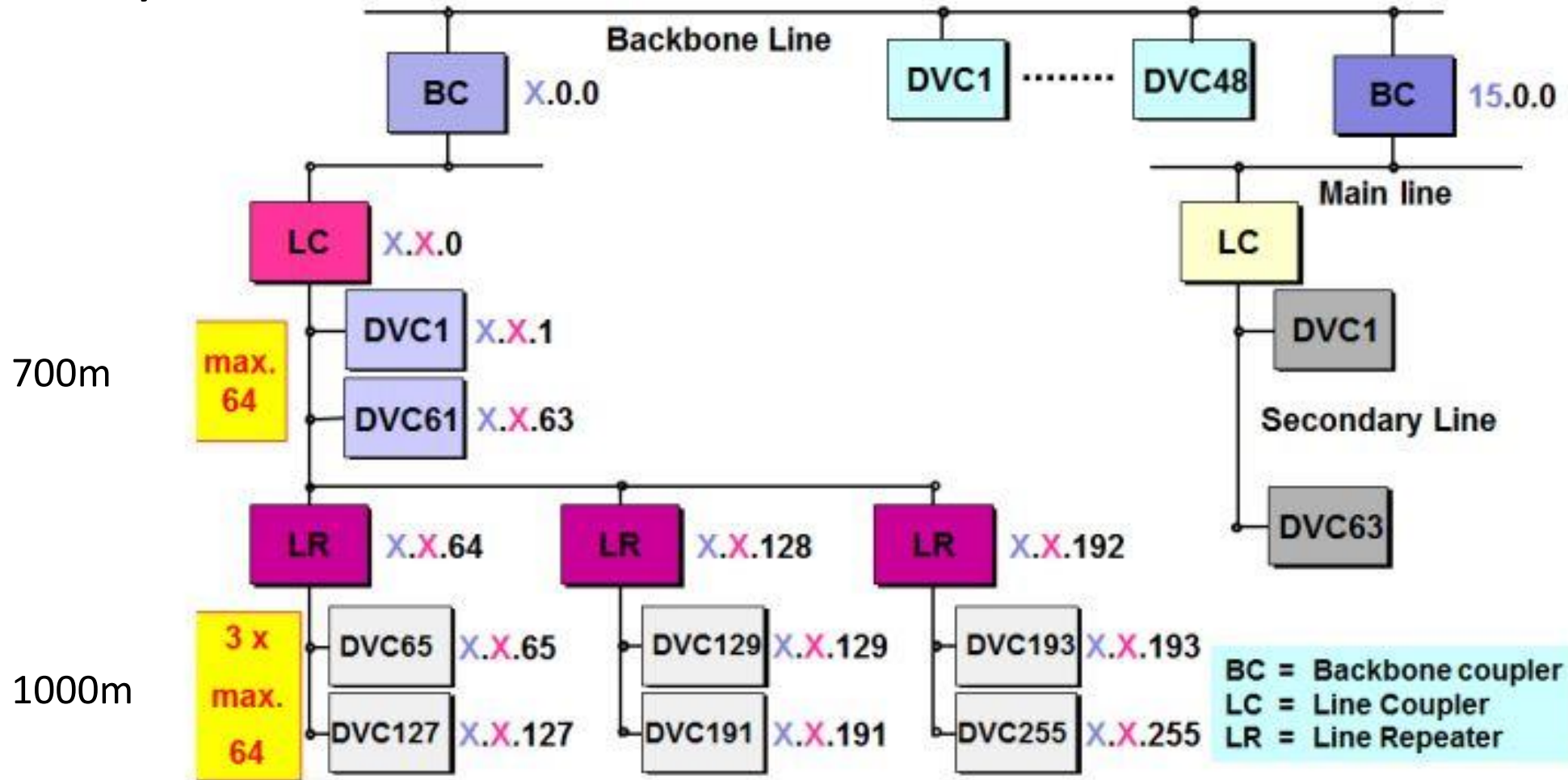
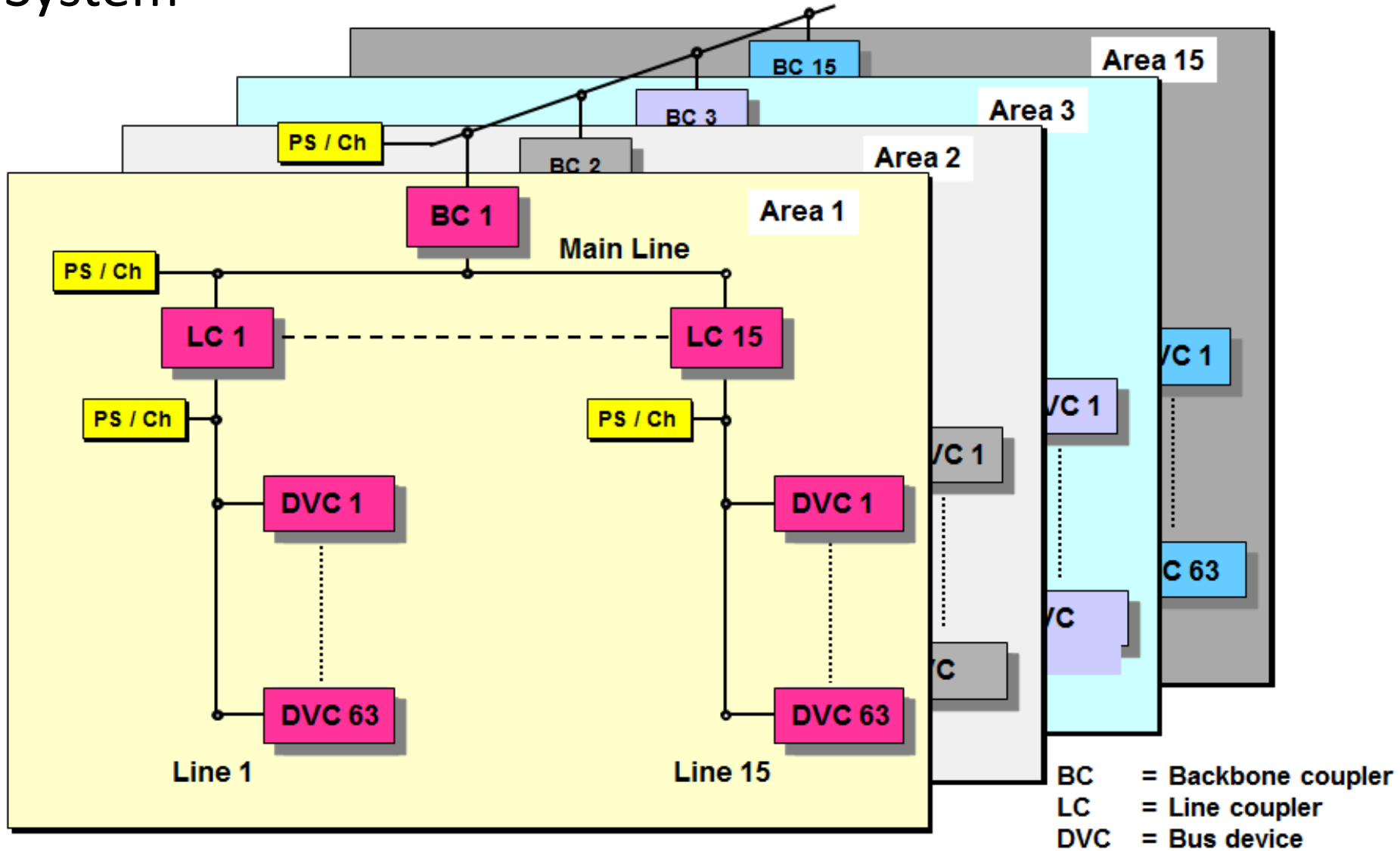


Figure 1: Maximum topological size of a KNX TP installation

A line can consist of 255 devices maximum
An area can consist of 15 lines: $255 \times 15 = 3825$ devices

KNX System



In 15 areas we can have up to 58 000 devices