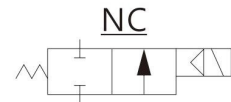
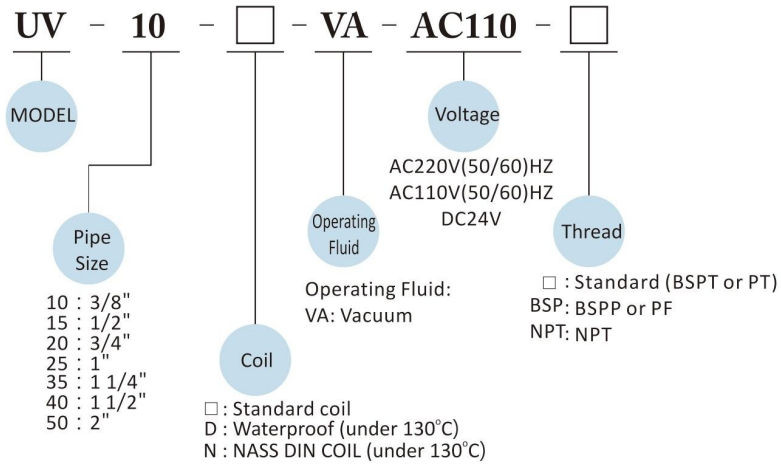


UV-10~50



UD Series

PRODUCT DESCRIPTION

- UV series is direct, multiplex, connected diaphragm, conductive and normally closed (NC) 2/2 way solenoid valve.
- Able to be operated directly without pressure
- Availability of fluid type: vacuum

CAUTIONS:

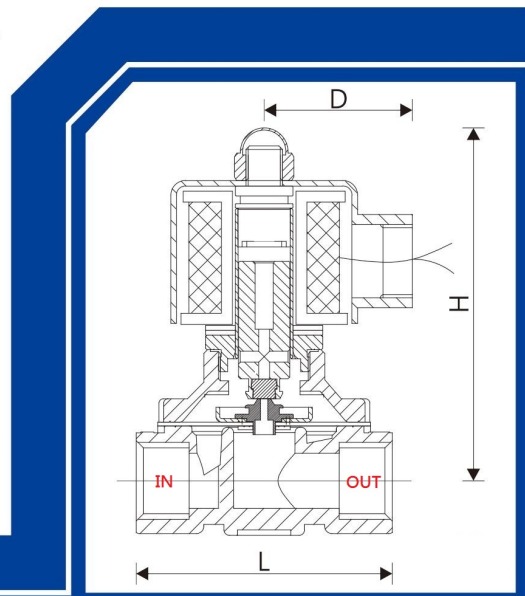
- Before pipelining, the pipe line must be very clean without any contaminants or any other things not ought to be existed.
- To prolong the life time of the product, Y-line filter should be installed in the front end of solenoid valve.
- AC voltage tolerance: ± 10%; DC voltage tolerance: ± 1%
- It should be installed horizontally; vertical installation is not advisable.

Not Suitable For Fluid As Below:

- Liquid status when it is high temperature; solid status when it is cool.
- Corrosive fluid
- Viscosity over 20cst

MATERIAL:

PARTS	Coil	Tube	Spring	Core	Plug	Diaphragm	Valve body
MATERIAL	Special copper wire (H class)	Stainless steel	Stainless steel	Stainless steel	NBR	NBR	Forged Brass



SPECIFICATION

MODEL	Waterproof DIN/flying lead Coil	NASS DIN Coil (IP65)	PIPE SIZE	CV	ORIFICE	FLUID TEMP. (°C)	Operating Pressure kgf / cm ² (bar)					Vacuum (Torr)	Dimension (mm)			Weight (kg)
							Water	Air	Steam	Light oil	Gas		L	H	D	
UV-10	●	●	3/8"	4.5	15mm	-5°C ~ +80°C						0~10 ⁻³	70	100	48	1.01
UV-15	●	●	1/2"	4.5	15mm	-5°C ~ +80°C						0~10 ⁻³	70	100	48	1
UV-20	●	●	3/4"	8.6	20mm	-5°C ~ +80°C						0~10 ⁻³	73	102	48	1.13
UV-25	●	●	1"	12	25mm	-5°C ~ +80°C						0~10 ⁻³	100	112	48	1.7
UV-35	●	●	1 1/4"	24	35mm	-5°C ~ +80°C						0~10 ⁻³	125	113	48	2.32
UV-40	●	●	1 1/2"	28	40mm	-5°C ~ +80°C						0~10 ⁻³	125	118	48	2.53
UV-50	●	●	2"	48	50mm	-5°C ~ +80°C						0~10 ⁻³	167	125	48	4.32