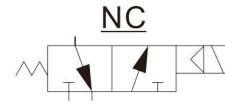
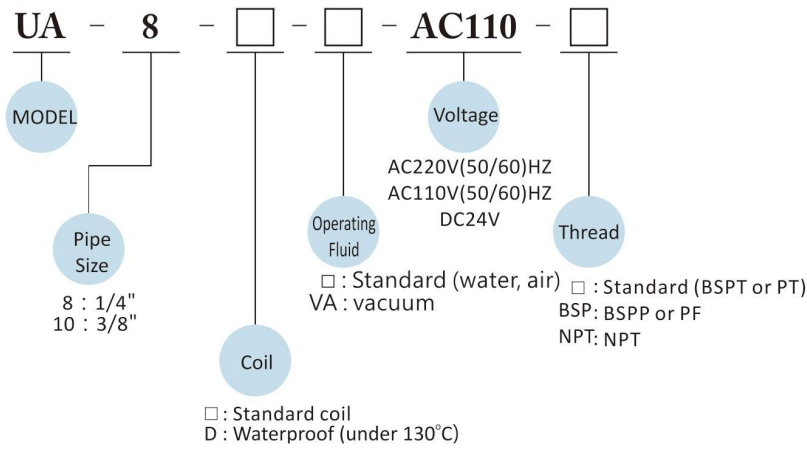


UA-8~10

UD Series



PRODUCT DESCRIPTION

- UA series is direct-acting, conductive, and normally closed (NC) 3/2 way solenoid valve.
- Availability of fluid type: water, air, vacuum
- Able to be operated directly without pressure
- Applicable for exhausting facility, ex: Air cylinder after power-off
- Acceptable for customization- Viton (130°C) plug

CAUTIONS:

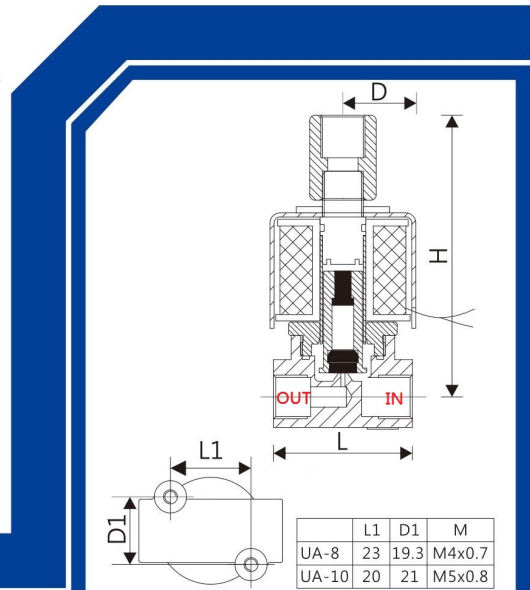
- Before pipelining, the pipe line must be very clean without any contaminants or any other things not ought to be existed.
- To prolong the life time of the product, Y-line filter should be installed in the front end of solenoid valve.
- AC voltage tolerance: ± 10%; DC voltage tolerance: ± 1%
- It should be installed horizontally; vertical installation is not advisable.

Not Suitable For Fluid As Below:

- Liquid status when it is high temperature; solid status when it is cool.
- Corrosive fluid
- Viscosity over 20cst

MATERIAL:

PARTS	Coil	Tube	Spring	Core	Plug	O-ring	Valve body
MATERIAL	Special copper wire (H class)	Stainless steel	Stainless steel	Stainless steel	NBR (Viton, Silicone, PTFE)	NBR (PTFE)	Forged Brass



SPECIFICATION

MODEL	Waterproof DIN/flying lead Coil	NASS DIN Coil (IP65)	PIPE SIZE	CV	ORIFICE	FLUID TEMP. (°C)	Operating Pressure kgf / cm ² (bar)					Vacuum (Torr)	Dimension (mm)			Weight (kg)
							Water	Air	Steam	Light oil	Gas		L	H	D	
UA-8			1/4"	0.1	1.2mm	-5°C ~ +80°C	0~10	0~10				0~10 ⁻³	41	87	21.5	0.38
UA-10	●		3/8"	0.12	1.5mm	-5°C ~ +80°C	0~10	0~10				0~10 ⁻³	53	93	48	0.57