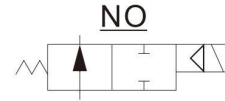
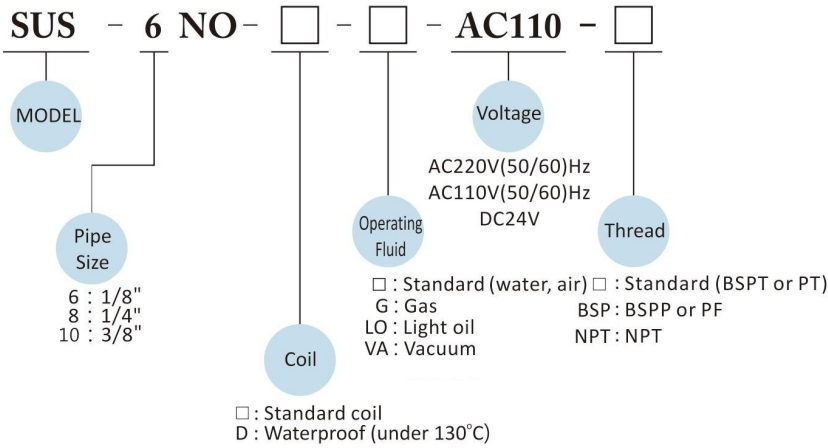


SUS-6 NO~10NO



PRODUCT DESCRIPTION

- SUS-NO series is direct-acting, conductive, and normally open (NO) 2/2 way solenoid valve.
- Able to be operated directly without pressure
- Availability of fluid type: water, air, light fuel, gas, vacuum
- Acceptable for customize Viton (130°C) , Silicone (130°C) and EPDM (130°C) for plug

CAUTIONS:

- Before pipelining, the pipe line must be very clean without any contaminants or any other things not ought to be existed.
- To prolong the life time of the product, Y-type filter at the front end of solenoid valve.
- AC voltage tolerance: ± 10%; DC voltage tolerance: ± 1%
- It should be installed horizontally; vertical installation is not advisable.

Not Suitable For Fluid As Below:

- Liquid status when it is high temperature solid status when cool.
- Corrosive fluid
- Viscosity over 50cst

MATERIAL:

PARTS	Coil	Tube	Spring	Core	Plug	O-ring	Valve body
MATERIAL	Special copper wire (H class)	Stainless steel	Stainless steel	Stainless steel	VITON	NBR	Stainless steel

Normally Open Type

SPECIFICATION

MODEL	Waterproof DIN/flying lead Coil	NASS DIN Coil (IP65)	PIPE SIZE	CV	ORIFICE	FLUID TEMP. (°C)	Operating Pressure kgf / cm ² (bar)					Vacuum (Torr)	Dimension (mm)			Weight (kg)
							Water	Air	Steam	Light oil	Gas		L	H	D	
SUS-6 NO			1/8"	0.23	2.5mm	-5°C ~ +130°C	0~7	0~7		0~7	0~7	0~10 ⁻³	41	87	21.5	0.34
SUS-8 NO			1/4"	0.23	2.5mm	-5°C ~ +130°C	0~7	0~7		0~7	0~7	0~10 ⁻³	41	87	21.5	0.33
SUS-10 NO	●		3/8"	0.58	4mm	-5°C ~ +130°C	0~10	0~10		0~7	0~10	0~10 ⁻³	53	105	48	0.54

