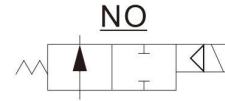
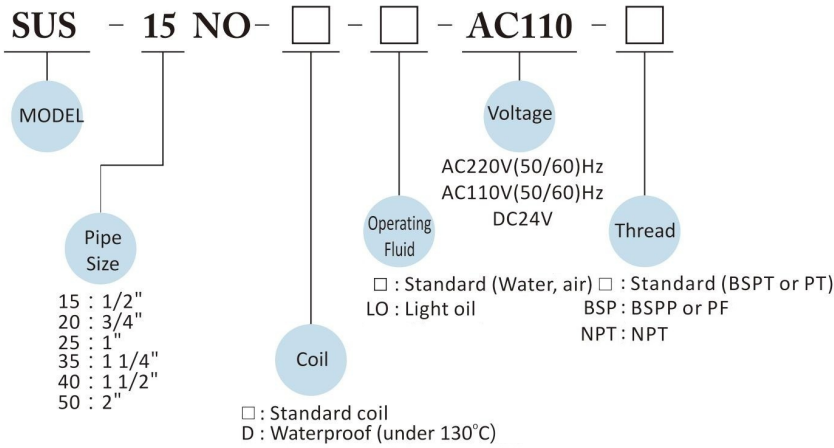


SUS-15NO~50NO



PRODUCT DESCRIPTION

- SUS-NO series is multiplex, pilot operated piston, conductive and normally open (NO) 2/2 way solenoid valve.
- Specially suitable for frequently operated
- Availability of fluid type: water, air, steam, light oil
- Acceptable for customize Viton , Silicone and EPDM for plug

CAUTIONS:

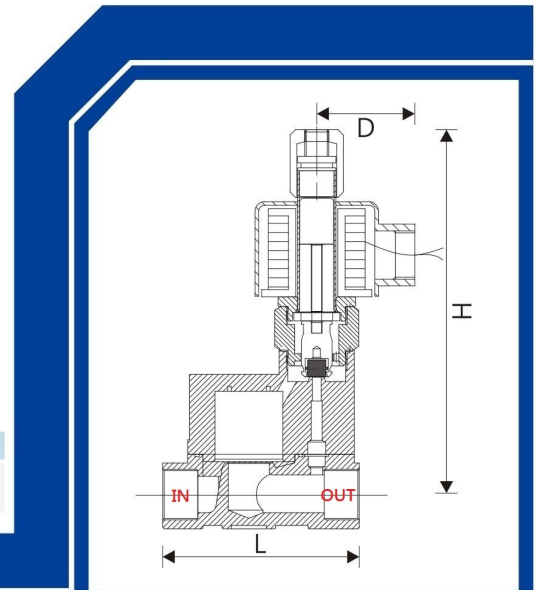
- Minimum pressure to close : over 0.5kgf-cm²
- Before pipelining, the pipe line must be very clean without any contaminants or any other things not ought to be existed.
- To prolong the life time of the product, Y-type filter at the front end of solenoid valve.
- AC voltage tolerance: ± 10%; DC voltage tolerance: ± 1%
- It should be installed horizontally; vertical installation is not advisable.

Not Suitable For Fluid As Below:

- Liquid status when it is high temperature solid status when cool.
- Corrosive fluid
- Viscosity over 20 cst

MATERIAL:

PARTS	Coil	Tube	Spring	Core	Plug	Piston Spring	Piston	Piston plug	Valve body
MATERIAL	Special copper wire (H class)	Stainless steel	Stainless steel	Stainless steel	VITON	Stainless steel	Stainless steel	PTFE	Stainless steel



SPECIFICATION

MODEL	Waterproof DIN/flying lead Coil	NASS DIN Coil (IP65)	PIPE SIZE	CV	ORIFICE	FLUID TEMP. (°C)	Operating Pressure kgf / cm ² (bar)					Dimension (mm)			Weight (kg)
							Water	Air	Steam	Light oil	Gas	L	H	D	
SUS-15 NO	●		1/2"	4.0	17mm	-5°C ~ +130°C	0.5~10	0.5~10		0.5~8		84	147	48	1.52
SUS-20 NO	●		3/4"	6.0	17mm	-5°C ~ +130°C	0.5~10	0.5~10		0.5~8		84	151	48	1.58
SUS-25 NO	●		1"	12	22mm	-5°C ~ +130°C	0.5~10	0.5~10		0.5~8		98	162	48	2
SUS-35 NO	●		1 1/4"	18	30mm	-5°C ~ +130°C	1~10	1~10		0.5~8		123	173	48	2.8
SUS-40 NO	●		1 1/2"	22	30mm	-5°C ~ +130°C	1~10	1~10		0.5~8		123	175	48	2.9
SUS-50 NO	●		2"	48	50mm	-5°C ~ +130°C	1~8	1~8		0.5~8		167	203	48	5.7

Normally Open Type