



Analog timer

P992364

PRESENTATION:

The analog timer is a plug-on controller specially design for drain valves. The draining time can be set with the "ON" trimmer between 0.5 and 10 seconds. The "OFF" trimmer allows to adjust the delay time between two draining cycles from 0.5 to 45 minutes. The unit is ready to control the valve as soon as the power is switched on. The ON/OFF sequence will be repeated so long as the unit is fed. Two LEDs indicate the output status. A "TEST" button is provided to check the cycle settings and to restart the control sequence from the output status "ON".

USE:

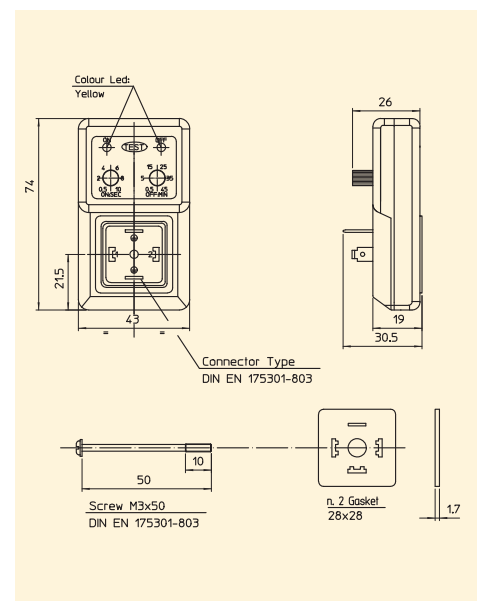
Condensate drain systems control
Timed systems.

TECHNICAL DATA:

Supply voltage:	24 to 240V AC/DC $\pm 10\%$ 50/60Hz
Current consumption	4mA Max.
Operating temperature	-10°C +50°C
Environmental protection	assembled IP 65, NEMA IV
Switch capacity	1 Amp
Inrush current	10 Amps for 10mSec.
Duty cycles	100%
Repeat accuracy	$\pm 1\%$
Scale accuracy	$\pm 10\%$
Reset/test	Manual touch switch
Printed circuit board	UL 94V-0
Connection	EN 175301-803
On time	0.5 to 10 seconds
Off time 0.5 to 45 minutes	0.5 to 45 minutes
Indicators	Led
Design standard	DIN EN 60664-1; VDE 0110-1
Approvals	CE CSA UL Recognized

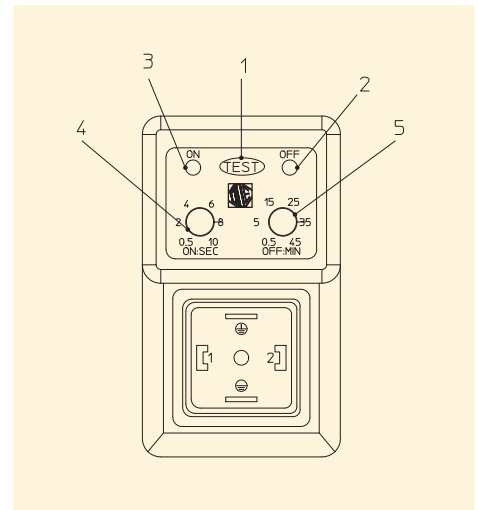


DIMENSIONS:



DESCRIPTION:

- | | |
|-----------------------------|-----------------------|
| 1. Test button | |
| 2. Yellow Led: | output power "OFF" |
| 3. Yellow Led: | output power "ON" |
| 4. Trimmer "ON": regulation | time "ON" |
| 5. Trimmer "OFF": pause | time regulation "OFF" |



Note

The timer is supplied with a n. 2 seals and a locking screw.

The "ODE" reserves the right to carry out technical and aesthetic modifications without prior notification.