

THE COMPLETE SOLUTION FOR

# POWER GENERATORS

GENERAL CATALOGUE • VALVES & PARTS

1st EDITION

QUALITY PRODUCTS



**Hydraulics  
Depot  
Inc.**

**PREMIUM FLUID  
CONTROL  
SOLUTIONS**

## THE COMPLETE SOLUTION

### POWER GENERATORS



Certain valves may not be depicted in the image above. Please reach out to us for further information.

## DESCRIPTION

These solenoid valves are engineered for exceptional reliability, even in the most challenging working conditions. Its generous passage size minimizes pressure loss. **Crafted with a robust die-cast aluminum structure**, Viton sealing components, and fluid-contact parts made of brass and stainless steel, **it guarantees durability and longevity.**

It operates exclusively when powered, setting it apart from membrane servo-controlled models. Notably, it excels in continuous operation, even in loop circuits with pressure differentials ranging from 0 to 8 bar. Its rapid opening and closing capabilities make it an ideal choice for applications requiring precise fluid dosing.

Furthermore, it complies with various directives, including PED Directive 2014/68/EU, EMC Directive 2014/30/EU, LVD Directive 2014/35/EU, and RoHS II Directive 2011/65/EU, **ensuring its adherence to essential safety and environmental standards.**

## PRODUCT SERIES

### ODE

- MD01 Series
- MD22 Series
- MD24 Series



**ODE**  
DIRECT ACTING | 2/2 WAY  
GAS SOLENOID VALVES

With a robust construction, these valves are built to withstand demanding industrial environments, ensuring long-lasting performance and reliability. ODE's range of valves boasts precise flow control, providing optimal performance high efficiency in power generators.

**CERTIFICATIONS**



**TECHNICAL SPECIFICATIONS**

Product Code	Pipe Size	Direction	Min. Pressure	Max Pressure
MD01G05A1B020-A31A	3/4" BSP	N.O	0 bar	0.5 bar
MD22N05C4B020-C05N	3/4" NPT	N.C	0 bar	0.36 bar
MD22N07C4B032-D27N	1-1/4" NPT	N.C	0 bar	0.36 bar
MD22N08C4B040-D27N	1-1/2" NPT	N.O	0 bar	0.36 bar
MD22N06C4B025-C26N	1" NPT	N.C	0 bar	0.36 bar
MD22N09C4B050-D27N	2" NPT	N.C	0 bar	0.36 bar
MD22N04C4B015-C05N	1/2" NPT	N.C	0 bar	0.36 bar
MD24N04C4B015-C64D	1/2" NPT	N.C	0 bar	1 bar
MD24G04C4B015-C75D	1/2" BSP	N.C	0 bar	1 bar

**i** Maximum pressure is depicted by the highest pressure configuration. Other configurations are available. Please reach out to us for further information.

**MATERIAL**

Body Material Aluminium

Available Seals B=NBR (Nitrile Rubber)

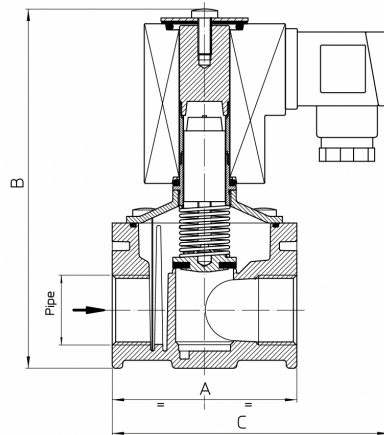
**FEATURES**

- Superior Quality
- High Mechanical Performance
- Enhanced Pressure Resis-
- Wide Chemical Compatibility

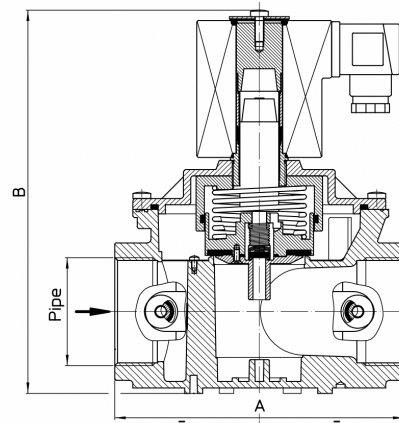
**MD21-MD23**

Dimensions [mm]			Drawing Reference
A	B	C	
70	136	103	1
70	136	103	1
70	136	103	1
160	187	-	2
160	187	-	2
160	213	-	2
70	136	105	1
70	136	105	1
70	136	105	1
160	213	-	2
160	213	-	2
160	213	-	2
160	213	-	2
160	213	-	2
160	213	-	2

**1** Drawing Reference



**2** Drawing Reference



\*More options available by visiting our website.



138-13085 Yonge St. BLDG 19  
Richmond Hill, ON L4E 0K2 Canada

**Tel:** 1-800-936-2819

**Fax:** 888-745-6559

**E-mail:** [contact@hydronicsdepotinc.com](mailto:contact@hydronicsdepotinc.com)

**Web:** [www.hydronicsdepotinc.com](http://www.hydronicsdepotinc.com)

Looking to be a **distributor**? Get in touch with our sales team.

