



COILS 52 mm x Ø 13 mm

GDH14018CS
÷
GDH14077CS

COIL **GDH**

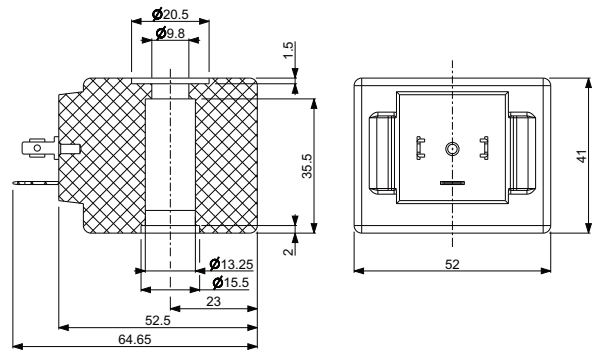
Coil housing material: PPS - Black polyphenylene sulfide - class N (200°C)

Winding: In class N

Electrical connections: With connector EN 175301-803 paragraph 5.3.1

Protection degree IP 65 EN 60529 (DIN 40050)

COIL HOUSING AND COIL FORMER MATERIAL ARE MADE BY 100% VIRGIN MATERIAL.



MATERIAL ON STOCK:

Code	Power	Voltages Frequency	ED	Ambient temperature	Approvals
GDH14018CS	7-23 W	18-32 ~	100%	-20 + 70°C	CE
GDH14077CS	7-24 W	77-138 ~	100%	-20 + 70°C	CE

The power values are indicative, as they change as a function of magnetic kit used, from ambient temperature and of the application sector of reference | Other voltages and power absorptions available on demand and for quantities.

The "ODE" reserves the right to carry out technical and aesthetic modifications without prior notice.