



LATCHING COILS 30 mm x Ø 13 mm

BDA
LATCHING COILS

COIL **BDA** Coil housing material: PA - Black polyamide - class F (155°C)

Winding: In class H

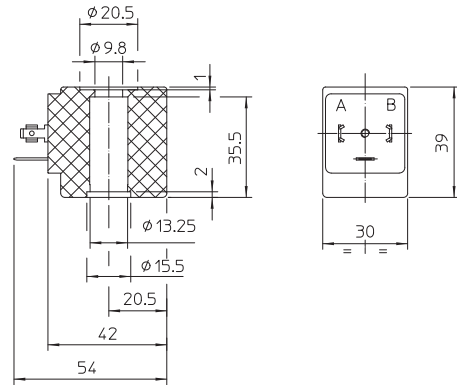
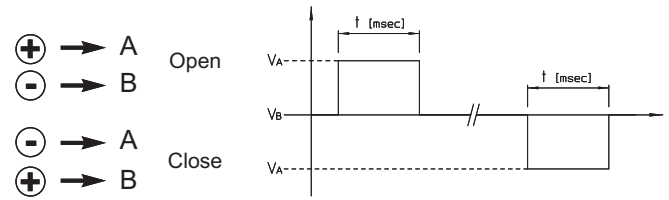
Electrical connections: With connector EN 175301-803 paragraph 5.3.1
Protection degree IP 65 EN 60529 (DIN 40050)

COIL HOUSING AND COIL FORMER MATERIAL ARE MADE BY 100% VIRGIN MATERIAL.

TECHNICAL OPERATING DATA:

- Impulse feed from 4,5 to 24 Volts for a period lasting from 20 to 100 ms.

NOTE: To ensure correct operation the fluid should be filtered to eliminate all traces of impurity subject to magnetic attraction, which would inevitably deposit on the cores of the solenoid valve, which are always magnetized, causing the formation of oxide as well as contact problem.



MATERIAL ON STOCK

Code	Power	Voltages	Ambient temperature
BDA1X004LS	1,5 W	V 4,5	- 10°C + 60°C
BDA2X006LS	2,5 W	V 6	- 10°C + 60°C
BDA05006LS	5 W	V 6	- 10°C + 60°C
BDA05009LS	5 W	V 9	- 10°C + 60°C
BDA1X006LS	1,5 W	V 6	- 10°C + 60°C
BDA2X009LS	2,5 W	V 9	- 10°C + 60°C
BDA05012LS	5 W	V 12	- 10°C + 60°C
BDA1X009LS	1,5 W	V 9	- 10°C + 60°C
BDA2X012LS	2,5 W	V 12	- 10°C + 60°C
BDA10024LS	10 W	V 24	- 10°C + 60°C
BDA1X012LS	1,5 W	V 12	- 10°C + 60°C
BDA05024LS	5 W	V 24	- 10°C + 60°C

NOMINAL VOLTAGE TOLERANCES: DC + 10% - 5%

The power values are indicative, as they change as a function of magnetic kit used and of the application sector of reference

The "ODE " reserves the right to carry out technical and aesthetic modifications without prior notice.