



# Solenoid valve 3/2 way N.C. - Universal Direct acting

31LN2F0V15-U

## PRESENTATION:

Direct acting S.V. for interception of fluids compatible with the construction materials.  
Minimum operational pressure is not required.  
The materials used and the tests carried out ensure maximum reliability and duration.

**USE:** Automation  
Heating

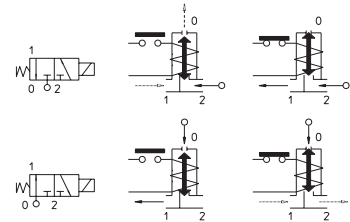
**PIPES:** 1/4 NPT

**COILS:** 8W - Ø 13  
BDA - BSA 155°C (class F)  
BDV 180°C (class H)

Max. allowable pressure (PS) 40 bar  
Ambient temperature:  
See coils catalogue page for its compatibility.



Gasket	Temperature		Medium
V=FKM (fluoroelastomer)	- 10°C	+ 140°C	Mineral oils (2°E), gasoline gas oil, fuel oils (7°E)

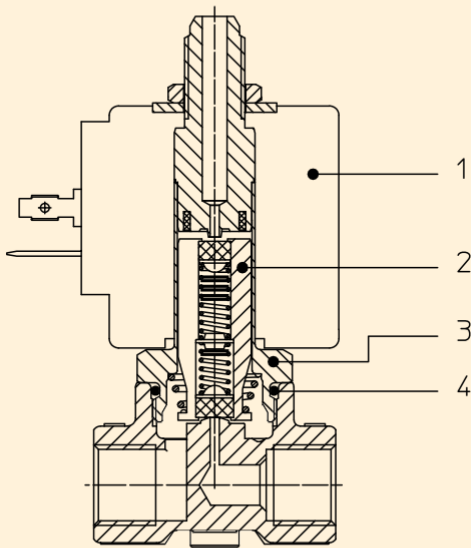


Pipe ISO 228/1	Code	Max viscosity		Ø mm	Kv l/mn	Power watt	Pressure		
		cSt	°E				min bar	M.O.P.D. AC bar DC bar	
1/4 NPT	31LN2F0V15-U	12	~2	1,5*	1,4	8	0	10	10

### Note

\* 3rd way exhaust= Ø 1,5 mm | Available on request and with minimum quantities.

The "ODE" reserves the right to carry out technical and aesthetic modifications without prior notice.



**MATERIALS:**

<b>Body</b>	Stainless steel AISI 316
<b>Armature tube</b>	Stainless steel AISI series 300
<b>Fixed core</b>	Stainless steel AISI series 400
<b>Plunger</b>	Stainless steel AISI series 400
<b>Phase displacement ring</b>	Gold plated copper
<b>Spring</b>	Stainless steel AISI series 300
<b>Seal</b>	V=FKM
<b>Orifice</b>	Stainless steel AISI 316

**On request:**

<b>Connector</b>	Pg 9 or Pg 11
<b>Connector conformity</b>	ISO 4400

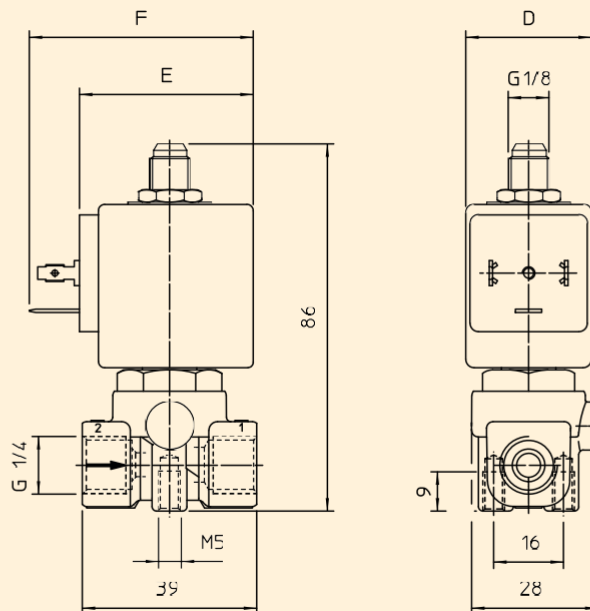
**FEATURES:**

<b>Electrical conformity</b>	IEC 335
<b>Protection degree</b>	IP 65 EN 60529 (DIN 40050) with coil fitted by connector

**SPARE PARTS:**

- 1. Coil:**  
See coils list
- 2. Complete plunger:**  
Code R451753/V
- 3. Complete armature tube:**  
Code R452371
- 4. Gasket O-Ring:**  
Code R990000/V

**DIMENSIONI:**



COIL TYPE	POWER ABSORPTION			DIMENSIONS		
	W —	Hold VA ~	Inrush VA ~	D mm	E mm	F mm
B	8	14,5	25	30	42	54