



Solenoid valve 3/2 way N.C. Direct acting

31LN2A1 V15
÷
31LN2A1 V30

PRESENTATION:

Direct acting S.V. for interception of fluids compatible with the construction materials.
Minimum operational pressure is not required.
The materials used and the tests carried out ensure maximum reliability and duration.

USE: Automation
Heating

PIPES: 1/4 NPT

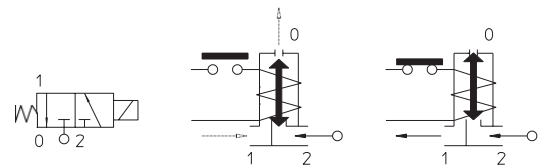
COILS: 8W - Ø 13
BDA - BSA 155°C (class F)
BDV 180°C (class H)

COIL HOUSING AND COIL FORMER MATERIAL ARE MADE BY 100% VIRGIN MATERIAL.

Max. allowable pressure (PS) 40 bar
Ambient temperature:
See coils catalogue page for its compatibility.



Gasket	Temperature	Medium
V=FKM (fluoroelastomer)	- 10°C + 140°C	Mineral oils (2°E), gasoline gas oil, fuel oils (7°E)



Pipe ISO 228/1	Code	Max viscosity		Ø mm	Kv l/mn	Power watt	Pressure		
		cSt	°E				min bar	M.O.P.D. AC bar DC bar	
1/4 NPT	31LN2A1 V15	12	~ 2	1,5*	1,4	8	0	15	15
	31LN2A1 V30	53	~ 7	3*	4			5	5

Note

* 3rd way exhaust= Ø 2,5 mm

The "ODE" reserves the right to carry out technical and aesthetic modifications without prior notice.

MATERIALS :

Body	Stainless steel AISI 316
Armature tube	Stainless steel AISI series 300
Fixed core	Stainless steel AISI series 400
Plunger	Stainless steel AISI series 400
Phase displacement ring	Gold plated copper
Spring	Stainless steel AISI series 300
Seal	V=FKM
Orifice	Stainless steel AISI 316

On request:

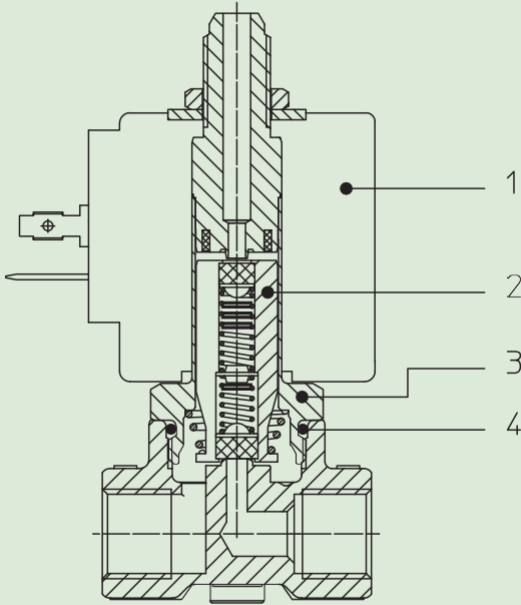
Connector	Pg 9 or Pg 11
Connector conformity	ISO 4400

FEAUTURES:

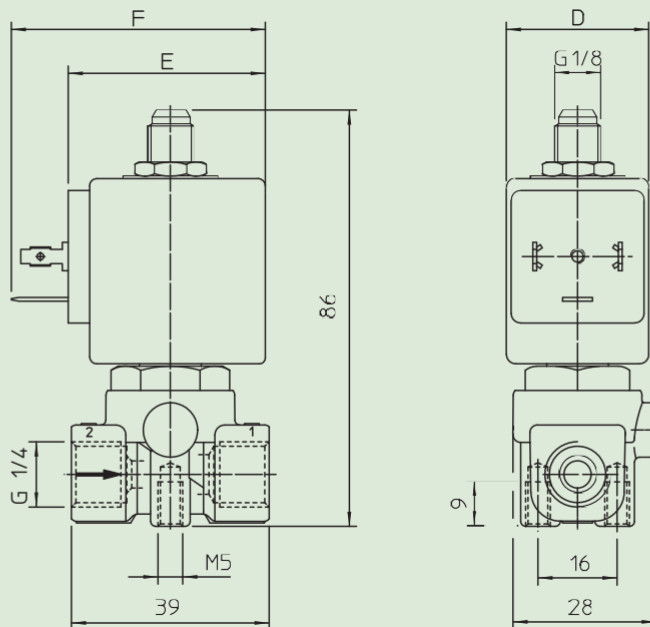
Electrical conformity	IEC 335
Protection degree	IP 65 EN 60529 (DIN 40050) with coil fitted by connector.

SPARE PARTS:

- | | |
|-----------------------------------|-----------------------------|
| 1. Coil: | KIT: |
| See coils list | KT130A1 V30-H= 2+3+4 |
| 2. Complete plunger: | |
| Code R45865/VX | |
| 3. Complete armature tube: | |
| Code R450864/D | |
| 4. Gasket O-Ring: | |
| Code R990000/VX | |



DIMENSIONS:



COIL TYPE	POWER ABSORPTION			DIMENSIONS		
	W =	Hold VA ~	Inrush VA ~	D mm	E mm	F mm
B	8	14,5	25	30	42	54