



Solenoid valve 3/2 way N.C. Direct acting- manual operation

31AN2AV15-M

PRESENTATION:

Direct acting S.V. for interception of fluids compatible with the construction materials.
Minimum operational pressure is not required.
The materials used and the tests carried out ensure maximum reliability and duration.

USE: Automation
Heating

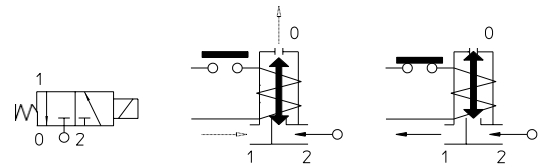
PIPES: 1/4 NPT

COILS: 8W - Ø 13
BDA - BSA 155°C (class F)
BDV 180°C (class H)
(1) Explosion-proof housing for coils with electrical connections EN 175301-803 on request



Max. allowable pressure (PS) 40 bar
Ambient temperature:
See coils catalogue page for its compatibility.

Gaskets	Temperature		Medium
V=FKM (fluoroelastomer)	- 10°C	+ 140°C	Mineral oils (2°E), gasoline gas oil

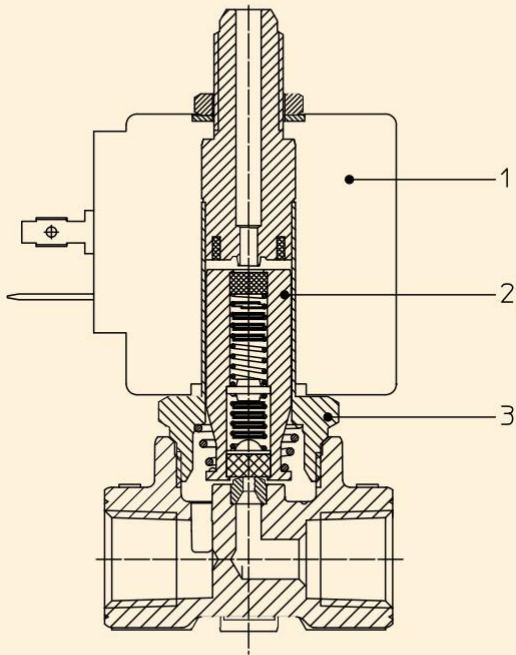


Pipe ANSI/ASME BI.20.1	Code	Max viscosity		Ø mm	Kv l/mn	Power watt	Pressure		
		cSt	°E				min bar	M.O.P.D. AC bar DC bar	
1/4 NPT	31AN2AV15-M	12	~ 2	1,5*	1,4	8	0	15	15

Note

* 3rd way exhaust= Ø 2,5 mm | Also available with brass body without lead | Available on request and with minimum quantities.

The "ODE" reserves the right to carry out technical and aesthetic modifications without prior notice.



MATERIALS:

Body	Brass - UNI EN 12165 CW617N
Armature tube	Stainless steel AISI series 300
Fixed core	Stainless steel AISI series 400
Plunger	Stainless steel AISI series 400
Phase displacement ring	Copper - Cu 99,9%
Spring	Stainless steel AISI series 300
Seal	V=FKM
Orifice: Insert slot	Stainless steel AISI series 300

On request:

Connector	Pg 9 or Pg 11
Connector conformity	ISO 4400

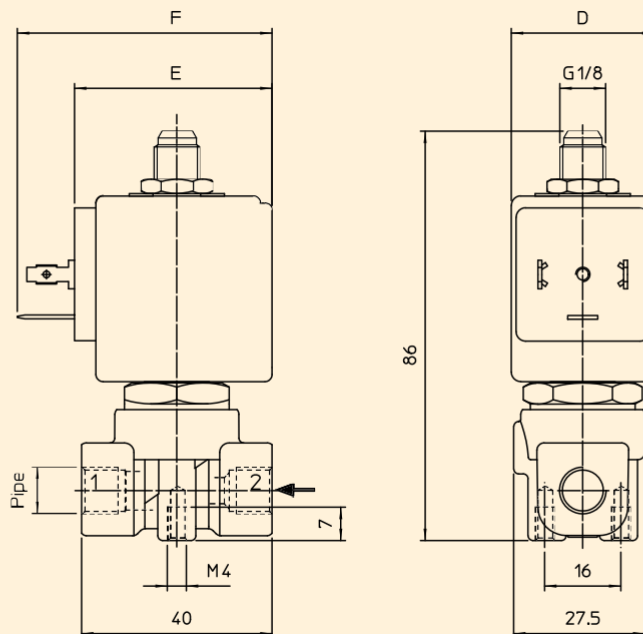
SPARE PARTS:

Electrical conformity	IEC 335
Protection degree	IP 65 EN 60529 (DIN 40050) with coil fitted by connector

SPARE PARTS:

- Coil:**
See coils list
KIT
KT130A V30-A=2+3
- Complete plunger:**
Code R450675/V
- Complete armature tube:**
Code R450944

DIMENSIONS:



COIL TYPE	POWER ABSORPTION			DIMENSIONS		
	W --	Hold VA ~	Inrush VA ~	D mm	E mm	F mm
B	8	14,5	25	30	42	54