



Solenoid valve 3/2 way - Universal Direct acting

31AN1GV10-U

÷

31AN2EV30-U

PRESENTATION:

Direct acting S.V. for interception of fluids compatible with the construction materials.

Minimum operational pressure is not required.

The materials used and the tests carried out ensure maximum reliability and duration

USE: Automation
Heating

PIPES: 1/8 NPT – 1/4 NPT

COILS: 8W - Ø 13
BDA - BSA 155°C (class F)
BDV 180°C (class H)

**COIL HOUSING AND COIL FORMER MATERIAL ARE
MADE BY 100% VIRGIN MATERIAL.**

Max. allowable pressure (PS) 40 bar

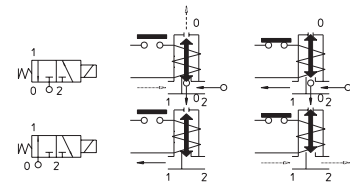
Ambient temperature:

See coils catalogue page for its compatibility.



Gaskets	Temperature		Medium
V=FKM (fluoroelastomer)	- 10°C	+140°C	Mineral oils (2°E), gasoline gas oil, fuel oils (7°E)
B=NBR (nitrile rubber)	- 10°C	+ 90°C	Air, inert gas, water

For seals other than FKM replace the letter "V" with the ones corresponding to the other seals. E.I. 31AN1FB15-U.



Pipe ISO 228/1	Code	Max viscosity		Ø mm	Kv l/mn	Power watt	Pressure		
		cSt	°E				min bar	M.O.P.D. AC bar DC bar	
1/8 NPT	31AN1GV10-U	12	~ 2	1*	0,8	8	0	18	18
	31AN1FV15-U			1,5*	1,4			10	10
	31AN1AV25-U	53	~ 7	2,5*	3,2			4	4
	31AN1EV30-U			3*	4			3,5	3,5
1/4 NPT	31AN2GV10-U	12	~ 2	1*	0,8	8	0	18	18
	31AN2FV15-U			1,5*	1,4			10	10
	31AN2AV25-U	53	~ 7	2,5*	3,2			4	4
	31AN2EV30-U			3*	4			3,5	3,5

Note

* 3rd way exhaust: 31A_GV Ø 1 mm
31A_FV Ø 1,5 mm
31A_AV Ø 2,5 mm
31A_EV Ø 3 mm

Also available with brass body without lead.

The "ODE" reserves the right to carry out technical and aesthetic modifications without prior notice.

MATERIALS:

Body Brass - UNI EN 12165 CW617N
Armature tube Stainless steel AISI series 300
Fixed core Stainless steel AISI series 400
Plunger Stainless steel AISI series 400
Phase displacement ring Copper - Cu 99,9%
Spring Stainless steel AISI series 300
Seal Standard: V=FKM
 On request: B=NBR
Orifice: Insert slot Stainless steel AISI series 300

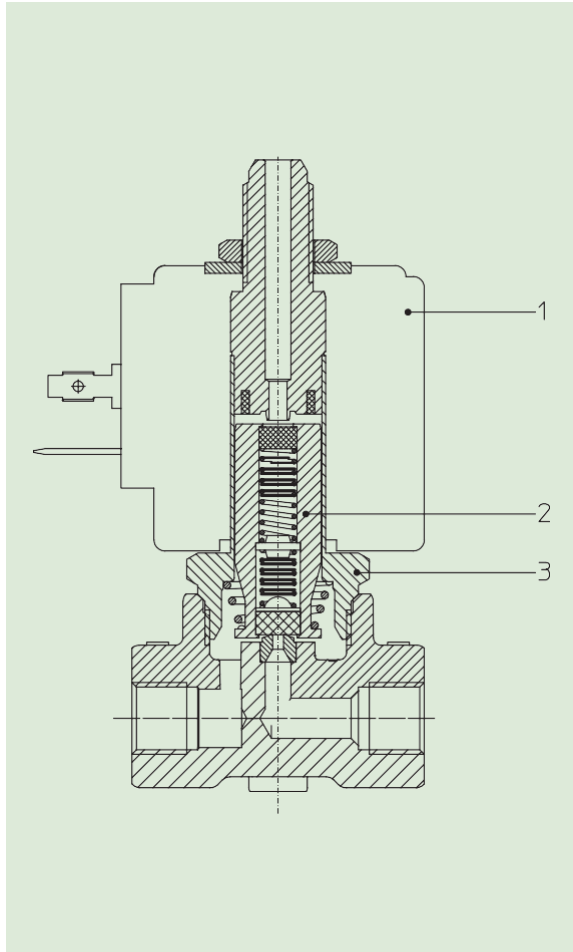
On request:
Connector Pg 9 or Pg 11
Connector conformity ISO 4400

FEATURES:

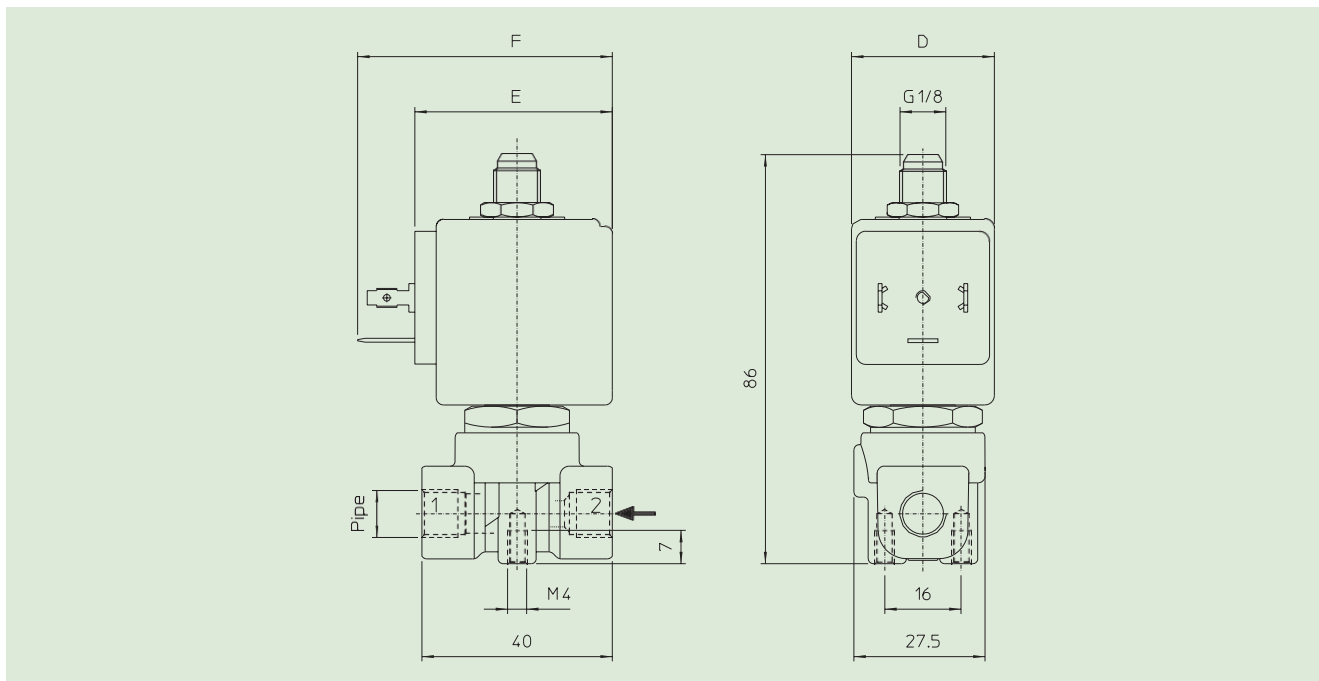
Electrical conformity IEC 335
Protection degree IP 65 EN 60529 (DIN 40050)
 with coil fitted by connector.

SPARE PARTS:

- 1. Coil:** Orifice=2,5 mm
 See coils list Code R450944
- 2. Complete plunger:** Orifice=3 mm
 Orifice \leq 2,5 mm Code R450689/V
 Orifice = 3 mm Code R451448/V
- 3. Complete armature tube:** Orifice=1 mm Code R450644
 Orifice=1,5 mm Code R450664



DIMENSIONS:



Type	Pipe ISO 228/1
31AN1_V	1/8 NPT
31AN2_V	1/4 NPT

COIL TYPE	POWER ABSORPTION			DIMENSIONS		
	W	Hold VA ~	Inrush VA ~	D mm	E mm	F mm
B	8	14,5	25	30	42	54