



Solenoid piston valve 2/2 way N.O. pilot control dampness-proof IP 67

21YN4Z0T130-YC

÷

21YN6Z0T250-YC

PRESENTATION:

S.V. with pilot control for interception of fluids compatible with the construction materials.

A minimum operational pressure of 0,9 bar is required.

The materials used and the tests carried out ensure maximum reliability and duration.

USE: Hot water, Steam

PIPES: 1/2 NPT - 1 NPT

COIL: 8W - Ø 13
BDV 180°C (class H)

COIL HOUSING AND COIL FORMER MATERIAL ARE MADE BY 100% VIRGIN MATERIAL.

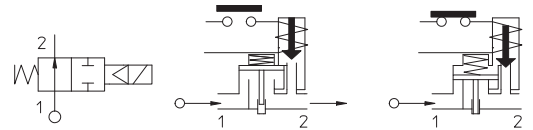
Max. allowable pressure (PS) 25 bar

Ambient temperature:

See coils catalogue page for its compatibility.



Gaskets	Temperature		Medium
	- 40°C	+180°C	
T=PTFE (polytetrafluorethylen)			Steam, hot water

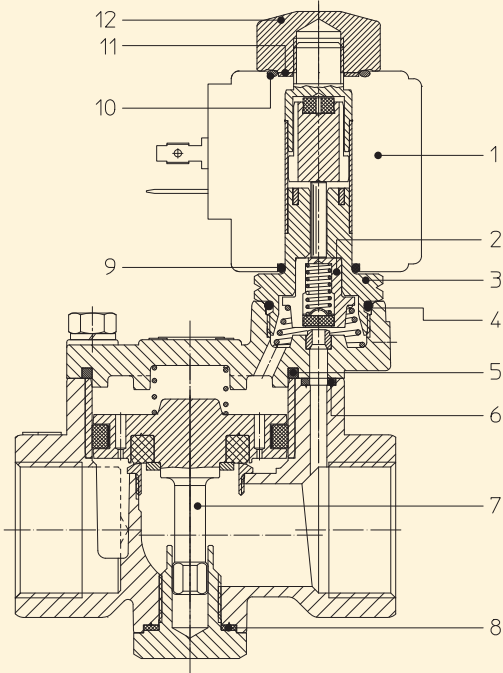


Pipe ANSI/ASME BI.20.1	Code	Max viscosity		Ø mm	Kv l/mn	Power watt	Pressure			
		cSt	°E				min bar	M.O.P.D.		
								AC bar	DC bar	
1/2 NPT	21YN4Z0T130-YC	-	-	13	50	8	0,9	10	10	
3/4 NPT	21YN5Z0T190-YC			19						90
1 NPT	21YN6Z0T250-YC			25						160

Note

For dampness-proof cup see catalogue page R453882/B+R453882/U | Available on request and with minimum quantities.

The "ODE" reserves the right to carry out technical and aesthetic modifications without prior notice.



MATERIALS:

Body	Brass - UNI EN 12165 CW617N
Armature tube	Stainless steel AISI series 300
Fixed core	Stainless steel AISI series 400
Plunger	Stainless steel AISI series 400
Phase displacement ring	Copper - Cu 99,9%
Spring	Stainless steel AISI series 300
Piston seal	Modified PTFE
Main seal	Glassfiber reinforced T=PTFE
Pilot seal	PTFE
Orifice	Brass - UNI EN 12165 CW617N

On request:

Connector	Pg 9 o Pg 11
Connector conformity	ISO 4400

FEATURES:

Electrical conformity	IEC 335
Protection degree	IP 67 EN 60529 (DIN 40050) with coil fitted by connector dedicated

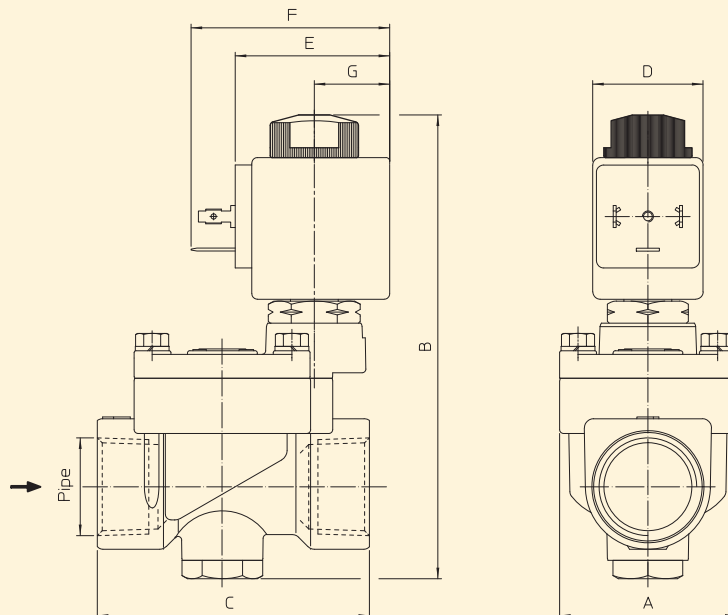
SPARE PARTS:

1. Coil: See coils list	3/4+1 NPT Code R450858
2. Diaphragm support: Code R450790	7. Complete piston: 1/2 NPT Code R453521 3/4 NPT Code R453528 1 NPT Code R453534
3. Complete armature tube without gasket: Code R453459	8. Gasket plug: 1/2 NPT Code R452609 3/4+1 NPT Code R452553
4. Gasket O-Ring: Code 990000/T	
5. Sealing ring: 1/2 NPT Code R452607 3/4 NPT Code R452551 1 NPT Code R452552	
6. Gasket cover: 1/2 NPT Code R452608	

KIT:

KT130ZT30-TGB=2+3+4+9+10+11+12

DIMENSIONS:



Type	Pipe	A mm	B mm	C mm
21YN4Z0T130-YC	1/2 NPT	40	107	65
21YN5Z0T190-YC	3/4 NPT	48	120	74
21YN6Z0T250-YC	1 NPT	62	130	93

COIL TYPE	POWER ABSORPTION	DIMENSIONS			
	W ==	D mm	E mm	F mm	G mm
B	8	30	42	54	20,5