



# Solenoid piston valve 2/2 way N.C. pilot control dampness-proof IP 67

21YN4K0T130-YC

÷

21YN6K0T250-YC

## PRESENTATION:

S.V. with pilot control for interception of fluids compatible with the construction materials.

A minimum operational pressure of 0,9 bar is required.

The materials used and the tests carried out ensure maximum reliability and duration.

**USE:** Hot water, Steam

**PIPES:** 1/2 NPT - 1 NPT

**COIL:** 8W - Ø 13  
BDV 180°C (class H)

**COIL HOUSING AND COIL FORMER MATERIAL ARE MADE BY 100% VIRGIN MATERIAL.**

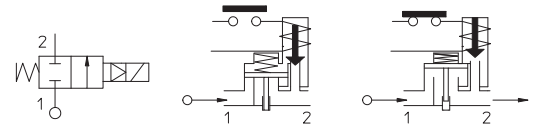
Max. allowable pressure (PS) 25 bar

Ambient temperature:

See coils catalogue page for its compatibility.



Gaskets	Temperature		Medium
	- 40°C	+180°C	
T=PTFE (polytetrafluorethylen)			Steam, hot water

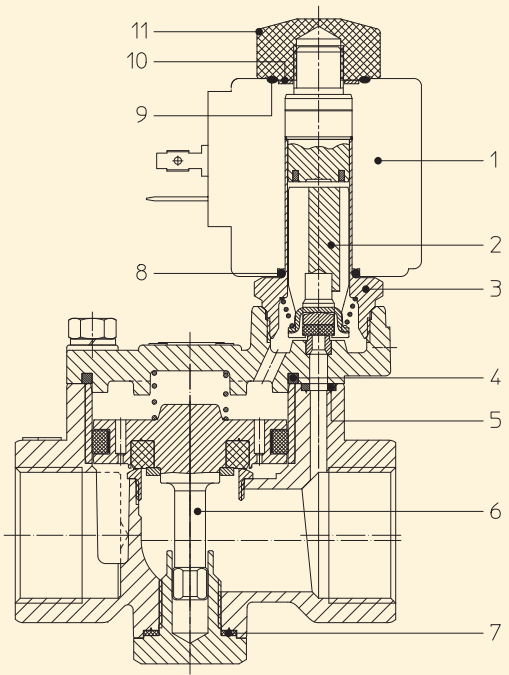


Pipe ANSI/ASME BI.20.1	Code	Max viscosity		Ø mm	Kv l/mn	Power watt	Pressure		
		cSt	°E				min bar	M.O.P.D.	
								AC bar	DC bar
1/2 NPT	21YN4K0T130-YC	-	-	13	50	8	0,9	10	10
3/4 NPT	21YN5K0T190-YC			19	90				
1 NPT	21YN6K0T250-YC			25	160				

## Note

For dampness-proof cup see catalogue page R453882/B+R453882/U | Available on request and with minimum quantities.

The "ODE" reserves the right to carry out technical and aesthetic modifications without prior notice.



**MATERIALS:**

- Body** Brass - UNI EN 12165 CW617N
- Armature tube** Stainless steel AISI series 300
- Fixed core** Stainless steel AISI series 400
- Plunger** Stainless steel AISI series 400
- Phase displacement ring** Copper - Cu 99,9%
- Spring** Stainless steel AISI series 300
- Piston seal** Modified PTFE
- Main seal** Glassfiber reinforced T=PTFE
- Pilot seal** PTFE
- Orifice** Brass - UNI EN 12165 CW617N

**On request:**

- Connector** Pg 9 o Pg 11
- Connector conformity** ISO 4400

**FEATURES:**

- Electrical conformity** IEC 335
- Protection degree** IP 67 EN 60529 (DIN 40050)  
with coil fitted by connector dedicated.

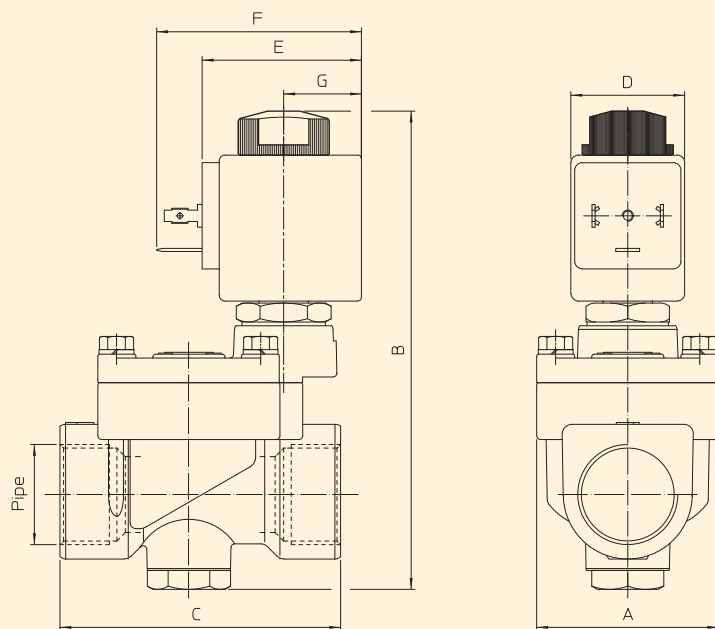
**SPARE PARTS:**

- 1. Coil:** 3/4 NPT Code R453528  
See coils list 1 NPT Code R453534
- 2. Complete plunger:** Code R450897
- 3. Complete armature tube:** 3/4÷1 NPT Code R452553  
Code R450606
- 4. Sealing ring:** 1/2 NPT Code R452607  
3/4 NPT Code R452551  
1 NPT Code R452552
- 5. Gasket cover:** 1/2 NPT Code R452608  
3/4÷1 NPT Code R450858
- 6. Complete piston:** 1/2 NPT Code R453521
- 7. Gasket plug:** 1/2 NPT Code R452609  
3/4÷1 NPT Code R452553

**KIT:**

KT130K730-APGB=2+3+8+9+10+11

**DIMENSIONS:**



Type	Pipe	A mm	B mm	C mm
21YN4K07130-YC	1/2 NPT	40	107	65
21YN5K07190-YC	3/4 NPT	48	120	74
21YN6K07250-YC	1 NPT	62	130	93

COIL TYPE	POWER ABSORPTION	DIMENSIONS			
	W	D mm	E mm	F mm	G mm
B	8	30	42	54	20,5