



Solenoid valve 2/2 way N.O. With pilot control

21WN5ZB190

÷

21WN9ZB500

PRESENTATION:

S.V. with pilot control for interception of fluids compatible with the construction materials.

A minimum operational pressure of 0,2 bar is required.

The materials used and the tests carried out ensure maximum reliability and duration.

USE: Automation
Heating

PIPES: 3/4 NPT - 2 NPT

COIL: 8W - Ø 13
BDA - BSA 155°C (class F)
BDV 180°C (class H)

**COIL HOUSING AND COIL FORMER MATERIAL ARE
MADE BY 100% VIRGIN MATERIAL.**

Max. allowable pressure (PS)
3/4 NPT - 1 NPT 25 bar
1 1/4 NPT - 2 NPT 16 bar

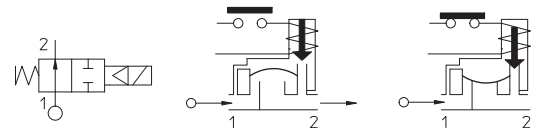
Ambient temperature:

See coils catalogue page for its compatibility.



| Gaskets | Temperature | | Medium |
|--|-------------|---------|--|
| B =NBR (nitrile rubber) | - 10°C | + 90°C | Air, inert gas, water |
| V =FKM (fluoroelastomer) | - 10°C | + 140°C | Mineral oils (2°E), gasoline gas oil, fuel oils (7°E) |
| E =EPDM (ethylene-propylene) | - 10°C | +140°C | Water, low pressure steam |

For seals other than NBR replace the letter "B" with the ones corresponding to the other seals. E.I. 21WN5ZV190.



| Pipe ANSI/ASME Bl.20.1 | Code | Max viscosity | | Ø mm | Kv l/mn | Power watt | Pressure | | |
|------------------------------|------------|---------------|-----|---------|------------|---------------|----------|----------|--------|
| | | cSt | °E | | | | min | M.O.P.D. | |
| | | | | | | | bar | AC bar | DC bar |
| 3/4 NPT | 21WN5ZB190 | 12 | ~ 2 | 19 | 140 | 0,2 | 16 | 16 | |
| 1 NPT | 21WN6ZB250 | | | 25 | 190 | | | | |
| 1 1/4 NPT | 21WN7ZB350 | | | 35 | 400 | | | | |
| 1 1/2 NPT | 21WN8ZB400 | | | 40 | 520 | | | | |
| 2 NPT | 21WN9ZB500 | | | 50 | 750 | | | | |



CE Approval

(Pressure Equipment Directive 2014/68/EU)

for S.V. 21WN5÷21WN7

Note

Available on request and with minimum quantities.

The "ODE" reserves the right to carry out technical and aesthetic modifications without prior notice.

MATERIALS:

| | |
|--------------------------------|---|
| Body | Brass - UNI EN 12165 CW617N |
| Armature tube | Stainless steel AISI series 300 |
| Fixed core | Stainless steel AISI series 400 |
| Plunger | Stainless steel AISI series 400 |
| Phase displacement ring | Copper - Cu 99,9% |
| Spring | Stainless steel AISI series 300 |
| Seal | Standard: B=NBR On request: E=EPDM V=FKM |
| Orifice | Brass - UNI EN 12165 CW617N |

| | |
|-----------------------------|---------------|
| On request: | Pg 9 or Pg 11 |
| Connector | ISO 4400 |
| Connector conformity | |

FEATURES:

| | |
|------------------------------|--|
| Electrical conformity | IEC 335 |
| Protection degree | IP 65 EN 60529 (DIN 40050) with coil fitted by connector. |

SPARE PARTS:

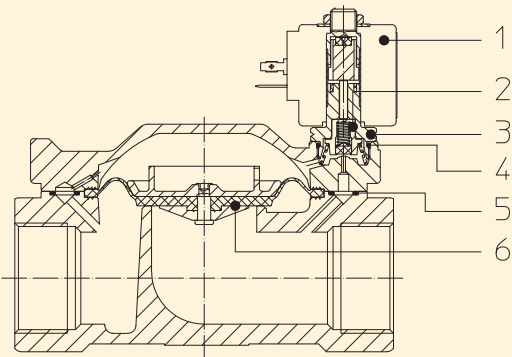
| | | | |
|--|----------------|-------------------------------|--------------------------------|
| 1. Coil: | See coils list | 6. Complete diaphragm: | G 3/4-G 1 Code R450431/B |
| 2. Complete diaphragm support: | Code R450788/B | | G 1 1/4-G 1 1/2 Code R450466/B |
| 3. Complete armature tube without gasket: | Code R450573 | | G 2 Code R450432/B |

KIT:

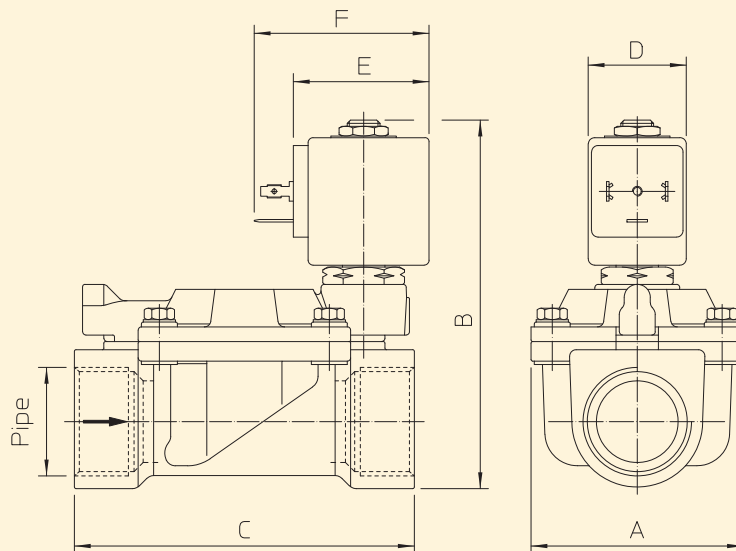
KT130ZB30-F=2+3+4

KIT MANUTENZIONE:

G 3/4 - G 1
KTG0W3ZB19=2+5+6
G 1 1/4 - G 1 1/2
KTG0W5ZB35=2+5+6
G 2
KTG0W7ZB50=2+5+6



DIMENSIONS:



| Type | Pipe | A mm | B mm | C mm |
|------------|-----------|------|------|------|
| 21WN5ZB190 | 3/4 NPT | 65 | 105 | 104 |
| 21WN6ZB250 | 1 NPT | | 112 | |
| 21WN7ZB350 | 1 1/4 NPT | 98 | 125 | 144 |
| 21WN8ZB400 | 1 1/2 NPT | | | |
| 21WN9ZB500 | 2 NPT | 118 | 141 | 172 |

| COIL TYPE | POWER ABSORPTION | | | DIMENSIONI | | |
|-----------|------------------|--------------|----------------|------------|---------|---------|
| | W --- | Hold VA ~ | Inrush VA ~ | D mm | E mm | F mm |
| B | 8 | 14,5 | 25 | 30 | 42 | 54 |